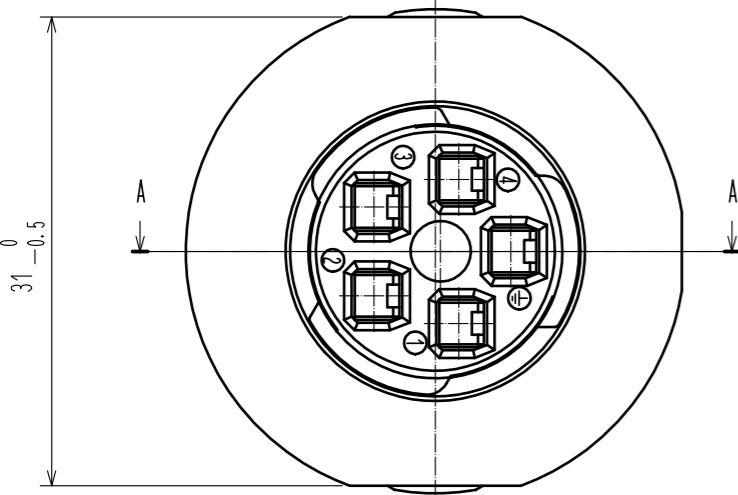
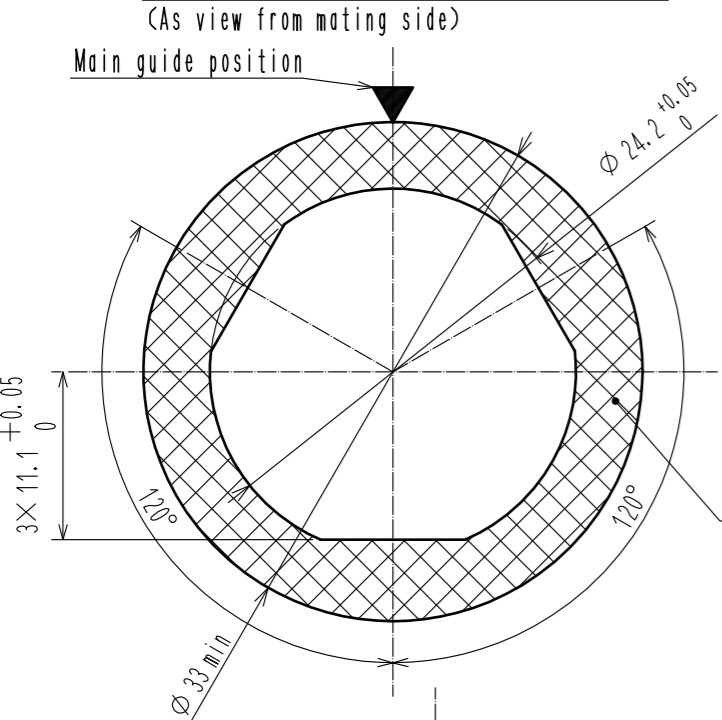
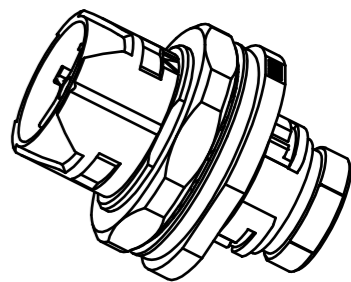
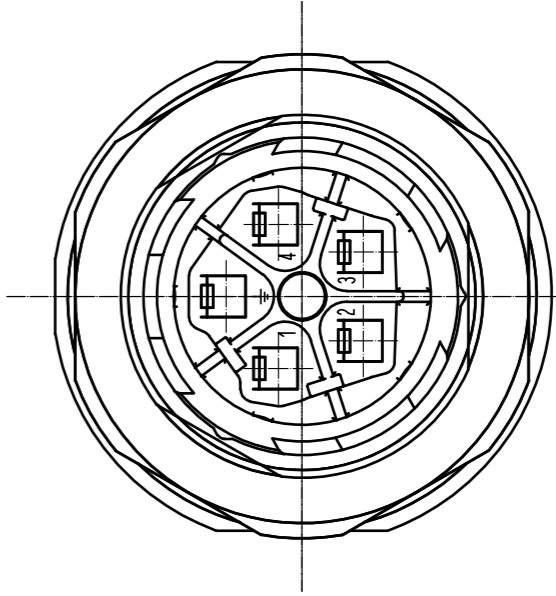
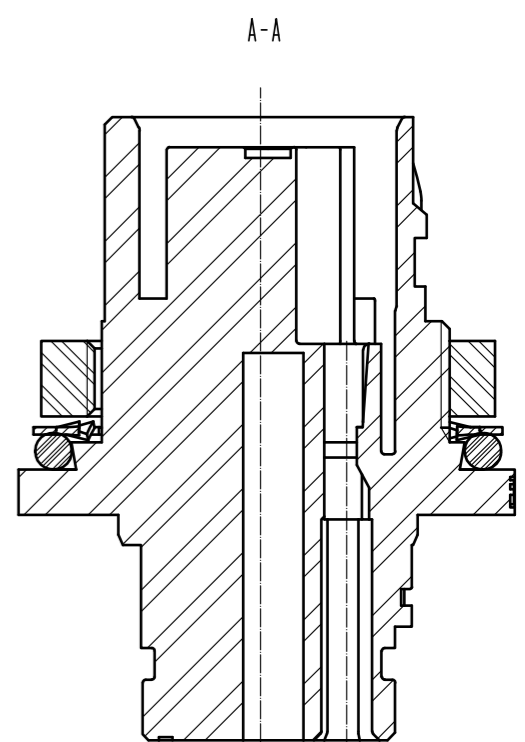
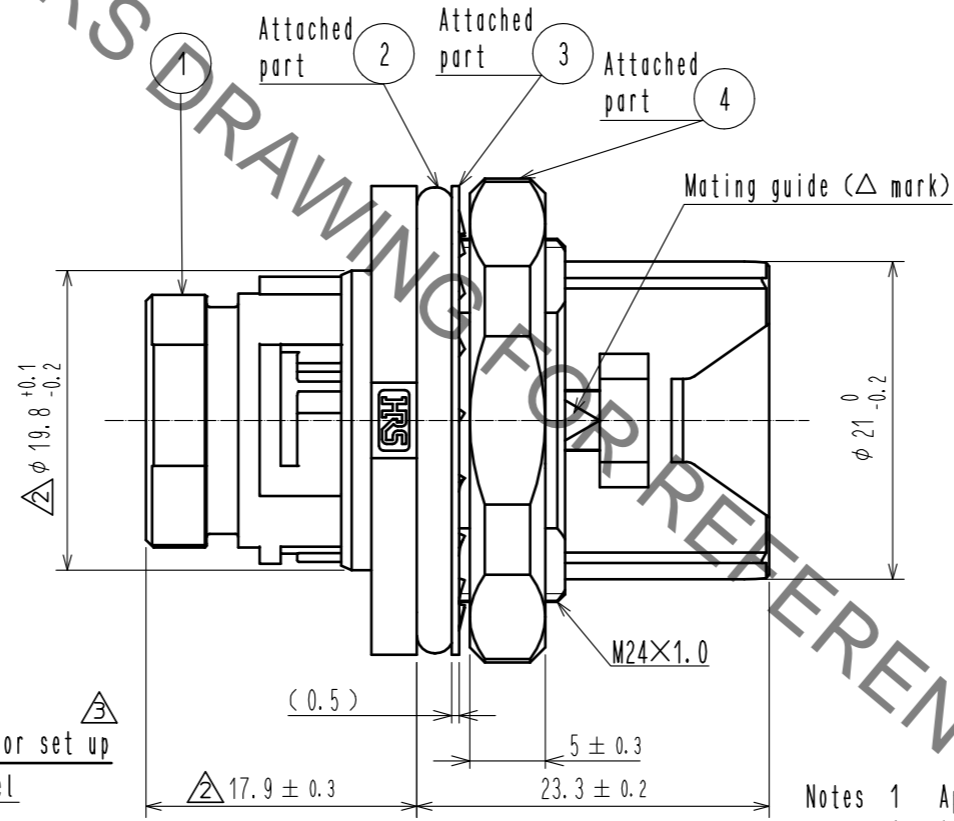
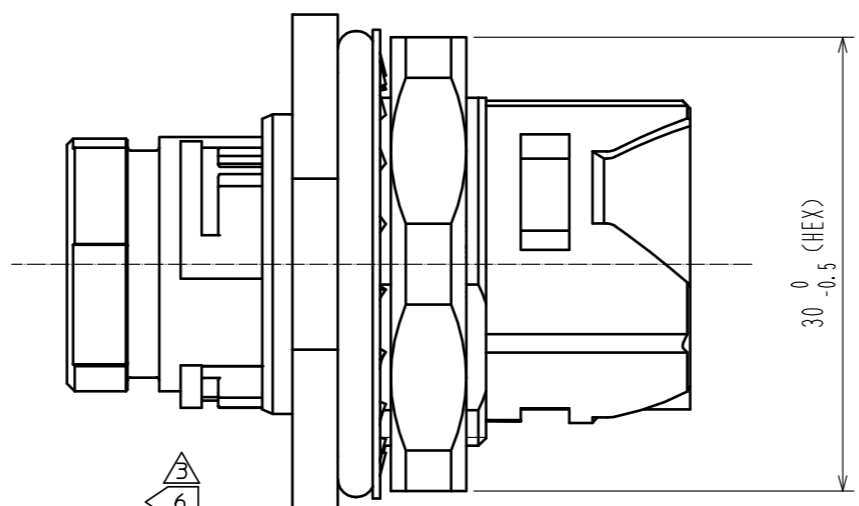
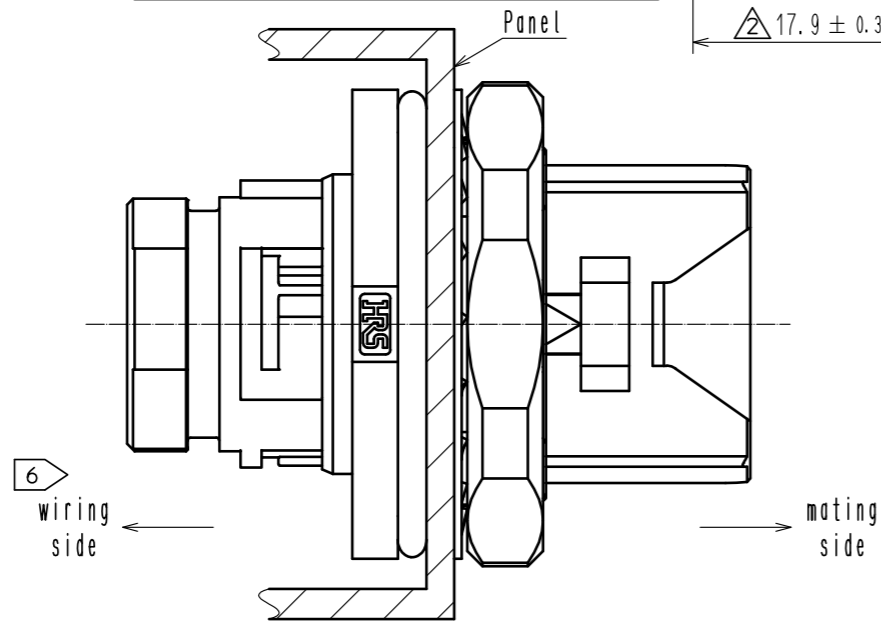


Sep.1.2021 Copyright 2021 HIROSE ELECTRIC CO., LTD. All Rights Reserved.
In case of consideration for using Automotive equipment / device which demand high reliability, kindly contact our sales window correspondents.

4 Fig.1 The recommended panel demension(t=2.0(MAX))
(As view from mating side)



5 Fig.2 The state applicable connector set up



- Notes
- Applicable crimping contact: JRC-PC-112 (CL114-0239-6)
 - Applicable crimp contact extraction tool: HR41A-TP (CL150-0405-7)
 - The recommended tightening torque of Ref.No. ④ to be 3 N·m.
 - Fig.1 shows the recommended panel dimension.
 - Fig.2 shows the state applicable connector set up.
When connector set up, it in order of Ref.No. ②, panel, Ref.No. ③, Ref.No. ④.
Please check Ref.No. ② is properly set at the groove of Ref.No. ①.
While mounting the connector, make sure that Ref.No. ② is not caught.
 - The surface roughness of the cross-hatched part should be applied to the wiring side.

2	Silicone rubber	(Red)	4	PBT	(Black)UL94V-0		
1	PBT	(Black)UL94V-0	3	Stainless steel			
NO.	MATERIAL	FINISH . REMARKS	NO.	MATERIAL	FINISH . REMARKS		
UNITS	mm	SCALE	COUNT	DESCRIPTION OF REVISIONS	DESIGNED	CHECKED	DATE
		2 : 1	3	DIS-C-00004306	SH. KOYAMA	TP. KOMATSU	20201016
APPROVED : SU. OBARA			20130613	DRAWING NO.			EDC3-118141-00
CHECKED : HY. KOBAYASHI			20130613	PART NO.			HR41A-17WBRA-5PC
DESIGNED : HN. TANAKA			20130613	CODE NO.			CL141-0201-6-00
DRAWN : HN. TANAKA			20130613				1/1

X-ON Electronics

Largest Supplier of Electrical and Electronic Components

Click to view similar products for [Standard Circular Connector](#) category:

Click to view products by [Hirose](#) manufacturer:

Other Similar products are found below :

[5M2530B10P](#) [600259N006](#) [600273N007](#) [6134-336-13149](#) [6134-337-11149](#) [6134-337-2390](#) [6134-341-17149](#) [6280-4SG-516](#) [6280-7SG-3DC](#)
[6290](#) [6291A](#) [66200A-10](#) [680-SMG](#) [681-PMG](#) [CXS3102A14S2P](#) [CXS3102A181S](#) [7251-6SG-300](#) [7271-6SG-300](#) [7282-3PG-300-CH3](#) [75-](#)
[474014-05S](#) [75-474618-01S](#) [75-474618-04S](#) [799539-000](#) [MI8-SE](#) [805-005-07NF11-19PC](#) [805-005-07NF15-7PA](#) [8280-4PG-516](#) [8280-7PG-](#)
[519](#) [8282-5PG-519](#) [836783-1](#) [MP-4102-25P-C](#) [862256-1](#) [864019-2](#) [866857-1](#) [867865-1](#) [PT01SP-14-18P](#) [PT08P-14-5S](#) [PTSF06SE-14-12S](#)
[120-1833-000](#) [QCM019PC2DC012B](#) [1-2069279-1](#) [121583-0217](#) [121667-0020](#) [129591AU](#) [1000B BULK](#) [RD10A16-19-P6CS051/1](#)
[RD10A20-31-P8CS051/1](#) [RD16A14-12-S6CS051/2](#) [1301240290](#) [1301240347](#) [1301860202](#)