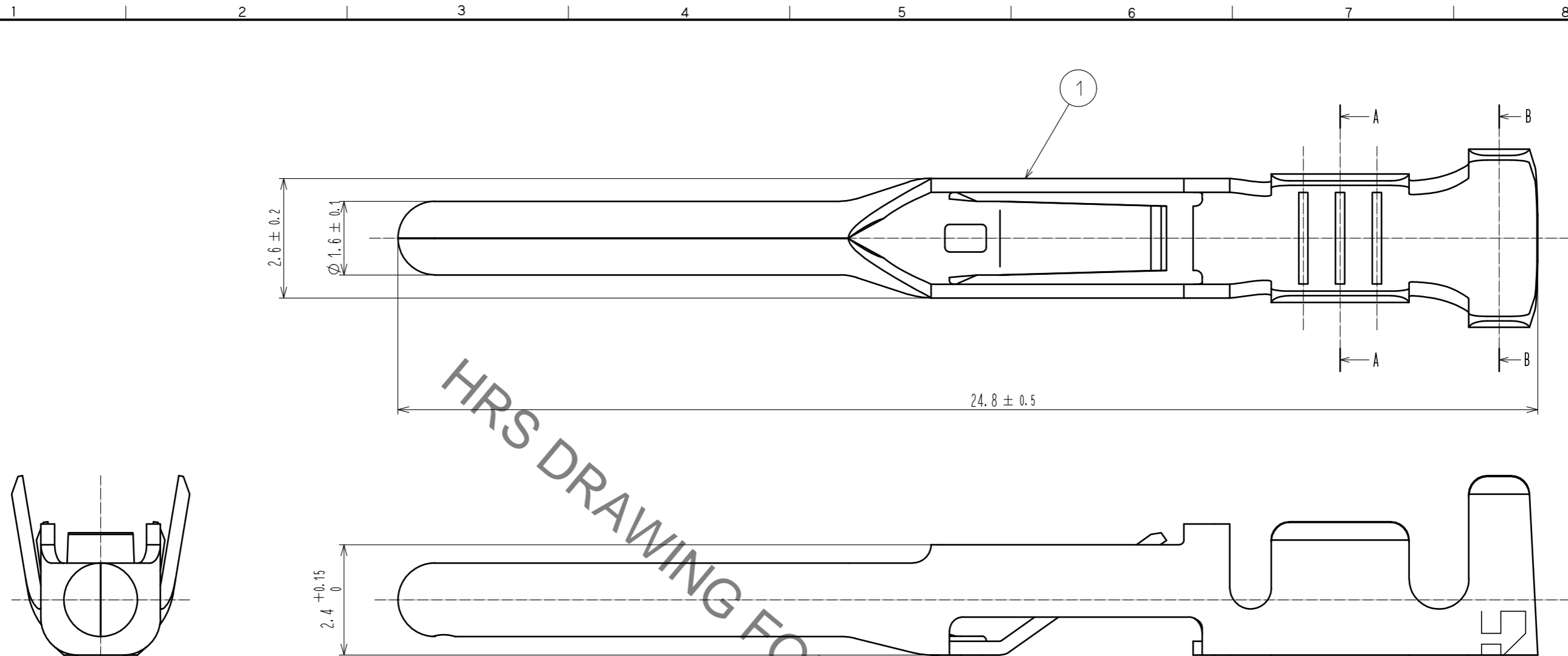
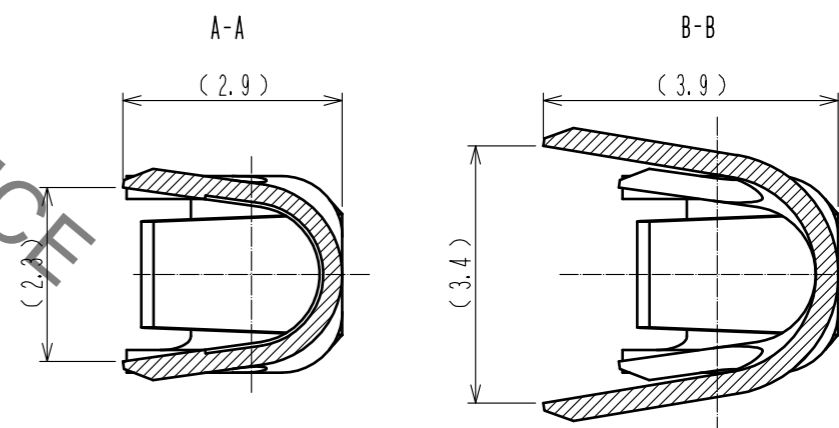


Sep.1.2021 Copyright 2021 HIROSE ELECTRIC CO., LTD. All Rights Reserved.
In case of consideration for using Automotive equipment / device which demand high reliability, kindly contact our sales window correspondents.



- Notes
- 1 This product is apply to the wire #16 to #20.
(Jacket diameter : $\phi 1.9$ to 3.2mm)
 - 2 Applicable crimping tool : HT802/HR41A-11-16 (CL150-0408-5)(Applicable to AWG#16)
HT802/HR41A-11-18 (CL150-0404-4)(Applicable to AWG#18)
HT802/HR41A-11-20 (CL150-0407-2)(Applicable to AWG#20)
 - 3 Applicable extraction tool : HR41A-TP(CL150-0405-7)
 - 4 Per reel : 100 contacts
 - 5 Contact plating : Gold plating $0.76\mu\text{m}$ min.
 - 1 Terminal plating : Tin plating $0.5\mu\text{m}$ min.
Underplating : Nickel plating $2\mu\text{m}$ min.



1	Copper alloy	5						
NO.	MATERIAL	FINISH	REMARKS	NO.	MATERIAL	FINISH	REMARKS	
UNITS		SCALE	COUNT	DESCRIPTION OF REVISIONS		DESIGNED	CHECKED	DATE
mm		10:1	1	DIS-C-00000101		HN. TANAKA	HY. KISHI	15.02.10
HRS HIROSE ELECTRIC CO., LTD.		APPROVED : SU. OBARA	14.05.16	DRAWING NO.		EDC3-118389-00		
		CHECKED : HY. KISHI	14.05.16	PART NO.		HR41A-PC-111		
		DESIGNED : HN. TANAKA	14.05.15	CODE NO.		CL141-0214-8-00		
		DRAWN : HN. TANAKA	14.05.15					

X-ON Electronics

Largest Supplier of Electrical and Electronic Components

Click to view similar products for [Standard Circular Contacts](#) category:

Click to view products by [Hirose](#) manufacturer:

Other Similar products are found below :

[RC16M23J](#) [133780-1](#) [RM20M13D28](#) [RM24M9D28](#) [MS3474W10-6P L/C](#) [164-901-CD](#) [EN3545007SCE](#) [BV002BSQ20049CZ](#)
[BV002SSQ160404CZ](#) [1900ND05S1B00B](#) [192900-0061](#) [192900-0575](#) [166566-1](#) [1900ND04S1X00D](#) [192900-0058](#) [ST-JL05-16S-C3-100](#)
[ST-JL05-20S-C1-100](#) [ST-JL05-20S-C2-100](#) [T01-CRIMP-S03](#) [APK-SA16A07-002](#) [CONT-JL05-08S-C2-10](#) [RC16M-23T](#) [RFD26L-1D28](#)
[BV002ASJ16049CW](#) [JN1-22-20S-R-PKG100](#) [031-50565](#) [ELFH08251](#) [SJS861301M](#) [ST-JL05-16S-C1-100](#) [ST-JL05-20P-C1-100](#) [82911466K](#)
[ESLM03200](#) [192991-0087](#) [192900-0570](#) [ELFH07251](#) [44-104-10003-02](#) [T3P16FC3LZ](#) [ST-JL05-16S-C2-3500](#) [ZP-4016-10NF](#) [CONT-JL05-](#)
[12P-C1-10](#) [RM20M12G8D28](#) [031-50676](#) [12115010110](#) [RJFTVC2MG](#) [CAP-DACMDPC2](#) [031-50675-002](#) [CAP-DD1FDPC2](#) [CAP-](#)
[DACMDPC1](#) [031-50966-010](#) [ASSP-10-F-A-C-SA](#)