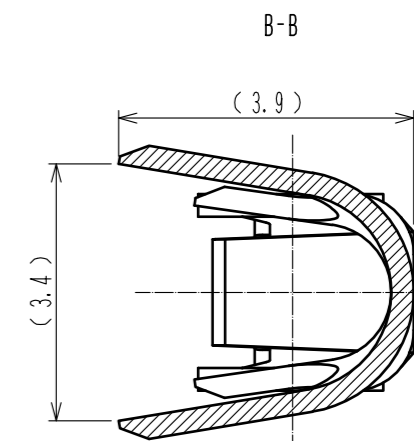
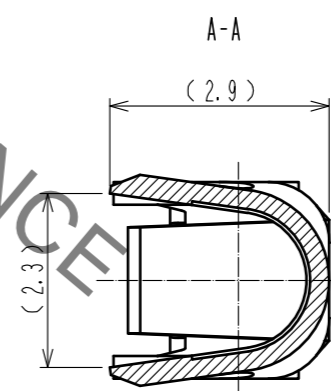
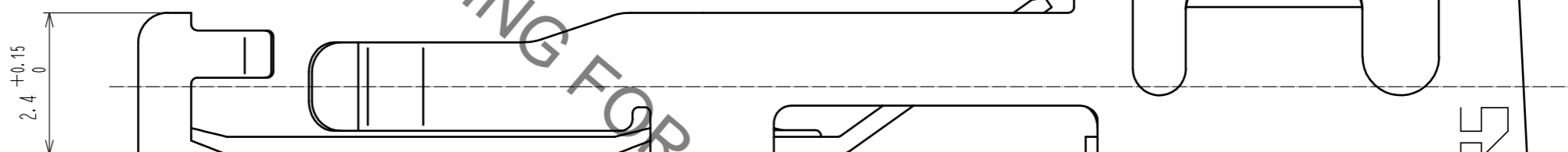
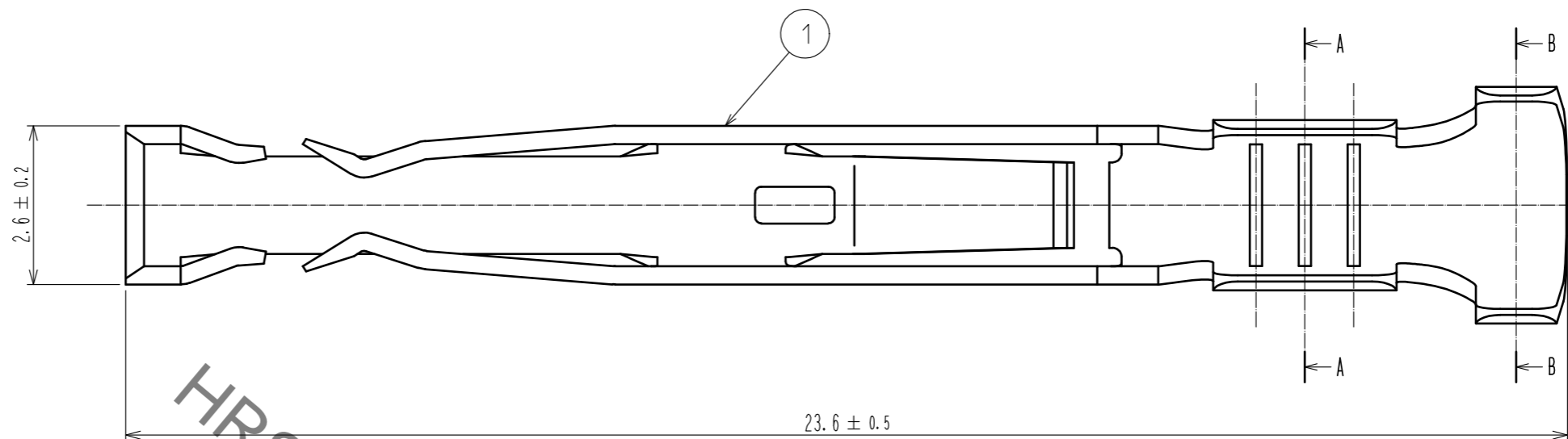
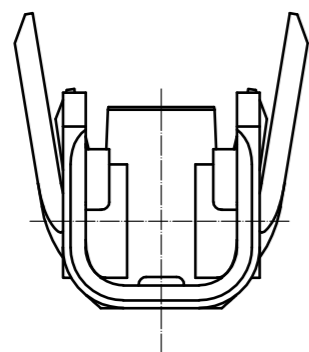


Sep.1.2021 Copyright 2021 HIROSE ELECTRIC CO., LTD. All Rights Reserved.  
In case of consideration for using Automotive equipment / device which demand high reliability, kindly contact our sales window correspondents.



- Notes
- 1 This product is apply to the wire #16 to #20.  
(Jacket diameter :  $\phi$ 1.9 to 3.2mm)
  - 2 Applicable crimping tool : HT802/HR41A-11-16 (CL150-0408-5)(Applicable to AWG#16)  
HT802/HR41A-11-18 (CL150-0404-4)(Applicable to AWG#18)  
HT802/HR41A-11-20 (CL150-0407-2)(Applicable to AWG#20)
  - 3 Applicable extraction tool : HR41A-TP(CL150-0405-7)
  - 4 Per reel : 100 contacts
  - 5 Contact plating : Gold plating 0.76 $\mu$ m min.
  - 1 Terminal plating : Tin plating 0.5 $\mu$ m min.  
Underplating : Nickel plating 2 $\mu$ m min.

1	Copper alloy	5						
NO.	MATERIAL	FINISH .	REMARKS	NO.	MATERIAL	FINISH .	REMARKS	
UNITS		SCALE	COUNT	DESCRIPTION OF REVISIONS		DESIGNED	CHECKED	DATE
mm		10 : 1	1	DIS-C-00000101		HN. TANAKA	HY. KISHI	15. 02. 10
<b>HRS</b> HIROSE ELECTRIC CO., LTD.		APPROVED : SU. OBARA	14. 05. 16	DRAWING NO.		EDC3-118388-00		
		CHECKED : HY. KISHI	14. 05. 16	PART NO.		HR41A-SC-111		
		DESIGNED : HN. TANAKA	14. 05. 15	CODE NO.		CL141-0213-5-00		
		DRAWN : HN. TANAKA	14. 05. 15					

## X-ON Electronics

Largest Supplier of Electrical and Electronic Components

*Click to view similar products for [Standard Circular Contacts](#) category:*

*Click to view products by [Hirose](#) manufacturer:*

Other Similar products are found below :

[RC16M23J](#) [133780-1](#) [RM20M13D28](#) [RM24M9D28](#) [RMMX110-1D28](#) [MS3474W10-6P L/C](#) [ELVP16100E](#) [164-901-CD](#) [EN3545007SCE](#)  
[BV002BSQ20049CZ](#) [BV002SSQ160404CZ](#) [BV002SSQ200404CZ](#) [1900ND05S1B00B](#) [192900-0061](#) [192900-0427](#) [192900-0430](#) [166566-1](#)  
[1900ND04S1X00D](#) [192900-0058](#) [ST-JL05-16S-C3-100](#) [ST-JL05-20S-C1-100](#) [ST-JL05-20S-C2-100](#) [T01-CRIMP-S03](#) [APK-SA16A07-002](#)  
[27963-15T12](#) [CONT-JL05-08S-C2-10](#) [CONT-JL05-12S-C1-10](#) [RC16M-23T](#) [RFD26L-1D28](#) [BV002ASJ16049CW](#) [33505815019](#) [JN1-22-](#)  
[20S-R-PKG100](#) [031-50565](#) [ELFH08251](#) [SJS861301M](#) [ST-JL05-16S-C1-100](#) [ST-JL05-20P-C1-100](#) [82911466K](#) [ESLM03200](#) [192991-0087](#)  
[192900-0570](#) [ELFH07251](#) [44-104-10003-02](#) [T3P16FC3LZ](#) [ST-JL05-16S-C2-3500](#) [ZP-4016-10NF](#) [CONT-JL05-12P-C1-10](#)  
[RM20M12G8D28](#) [031-50676](#) [12115010110](#)