

Sep.1.2021 Copyright 2021 HIROSE ELECTRIC CO., LTD. All Rights Reserved.  
 In case of consideration for using Automotive equipment / device which demand high reliability, kindly contact our sales window correspondents.

1 2 3 4

A

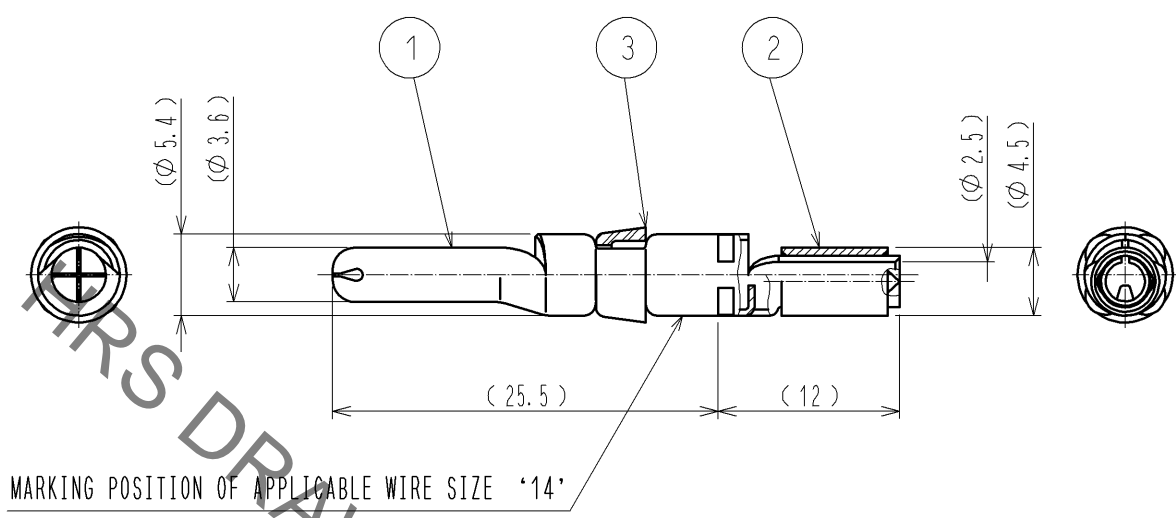
B

C

D

E

F



- NOTES
- 1 APPLICABLE CRIMPING TOOL: JIS C 9711 (COMPRESSION TOOLS FOR WIRE CONNECTORS OF INTERIOR WIRING)  
 APPLICABLE DIE SIZE: 2
  - 2 APPLICABLE EXTRACTION TOOL: HR41-TP
  - 3 ONE BAG INCLUDES 3PCS OF PRODUCTS.
  - 4 PLATING (REF. NO. ①)  
 CONTACT PLATING: GOLD 0.2 μm min.  
 TERMINAL AREA: TIN 1 μm min.  
 OTHERS: NICKEL 2 μm min.
- ⚠ (DELETED)

2	COPPER	TIN PLATING						
1	COPPER ALLOY	4	3	POLYBUTYLENE TEREPHTHALATE (WHITE) UL94V-0				
NO.	MATERIAL	FINISH .	REMARKS	NO.	MATERIAL	FINISH .	REMARKS	
UNITS mm		SCALE 2 : 1	COUNT 1	DESCRIPTION OF REVISIONS DIS-C-002929		DESIGNED KN. IKEHARA	CHECKED HY. KOBAYASHI	DATE 13. 09. 26
HIROSE ELECTRIC CO., LTD.		APPROVED : SU. OBARA	13. 01. 18	DRAWING NO. EDC4-117550-00				
		CHECKED : HY. KOBAYASHI	13. 01. 18	PART NO. HR41-PC-121				
		DESIGNED : TY. SUZUKI	13. 01. 18	CODE NO. CL141-0004-5-00				
		DRAWN : KN. IKEHARA	13. 01. 15	1/1				

## X-ON Electronics

Largest Supplier of Electrical and Electronic Components

*Click to view similar products for [Standard Circular Contacts](#) category:*

*Click to view products by [Hirose](#) manufacturer:*

Other Similar products are found below :

[RC16M23J](#) [133780-1](#) [RM20M13D28](#) [RM24M9D28](#) [MS3474W10-6P L/C](#) [164-901-CD](#) [EN3545007SCE](#) [BV002BSQ20049CZ](#)  
[BV002SSQ160404CZ](#) [1900ND05S1B00B](#) [192900-0061](#) [192900-0575](#) [192900-0718](#) [166566-1](#) [1900ND04S1X00D](#) [192900-0058](#) [ST-JL05-16S-C3-100](#) [ST-JL05-20S-C1-100](#) [ST-JL05-20S-C2-100](#) [T01-CRIMP-S03](#) [APK-SA16A07-002](#) [CONT-JL05-08S-C2-10](#) [RC16M-23T](#)  
[RFD26L-1D28](#) [BV002ASJ16049CW](#) [JN1-22-20S-R-PKG100](#) [031-50565](#) [ELFH08251](#) [SJS861301M](#) [ST-JL05-16S-C1-100](#) [ST-JL05-20P-C1-100](#) [82911466K](#) [ESLM03200](#) [192991-0087](#) [192900-0570](#) [ELFH07251](#) [44-104-10003-02](#) [T3P16FC3LZ](#) [ST-JL05-16S-C2-3500](#) [ZP-4016-10NF](#) [CONT-JL05-12P-C1-10](#) [RM20M12G8D28](#) [031-50676](#) [12115010110](#) [RJFTVC2MG](#) [CAP-DACMDPC2](#) [031-50675-002](#) [CAP-DD1FDPC2](#) [CAP-DACMDPC1](#) [031-50966-010](#)