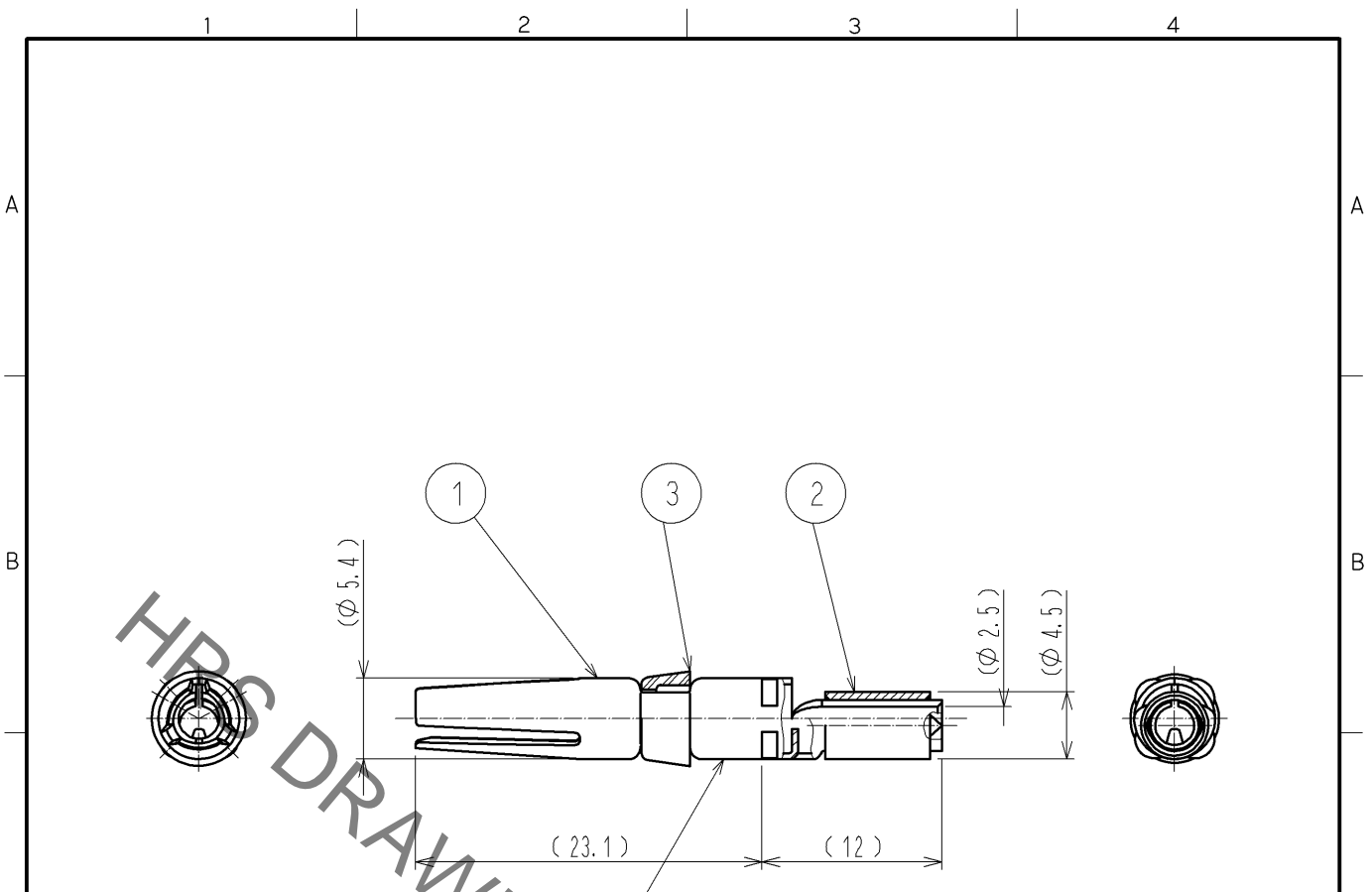


Sep.1.2021 Copyright 2021 HIROSE ELECTRIC CO., LTD. All Rights Reserved.
 In case of consideration for using Automotive equipment / device which demand high reliability, kindly contact our sales window correspondents.



MARKING POSITION OF APPLICABLE WIRE SIZE '14'

- NOTES
- 1 APPLICABLE CRIMPING TOOL: JIS C 9711 (COMPRESSION TOOLS FOR WIRE CONNECTORS OF INTERIOR WIRING)
 APPLICABLE DIE SIZE: 2
 - 2 APPLICABLE EXTRACTION TOOL: HR41-TP
 - 3 ONE BAG INCLUDES 3PCS OF PRODUCTS.
 - 4 PLATING (REF. NO. ①)
 CONTACT AREA: GOLD 0.76 μm min.
 TERMINAL AREA: TIN 1 μm min.
 - ① OTHERS: NIKEL 2 μm min.

2	COPPER	TIN PLATING						
1	COPPER ALLOY	4	3	POLYBUTYLENE TEREPHTHALATE (WHITE) UL94V-0				
NO.	MATERIAL	FINISH	REMARKS	NO.	MATERIAL	FINISH	REMARKS	
UNITS mm		SCALE 2 : 1	COUNT 1	DESCRIPTION OF REVISIONS DIS-C-002929		DESIGNED KN. IKEHARA	CHECKED HY. KOBAYASHI	DATE 13. 09. 26
HIROSE ELECTRIC CO., LTD.		APPROVED : SU. OBARA	11. 09. 01	DRAWING NO.		EDC4-117549-01		
		CHECKED : HY. KOBAYASHI	11. 09. 01	PART NO.		HR41-SC-121(01)		
		DESIGNED : HT. ZENBA	11. 08. 30	CODE NO.		CL141-0003-2-01		
		DRAWN : HT. ZENBA	11. 08. 30			1/1		

X-ON Electronics

Largest Supplier of Electrical and Electronic Components

Click to view similar products for [Standard Circular Contacts](#) category:

Click to view products by [Hirose](#) manufacturer:

Other Similar products are found below :

[RC16M23J](#) [133780-1](#) [RM20M13D28](#) [RM24M9D28](#) [MS3474W10-6P L/C](#) [164-901-CD](#) [EN3545007SCE](#) [BV002BSQ20049CZ](#)
[BV002SSQ160404CZ](#) [1900ND05S1B00B](#) [192900-0061](#) [192900-0575](#) [166566-1](#) [1900ND04S1X00D](#) [192900-0058](#) [ST-JL05-16S-C3-100](#)
[ST-JL05-20S-C1-100](#) [ST-JL05-20S-C2-100](#) [T01-CRIMP-S03](#) [APK-SA16A07-002](#) [CONT-JL05-08S-C2-10](#) [RC16M-23T](#) [RFD26L-1D28](#)
[BV002ASJ16049CW](#) [JN1-22-20S-R-PKG100](#) [031-50565](#) [ELFH08251](#) [SJS861301M](#) [ST-JL05-16S-C1-100](#) [ST-JL05-20P-C1-100](#) [82911466K](#)
[ESLM03200](#) [192991-0087](#) [192900-0570](#) [ELFH07251](#) [44-104-10003-02](#) [T3P16FC3LZ](#) [ST-JL05-16S-C2-3500](#) [ZP-4016-10NF](#) [CONT-JL05-](#)
[12P-C1-10](#) [RM20M12G8D28](#) [031-50676](#) [12115010110](#) [RJFTVC2MG](#) [CAP-DACMDPC2](#) [031-50675-002](#) [CAP-DD1FDPC2](#) [CAP-](#)
[DACMDPC1](#) [031-50966-010](#) [ASSP-10-F-A-C-SA](#)