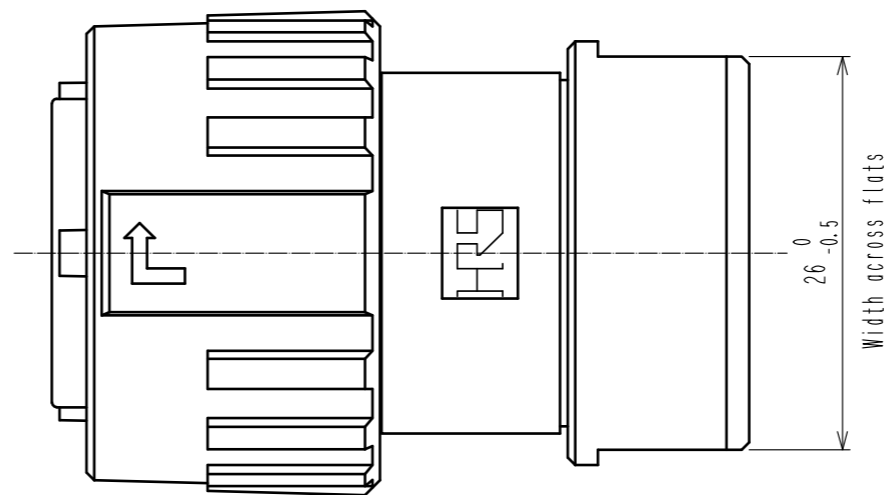
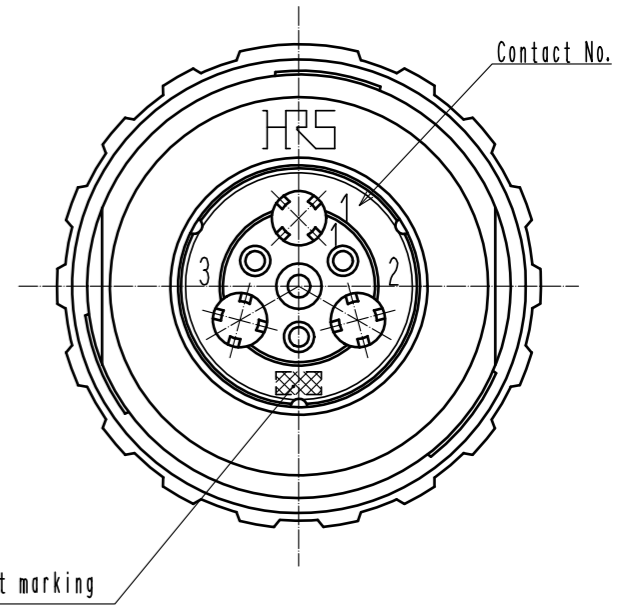
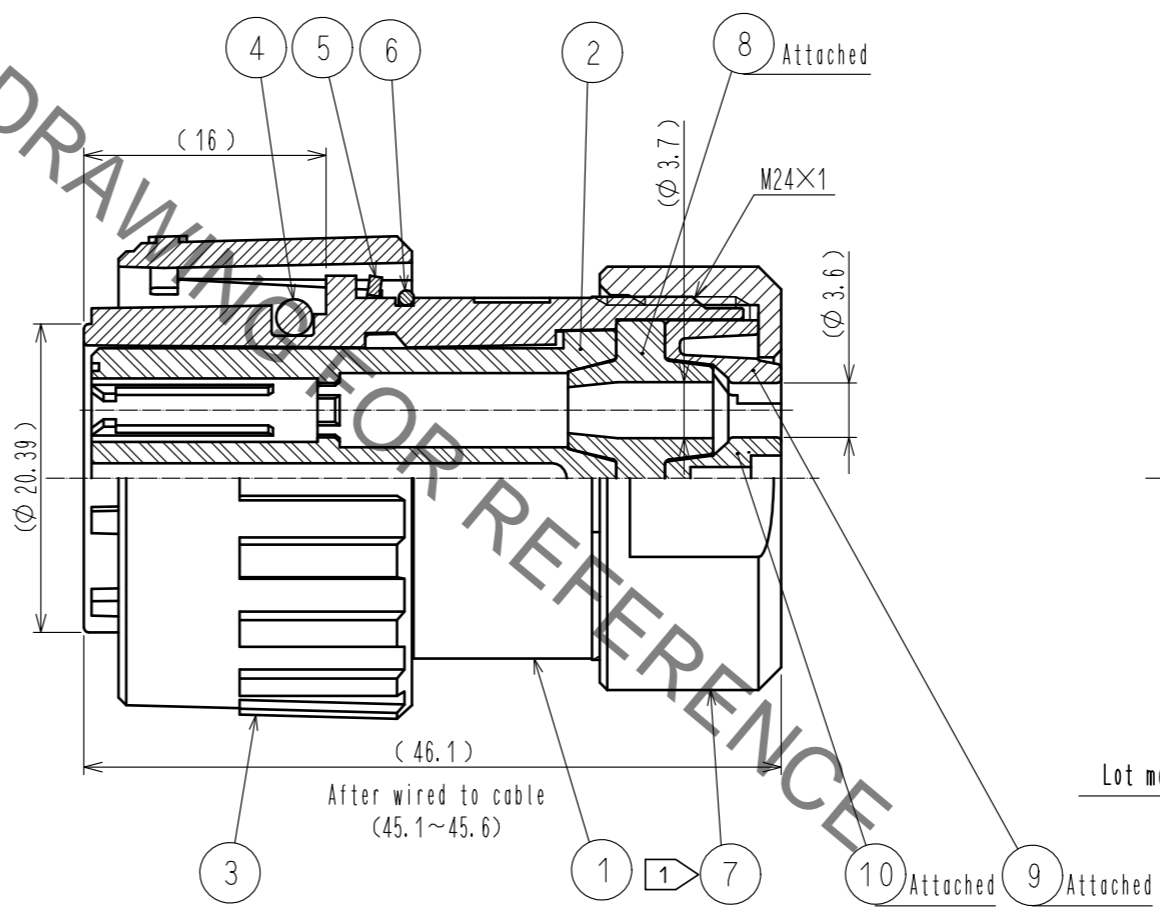
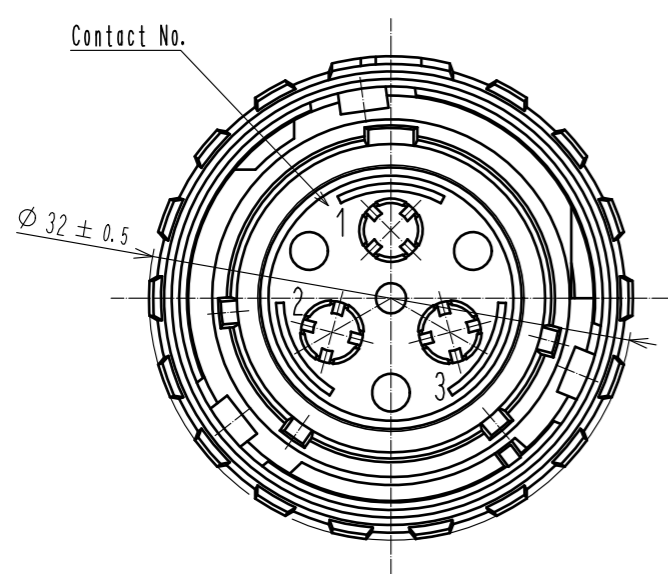


May.1.2021 Copyright 2021 HIROSE ELECTRIC CO., LTD. All Rights Reserved.
In case of consideration for using Automotive equipment / device which demand high reliability, kindly contact our sales window correspondents.



Applicable crimp contact	
HR43-SC-111	CL143-0003-5-00



- Notes
- ① The recommended tightening torque of REF. No. ⑦ : 7 to 7.5 N·m.
Thread locker to the threaded portion of REF. No. ⑦ is recommended to prevent loosening.
The recommended thread locker : LOCTITE 243, HENKEL JAPAN CO, LTD.
 - ② Rotation examples are shown for REF. No. ①, ③, ⑤ and ⑦.
 - ③ The cable pull and twisting strength, waterproof tightness, and other characteristics may differ, depending on the cable structure, please confirm before the use.
 - ④ Applicable mating connector : HR43-21WBJ-3PC (CL143-0002-2).

NO.	MATERIAL	FINISH . REMARKS	NO.	MATERIAL	FINISH . REMARKS
5	Stainless steel		10	PBT	Black
4	Silicone rubber	Black	9	PBT	Black
3	Aluminum alloy	Chrome plating	8	Silicone rubber	Black
2	PBT	Black	7	Aluminum alloy	Chrome plating
1	Aluminum alloy	Chrome plating	6	Stainless steel	

UNITS	SCALE	COUNT	DESCRIPTION OF REVISIONS	DESIGNED	CHECKED	DATE
mm	2 : 1	△				
APPROVED : HY. KOBAYASHI			16.04.01	DRAWING NO. EDC-117729-00-00		
CHECKED : HY. KOBAYASHI			16.04.01	PART NO. HR43-21WBP-3SC		
DESIGNED : TH. KAMEYA			16.03.31	CODE NO. CL143-0001-0-00		
DRAWN : TH. KAMEYA			16.03.31	△ 1/1		

X-ON Electronics

Largest Supplier of Electrical and Electronic Components

Click to view similar products for [Standard Circular Connector](#) category:

Click to view products by [Hirose](#) manufacturer:

Other Similar products are found below :

[5M2530B10P](#) [600259N006](#) [600273N007](#) [6134-336-13149](#) [6134-337-11149](#) [6134-337-2390](#) [6134-341-17149](#) [6280-4SG-516](#) [6280-7SG-3DC](#)
[6290](#) [6291A](#) [66200A-10](#) [680-SMG](#) [681-PMG](#) [CXS3102A14S2P](#) [CXS3102A181S](#) [7251-6SG-300](#) [7271-6SG-300](#) [7282-3PG-300-CH3](#) [75-](#)
[474014-05S](#) [75-474618-01S](#) [75-474618-04P](#) [75-474618-04S](#) [799539-000](#) [MI8-SE](#) [805-005-07NF11-19PC](#) [805-005-07NF15-7PA](#) [8280-4PG-](#)
[516](#) [8280-7PG-519](#) [8282-5PG-519](#) [836783-1](#) [MP-4102-25P-C](#) [862256-1](#) [864019-2](#) [866857-1](#) [867865-1](#) [PT01SP-14-18P](#) [PT08P-14-5S](#)
[PTSF06SE-14-12S](#) [120-1833-000](#) [QCM019PC2DC012B](#) [1-2069279-1](#) [121583-0217](#) [121667-0020](#) [129591AU](#) [1000B BULK](#) [RD10A16-19-](#)
[P6CS051/1](#) [RD10A20-31-P8CS051/1](#) [RD16A14-12-S6CS051/2](#) [1301240290](#) [1301240347](#)