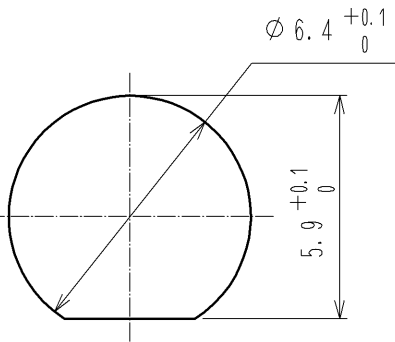
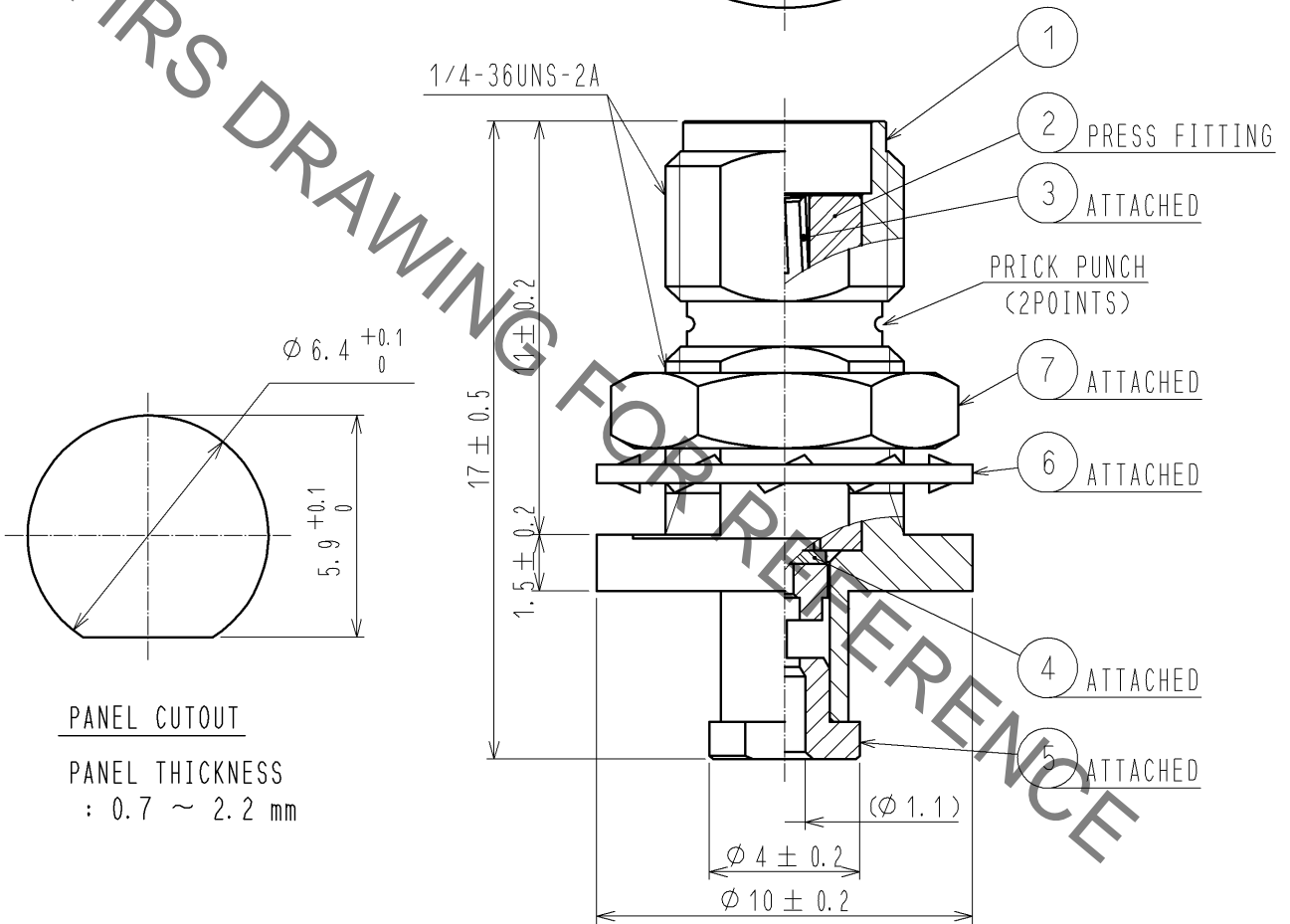
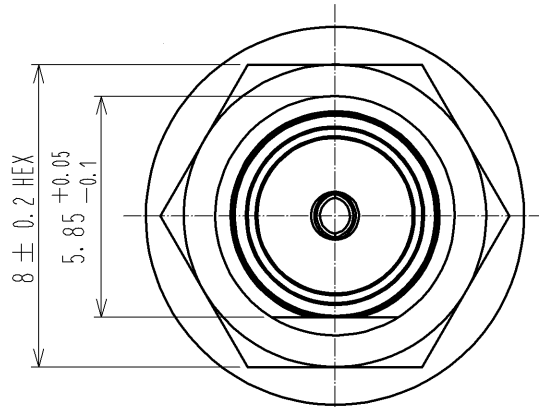


Sep.1.2021 Copyright 2021 HIROSE ELECTRIC CO., LTD. All Rights Reserved.
In case of consideration for using Automotive equipment / device which demand high reliability, kindly contact our sales window correspondents.

CABLE ASSEMBLY TOOL
 FOR SOLDERING : HRM-200/SO-MD
 FOR PRESS FITTING : HRM-200-BPJBN/CV-MD



PANEL CUTOUT
 PANEL THICKNESS
 : 0.7 ~ 2.2 mm

RoHS COMPLIANT

4	PTFE		7	BRASS	NICKEL PLATING
3	BERYLLIUM COPPER	GOLD PLATING	6	PHOSPHOR BRONZE	NICKEL PLATING
2	PTFE		5	BRASS	GOLD PLATING
1	BRASS	NICKEL PLATING			
NO.	MATERIAL	FINISH . REMARKS	NO.	MATERIAL	FINISH . REMARKS

UNITS mm		SCALE 5 : 1	COUNT 	DESCRIPTION OF REVISIONS	DESIGNED	CHECKED	DATE
-------------	--	----------------	-----------	--------------------------	----------	---------	------

HRS HIROSE ELECTRIC CO., LTD.	APPROVED : TS. NOBE	11. 09. 24	DRAWING NO.	EDC4-305111-40	
	CHECKED : NK. NINOMIYA	11. 09. 23	PART NO.	HRM-200-040BPJBN<40>	
	DESIGNED : YI. FUNADA	11. 09. 23	CODE NO.	CL323-0797-2-40	
	DRAWN : YI. FUNADA	11. 09. 23			1/1

X-ON Electronics

Largest Supplier of Electrical and Electronic Components

Click to view similar products for [RF Connectors / Coaxial Connectors](#) category:

Click to view products by [Hirose](#) manufacturer:

Other Similar products are found below :

[8915-1511-000](#) [89674-0827](#) [6001-7071-019](#) [6002-7051-003](#) [6002-7551-202](#) [6059674-1](#) [619550-1](#) [630059-000](#) [M39030/3-01N](#) [6500-7071-046](#) [6769](#) [CX050L2AQ](#) [7002-1542-011](#) [7004-1512-000](#) [7009-1511-004](#) [7010-1511-000](#) [7029-1511-060](#) [7101-1541-010](#) [7101-1571-002](#) [7105-1521-002](#) [7145-1521-002](#) [7203-1571-003](#) [7209-1511-011](#) [7210-1511-015](#) [7210-1511-019](#) [73137-5015](#) [73216-2241](#) [7325-1512-000](#) [73404-2300](#) [7405-1521-005](#) [7405-1521-802](#) [7406-1521-005](#) [8527](#) [8547](#) [FS11V](#) [8808-1511-001](#) [9049-9513-000](#) [9074-9513-000](#) [9101-9573-002](#) [910A205F](#) [9130-9573-002](#) [PL11SC-026](#) [PL375-33](#) [PL40-5](#) [PL71-9](#) [PL74C-221](#) [PL75MC-217](#) [PL803-7](#) [980-8666-005](#) [1200690078](#)