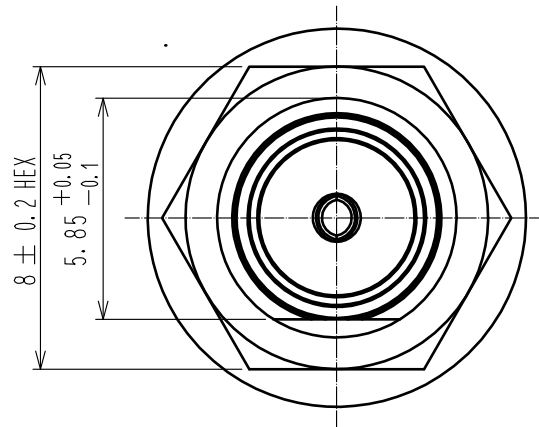


Sep.1.2021 Copyright 2021 HIROSE ELECTRIC CO., LTD. All Rights Reserved.
In case of consideration for using Automotive equipment / device which demand high reliability, kindly contact our sales window correspondents.

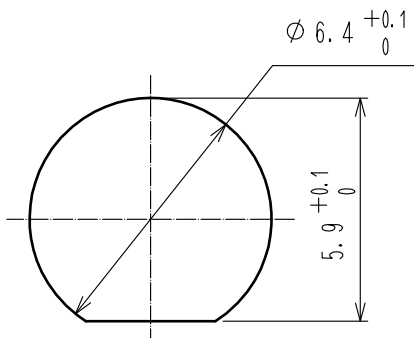
CABLE ASSEMBLY TOOL

FOR SOLDERING : HRM-200/SO-MD

FOR PRESS FITTING : HRM-200-BPJBN/CV-MD

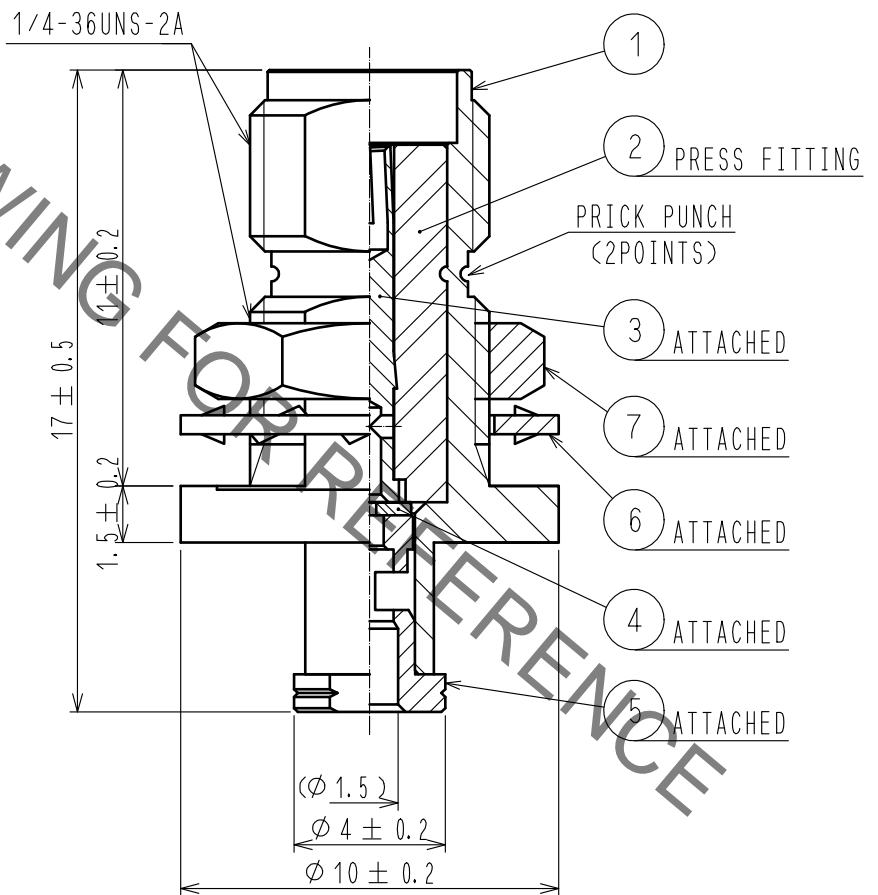


HRS DRAWING FOR REFERENCE



PANEL CUTOUT

PANEL THICKNESS : 0.7 ~ 2.2 mm



4	PTFE					
3	BERYLLIUM COPPER	GOLD PLATING	7	BRASS	NICKEL PLATING	
2	PTFE		6	BRASS Δ	NICKEL PLATING	
1	BRASS	NICKEL PLATING	5	BRASS	GOLD PLATING	
NO.	MATERIAL	FINISH . REMARKS	NO.	MATERIAL	FINISH . REMARKS	

UNITS mm		SCALE 5 : 1	COUNT Δ 1	DESCRIPTION OF REVISIONS DIS-D-00004170	DESIGNED NK. OOSAWA	CHECKED TO. KATAYAMA	DATE 20190619
-------------	--	----------------	---------------------	--	------------------------	-------------------------	------------------

HRS HIROSE ELECTRIC CO., LTD.	APPROVED : IJ. MITANI	20060325	DRAWING NO.	EDC-305112-40-40	
	CHECKED : MH. YAMANE	20060325	PART NO.	HRM-200-066BPJBN(40)	
	DESIGNED : TS. NOBE	20060325	CODE NO.	CL323-0798-5-40	Δ 1/1
	DRAWN : HS. TAKEUCHI	20060316			

X-ON Electronics

Largest Supplier of Electrical and Electronic Components

Click to view similar products for [RF Connectors / Coaxial Connectors](#) category:

Click to view products by [Hirose](#) manufacturer:

Other Similar products are found below :

[8915-1511-000](#) [89674-0827](#) [6001-7071-019](#) [6002-7051-003](#) [6002-7551-202](#) [6059674-1](#) [619550-1](#) [630059-000](#) [M39030/3-01N](#) [6500-7071-046](#) [6769](#) [CX050L2AQ](#) [7002-1542-011](#) [7004-1512-000](#) [7009-1511-004](#) [7010-1511-000](#) [7029-1511-060](#) [7101-1541-010](#) [7101-1571-002](#) [7105-1521-002](#) [7145-1521-002](#) [7203-1571-003](#) [7209-1511-011](#) [7210-1511-015](#) [7210-1511-019](#) [73137-5015](#) [73216-2241](#) [7325-1512-000](#) [73404-2300](#) [7405-1521-005](#) [7405-1521-802](#) [7406-1521-005](#) [8527](#) [8547](#) [FS11V](#) [8808-1511-001](#) [9049-9513-000](#) [9074-9513-000](#) [9101-9573-002](#) [910A205F](#) [9130-9573-002](#) [PL11SC-026](#) [PL375-33](#) [PL40-5](#) [PL71-9](#) [PL74C-221](#) [PL75MC-217](#) [PL803-7](#) [980-8666-005](#) [1200690078](#)