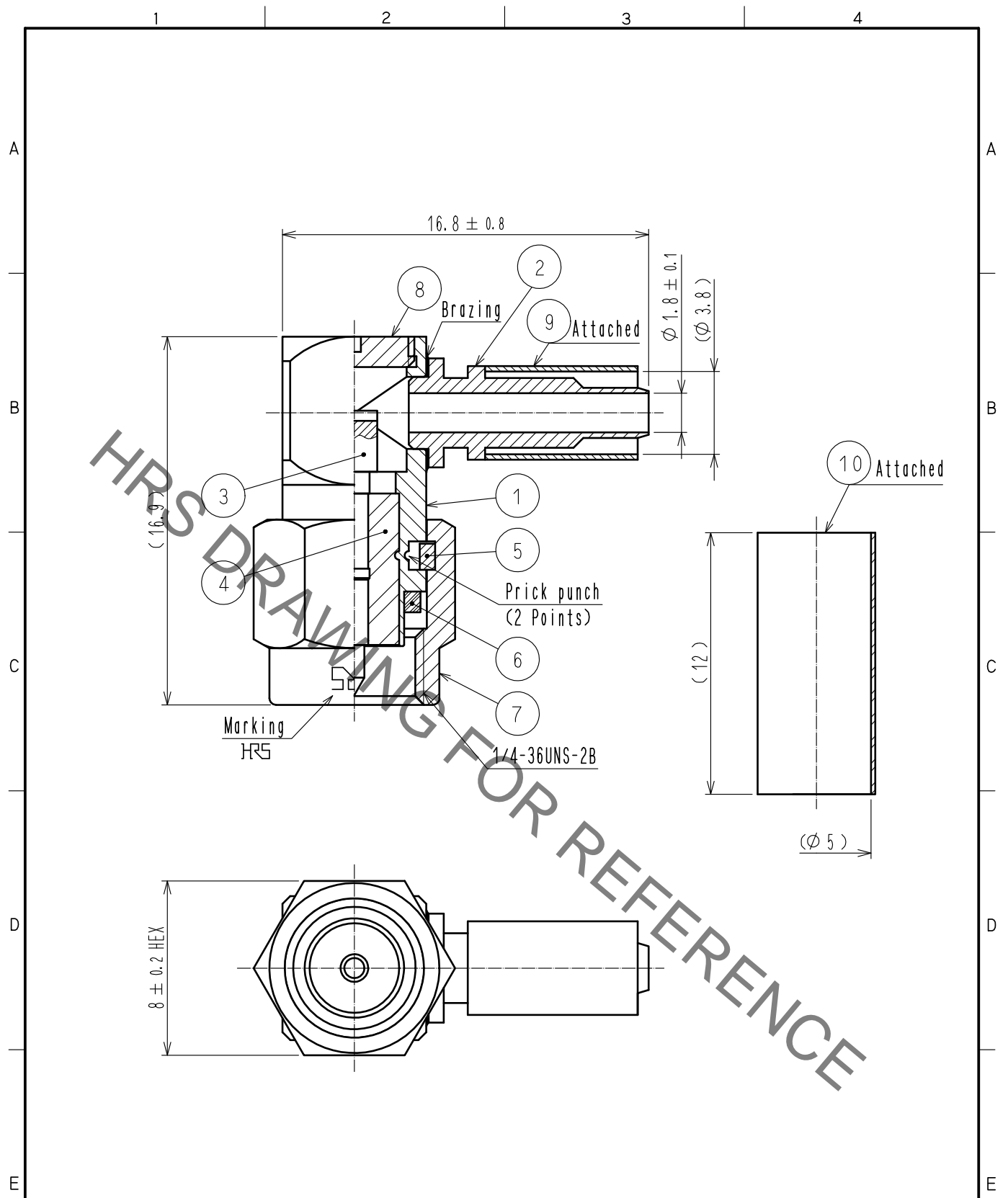


Jun.1.2023 Copyright 2023 HIROSE ELECTRIC CO., LTD. All Rights Reserved.
In case of consideration for using Automotive equipment / device which demand high reliability, kindly contact our sales window correspondents.



NO.	MATERIAL	FINISH .	REMARKS	NO.	MATERIAL	FINISH .	REMARKS
5	BERYLLIUM COPPER	NICKEL PLATING		10	POLYOLEFIN	HEAT SHRINK TUBING (GRAY)	
4	PTFE			9	COPPER	NICKEL PLATING	
3	BRASS	GOLD PLATING		8	BRASS	NICKEL PLATING	
2	STAINLESS STEEL	NICKEL PLATING		7	STAINLESS STEEL	PASSIVATE	
1	STAINLESS STEEL	NICKEL PLATING		6	SILICONE RUBBER	(RED)	

UNITS mm		SCALE 4 : 1	COUNT 	DESCRIPTION OF REVISIONS	DESIGNED	CHECKED	DATE
HIROSE ELECTRIC CO., LTD.				APPROVED : NK. NINOMIYA 20220217 CHECKED : NK. NINOMIYA 20220217 DESIGNED : MT. KANEKO 20220217 DRAWN : NK. OOSHIMA 20220216	DRAWING NO. EDC-043370-40-00 PART NO. HRM-200-4S-C(40) CODE NO. CL0323-0413-9-40	1/1	

X-ON Electronics

Largest Supplier of Electrical and Electronic Components

Click to view similar products for [RF Connectors / Coaxial Connectors](#) category:

Click to view products by [Hirose](#) manufacturer:

Other Similar products are found below :

[8915-1511-000](#) [89674-0827](#) [6002-7051-003](#) [6059674-1](#) [619550-1](#) [630059-000](#) [M39030/3-01N](#) [6501-1071-002](#) [6769](#) [7002-1541-010](#) [7002-1572-002](#) [7003-1542-011](#) [7004-1512-000](#) [7009-1511-004](#) [7101-1541-010](#) [7101-1571-002](#) [7105-1521-002](#) [7203-1571-003](#) [7209-1511-011](#) [7210-1511-040](#) [7242-1511-000](#) [73216-2241](#) [73404-2300](#) [7405-1521-005](#) [7405-1521-802](#) [8527](#) [8547](#) [FS11V](#) [877931](#) [8808-1511-001](#) [9074-9513-000](#) [910A205F](#) [PL40-36](#) [PL71-9](#) [980-8666-005](#) [1200690078](#) [1-201144-1](#) [120919](#) [R107003010W](#) [R112186000](#) [R113053000W](#) [R113236000](#) [R113240000](#) [R113240097](#) [R114073000W](#) [R114083000](#) [R114670000W](#) [R123415000W](#) [R124076320](#) [R124076450](#)