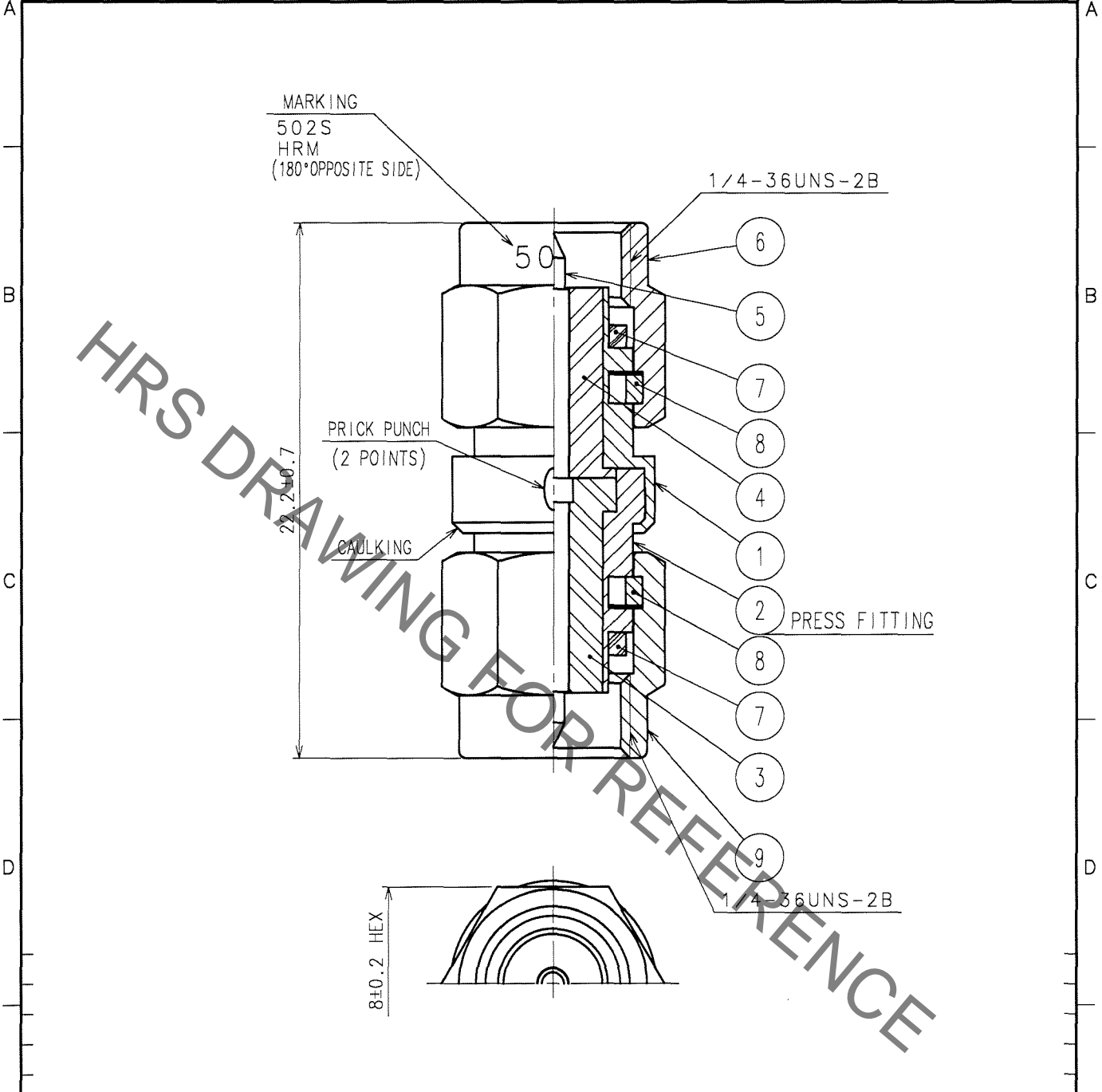


Sep.1.2021 Copyright 2021 HIROSE ELECTRIC CO., LTD. All Rights Reserved.
In case of consideration for using Automotive equipment / device which demand high reliability, kindly contact our sales window correspondents.

1		2			3			4		
COUNT	DESCRIPTION OF REVISIONS	BY	CHKD	DATE	COUNT	DESCRIPTION OF REVISIONS	BY	CHKD	DATE	
△					△				..	
△					△				..	
△					△				..	



5	BRASS	GOLD PLATING	9	STAINLESS STEEL	PASSIVATE
4	PTFE		8	BERYLLIUM COPPER	NICKEL PLATING
3	PTFE		7	SILICONE RUBBER	(RED)
2	STAINLESS STEEL	PASSIVATE	6	STAINLESS STEEL	PASSIVATE
1	STAINLESS STEEL	PASSIVATE			
NO.	MATERIAL	FINISH, REMARKS	NO.	MATERIAL	FINISH, REMARKS

CODE NO. (OLD) CL		DRAWN <i>Y. Sugiyama</i> 06.04.18	DESIGNED <i>T. Katayama</i> 06.04.18	CHECKED <i>H. Shimizu</i> 06.04.19	APPROVED <i>J. Mitani</i> 06.04.19	RELEASED
TO		DRAWING NO. EDC4-007619-40		PART NO. HRM-502S(40)		
RF		SCALE 4 : 1		CODE NO. CL323-0157-0-40		1/1
UNITS mm		HRS HIROSE ELECTRIC CO., LTD.				

X-ON Electronics

Largest Supplier of Electrical and Electronic Components

Click to view similar products for [RF Adapters - In Series](#) category:

Click to view products by [Hirose](#) manufacturer:

Other Similar products are found below :

[5916-1103-603](#) [5918-1103-000](#) [5919-1503-000](#) [651A505](#) [82-5552](#) [9030-9523-502](#) [A0407000](#) [R114703000W](#) [R125704000](#) [R125771001](#)
[R141710000W](#) [R141723161](#) [R141730000](#) [R143730700](#) [R143770000](#) [R161703000W](#) [R161730000](#) [R161753000W](#) [R161791530W](#)
[R201705000](#) [R222705200](#) [R222M40010W](#) [R223703180](#) [R316754000](#) [R405006000](#) [R443162000](#) [AD78TL](#) [HRM-513S](#) [1996352-2](#)
[2157155-1](#) [252169-75](#) [AD158](#) [2101130-1](#) [252186](#) [R114704000W](#) [R114720000W](#) [R125705001](#) [R125705701](#) [R125771000](#) [R125771001W](#)
[R125791501W](#) [R127704001](#) [R127.870.001](#) [R127872001](#) [R141717000](#) [R142710000](#) [R142723000](#) [R143703000](#) [R143704000](#) [R143705700](#)