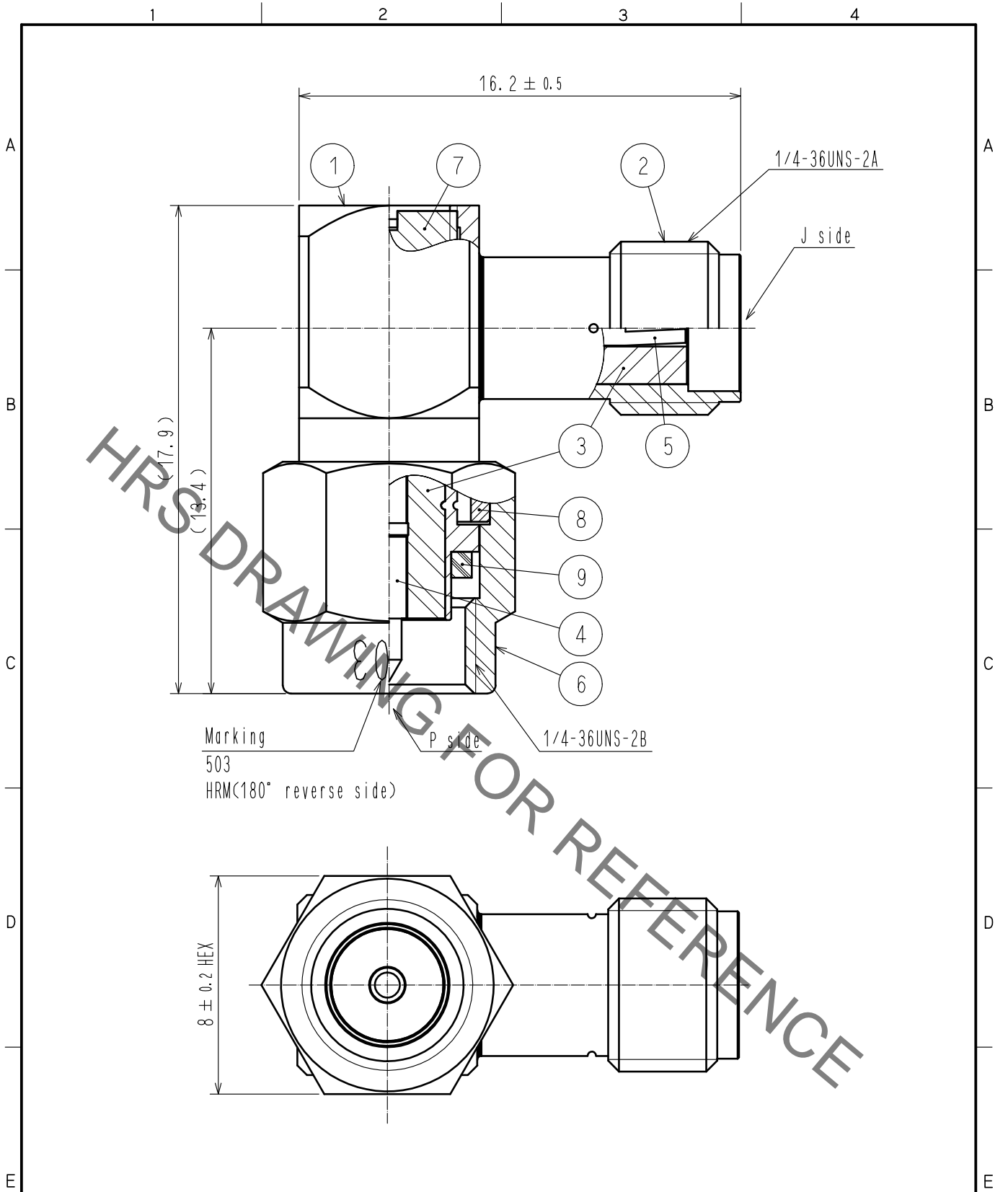


Jun.1.2023 Copyright 2023 HIROSE ELECTRIC CO., LTD. All Rights Reserved.
 In case of consideration for using Automotive equipment / device which demand high reliability, kindly contact our sales window correspondents.



5	BERYLLIUM COPPER	GOLD PLATING		9	SILICONE RUBBER		
4	BRASS	GOLD PLATING		8	BERYLLIUM COPPER	NICKEL PLATING	
3	PTFE			7	BRASS	GOLD PLATING	
2	STAINLESS STEEL	GOLD PLATING		6	STAINLESS STEEL	GOLD PLATING	
1	STAINLESS STEEL	GOLD PLATING					
NO.	MATERIAL	FINISH	REMARKS	NO.	MATERIAL	FINISH	REMARKS

UNITS mm		SCALE 5 : 1	COUNT 	DESCRIPTION OF REVISIONS	DESIGNED	CHECKED	DATE
HIROSE ELECTRIC CO., LTD.				APPROVED : NK. NINOMIYA 20220125 CHECKED : NK. NINOMIYA 20220125 DESIGNED : MT. KANEKO 20220125 DRAWN : YK. MITSUISHI 20220121	DRAWING NO. EDC-004502-40-00 PART NO. HRM-503(40) CODE NO. CL0323-0031-2-40	1/1	

X-ON Electronics

Largest Supplier of Electrical and Electronic Components

Click to view similar products for [RF Adapters - In Series](#) category:

Click to view products by [Hirose](#) manufacturer:

Other Similar products are found below :

[5918-1103-000](#) [5919-9503-000](#) [651A505](#) [R114703000W](#) [R222M40050](#) [1996352-2](#) [2157155-1](#) [252169-75](#) [AD158](#) [2101130-1](#) [252186](#)
[R125771001W](#) [R127703001](#) [R127753000](#) [R127.870.001](#) [R142710000](#) [R142723000](#) [R161715000W](#) [R405005000](#) [BJ38](#) [5928-9503-000](#)
[5919-9503-003](#) [R164705000](#) [56S201-K00N5](#) [R222M40080](#) [R125513001](#) [R124720003W](#) [R222970000W](#) [R142723000W](#) [19K119-K38L5](#)
[CT3393](#) [R222M40060](#) [05S121-S00S3](#) [05K121-K00S3](#) [1757092-1](#) [4-1532004-7](#) [033-0219-0001](#) [BU-P4290-NS](#) [920-56](#) [R143753000W](#)
[R223703080W](#) [9176-9113-000](#) [7222-1501-000](#) [R222M40107](#) [R114009000](#) [AD48](#) [ADP-NF-NF](#) [TEC0106-01](#) [ADP-SMAM-SMAFRP](#)
[ADAPT/SMAM/SMAM/RP](#)