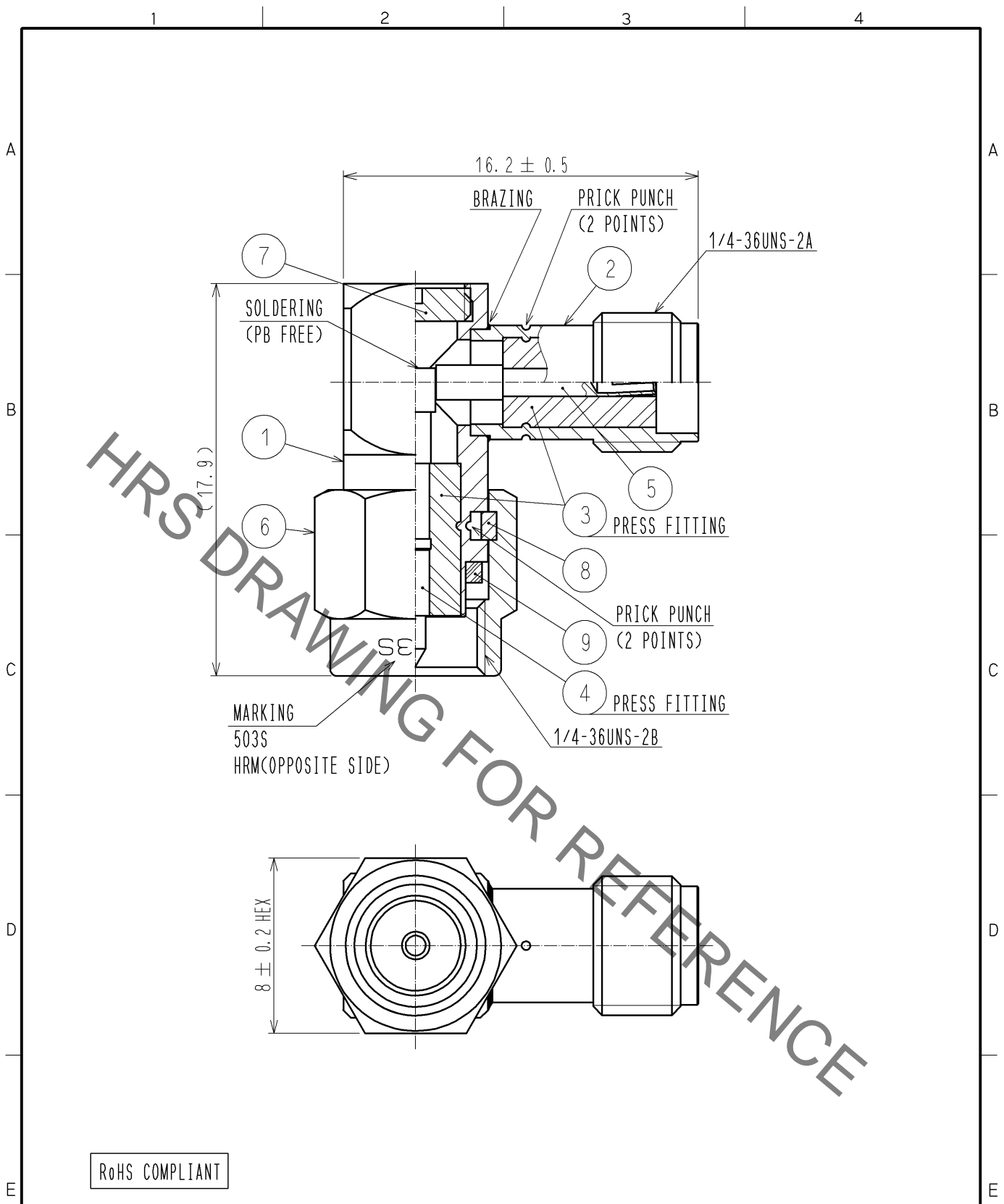


Sep.1.2021 Copyright 2021 HIROSE ELECTRIC CO., LTD. All Rights Reserved.
 In case of consideration for using Automotive equipment / device which demand high reliability, kindly contact our sales window correspondents.



RoHS COMPLIANT

5	BERYLLIUM COPPER	GOLD PLATING					
4	BRASS	GOLD PLATING	9	SILICONE RUBBER			
3	PTFE		8	BERYLLIUM COPPER	NICKEL PLATING		
2	STAINLESS STEEL	NICKEL PLATING	7	BRASS	NICKEL PLATING		
1	STAINLESS STEEL	NICKEL PLATING	6	STAINLESS STEEL	PASSIVATE		
NO.	MATERIAL	FINISH .	REMARKS	NO.	MATERIAL	FINISH .	REMARKS

UNITS	SYMBOL	SCALE	COUNT	DESCRIPTION OF REVISIONS	DESIGNED	CHECKED	DATE
mm		4 : 1					
HRS HIROSE ELECTRIC CO., LTD.				APPROVED : MH. YAMANE 08.05.13 CHECKED : TO. KATAYAMA 08.05.12 DESIGNED : TS. KANEKO 08.05.12 DRAWN : TS. KANEKO 08.05.12	DRAWING NO. EDC4-007128-40 PART NO. HRM-503S(40) CODE NO. CL323-0112-2-40	1/1	

X-ON Electronics

Largest Supplier of Electrical and Electronic Components

Click to view similar products for [RF Adapters - In Series](#) category:

Click to view products by [Hirose](#) manufacturer:

Other Similar products are found below :

[5916-1103-603](#) [5918-1103-000](#) [5919-1503-000](#) [651A505](#) [82-5552](#) [9030-9523-502](#) [A0407000](#) [R114703000W](#) [R125704000](#) [R125771001](#)
[R141710000W](#) [R141723161](#) [R141730000](#) [R143730700](#) [R143770000](#) [R161703000W](#) [R161730000](#) [R161753000W](#) [R161791530W](#)
[R201705000](#) [R222705200](#) [R222M40010W](#) [R316754000](#) [R405006000](#) [R443162000](#) [AD78TL](#) [HRM-513S](#) [1996352-2](#) [2157155-1](#) [252169-75](#)
[AD158](#) [2101130-1](#) [252186](#) [R114704000W](#) [R114720000W](#) [R125705001](#) [R125705701](#) [R125771000](#) [R125771001W](#) [R125791501W](#)
[R127704001](#) [R127.870.001](#) [R127872001](#) [R141717000](#) [R142710000](#) [R142723000](#) [R143703000](#) [R143704000](#) [R143705700](#) [R143710000](#)