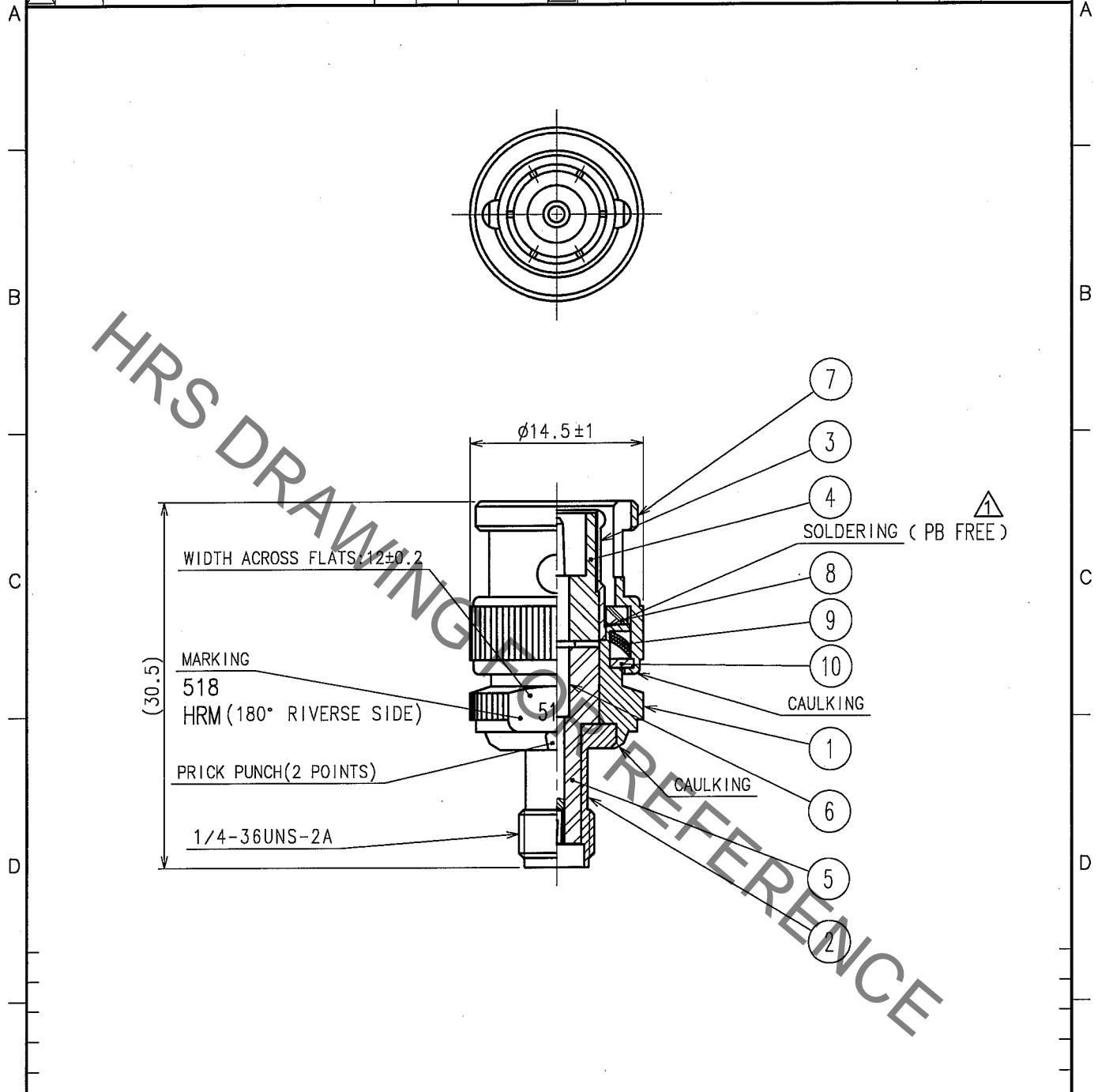


Sep.1.2021 Copyright 2021 HIROSE ELECTRIC CO., LTD. All Rights Reserved.
In case of consideration for using Automotive equipment / device which demand high reliability, kindly contact our sales window correspondents.

1		2			3			4		
COUNT	DESCRIPTION OF REVISIONS	BY	CHKD	DATE	COUNT	DESCRIPTION OF REVISIONS	BY	CHKD	DATE	
△ 1	DIS-D-000309	Y.S	K.S	06.06.12	△				. .	
△					△				. .	
△					△				. .	



5	PTFE		10	BRASS	SILVER PLATING
4	PTFE		9	BERYLLIUM COPPER	SILVER PLATING
3	BERYLLIUM COPPER	SILVER PLATING	8	SILICONE RUBBER	
2	STAINLESS STEEL	GOLD PLATING	7	BRASS	SILVER PLATING
1	BRASS	SILVER PLATING	6	BERYLLIUM COPPER	GOLD PLATING
NO.	MATERIAL	FINISH, REMARKS	NO.	MATERIAL	FINISH, REMARKS

CODE NO. (OLD)		DRAWN	DESIGNED	CHECKED	APPROVED	RELEASED
		R.KIMURA	R.KIMURA	M.YAMANE	I.MITANI	
RoHS COMPLIANT		05.08.11	05.08.11	05.08.23	05.08.26	

SCALE	DRAWING NO.	PART NO.
2 : 1	EDC4-005017-40	HRM-518(40)
UNITS	CODE NO.	
mm	CL311-0100-3-40	

TO
RF

1/1

X-ON Electronics

Largest Supplier of Electrical and Electronic Components

Click to view similar products for [RF Adapters - In Series](#) category:

Click to view products by [Hirose](#) manufacturer:

Other Similar products are found below :

[5916-1103-603](#) [5918-1103-000](#) [5919-1503-000](#) [651A505](#) [82-5552](#) [9030-9523-502](#) [A0407000](#) [R114703000W](#) [R125704000](#) [R125771001](#)
[R141710000W](#) [R141723161](#) [R141730000](#) [R143730700](#) [R143770000](#) [R161703000W](#) [R161730000](#) [R161753000W](#) [R161791530W](#)
[R201705000](#) [R222705200](#) [R222M40010W](#) [R223703180](#) [R316754000](#) [R405006000](#) [R443162000](#) [AD78TL](#) [HRM-513S](#) [1996352-2](#)
[2157155-1](#) [252169-75](#) [AD158](#) [2101130-1](#) [252186](#) [R114704000W](#) [R114720000W](#) [R125705001](#) [R125705701](#) [R125771000](#) [R125771001W](#)
[R125791501W](#) [R127704001](#) [R127.870.001](#) [R127872001](#) [R141717000](#) [R142710000](#) [R142723000](#) [R143703000](#) [R143704000](#) [R143705700](#)