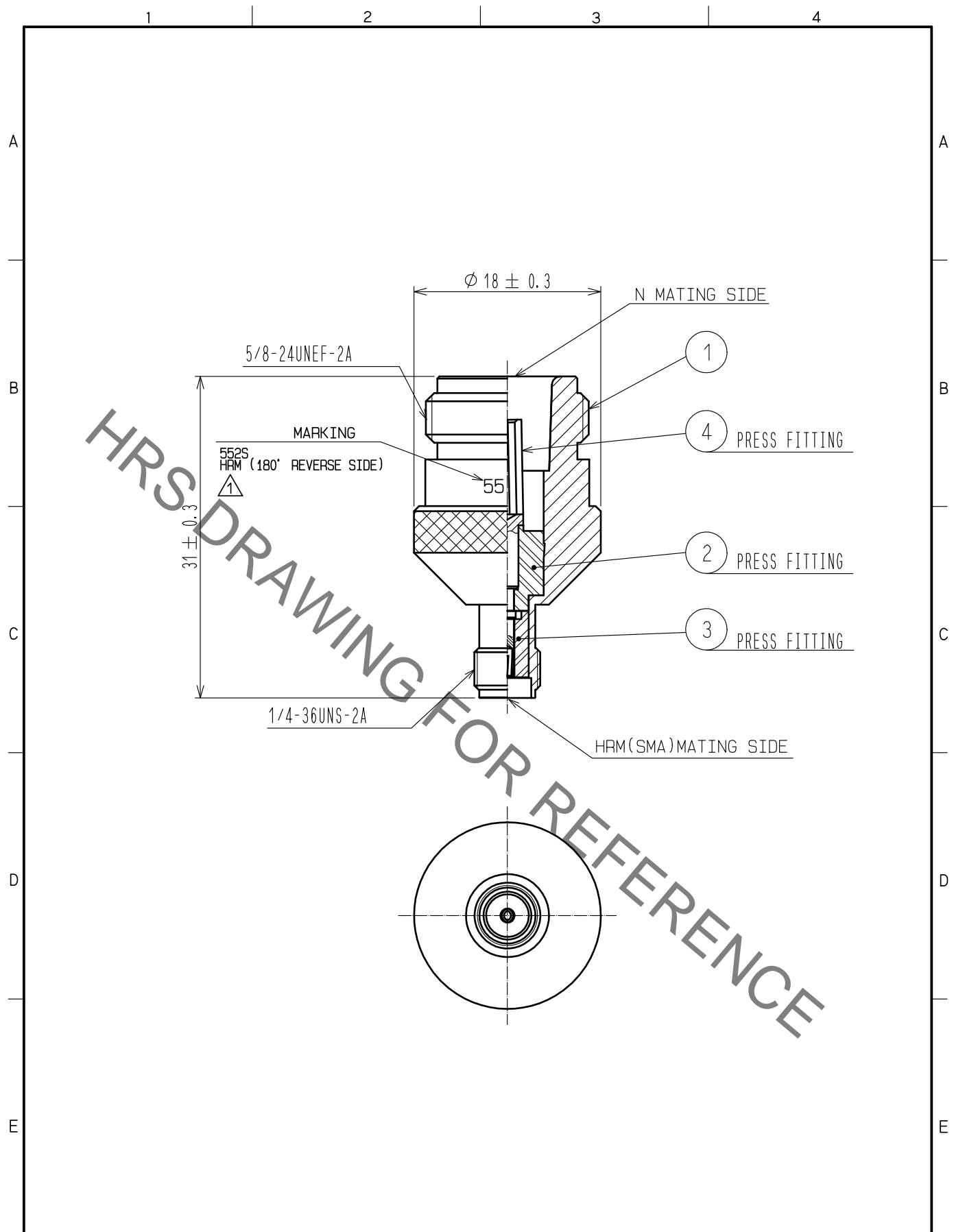


Sep. 1. 2021 Copyright 2021 HIROSE ELECTRIC CO., LTD. All Rights Reserved.
 In case of consideration for using Automotive equipment / device which demand high reliability, kindly contact our sales window correspondents.



| 2 | PTFE | | 4 | Beryllium copper | Gold plating | | |
|--------------------------------------|-------------------------|------------------|-------------|--|--------------------------|---------------------|------------------|
| 1 | Stainless steel | Passivate | 3 | PTFE | | | |
| NO. | MATERIAL | FINISH . REMARKS | NO. | MATERIAL | FINISH . REMARKS | | |
| UNITS mm | | SCALE 2 : 1 | COUNT | DESCRIPTION OF REVISIONS DIS-D-00004178 | DESIGNED NK. NINOMIYA | CHECKED TS. NOBE | DATE 20190621 |
| HRS HIROSE ELECTRIC CO., LTD. | APPROVED : IJ. MITANI | 20050105 | DRAWING NO. | EDC4-007205-00 | | | |
| | CHECKED : KY. SHIMIZU | 20050105 | PART NO. | HRM-552S | | | |
| | DESIGNED : TO. KATAYAMA | 20050105 | CODE NO. | CL311-0119-1-00 | | | |
| | DRAWN : MH. WATANABE | 20050105 | | 1/1 | | | |

X-ON Electronics

Largest Supplier of Electrical and Electronic Components

Click to view similar products for [RF Adapters - In Series](#) category:

Click to view products by [Hirose](#) manufacturer:

Other Similar products are found below :

[5916-1103-603](#) [5918-1103-000](#) [5919-1503-000](#) [651A505](#) [82-5552](#) [9030-9523-502](#) [A0407000](#) [R114703000W](#) [R125704000](#) [R125771001](#)
[R141710000W](#) [R141723161](#) [R141730000](#) [R143730700](#) [R143770000](#) [R161703000W](#) [R161730000](#) [R161753000W](#) [R161791530W](#)
[R201705000](#) [R222705200](#) [R222M40010W](#) [R316754000](#) [R405006000](#) [R443162000](#) [AD78TL](#) [HRM-513S](#) [1996352-2](#) [2157155-1](#) [252169-75](#)
[AD158](#) [2101130-1](#) [252186](#) [R114704000W](#) [R114720000W](#) [R125705001](#) [R125705701](#) [R125771000](#) [R125771001W](#) [R125791501W](#)
[R127704001](#) [R127.870.001](#) [R127872001](#) [R141717000](#) [R142710000](#) [R142723000](#) [R143703000](#) [R143704000](#) [R143705700](#) [R143710000](#)