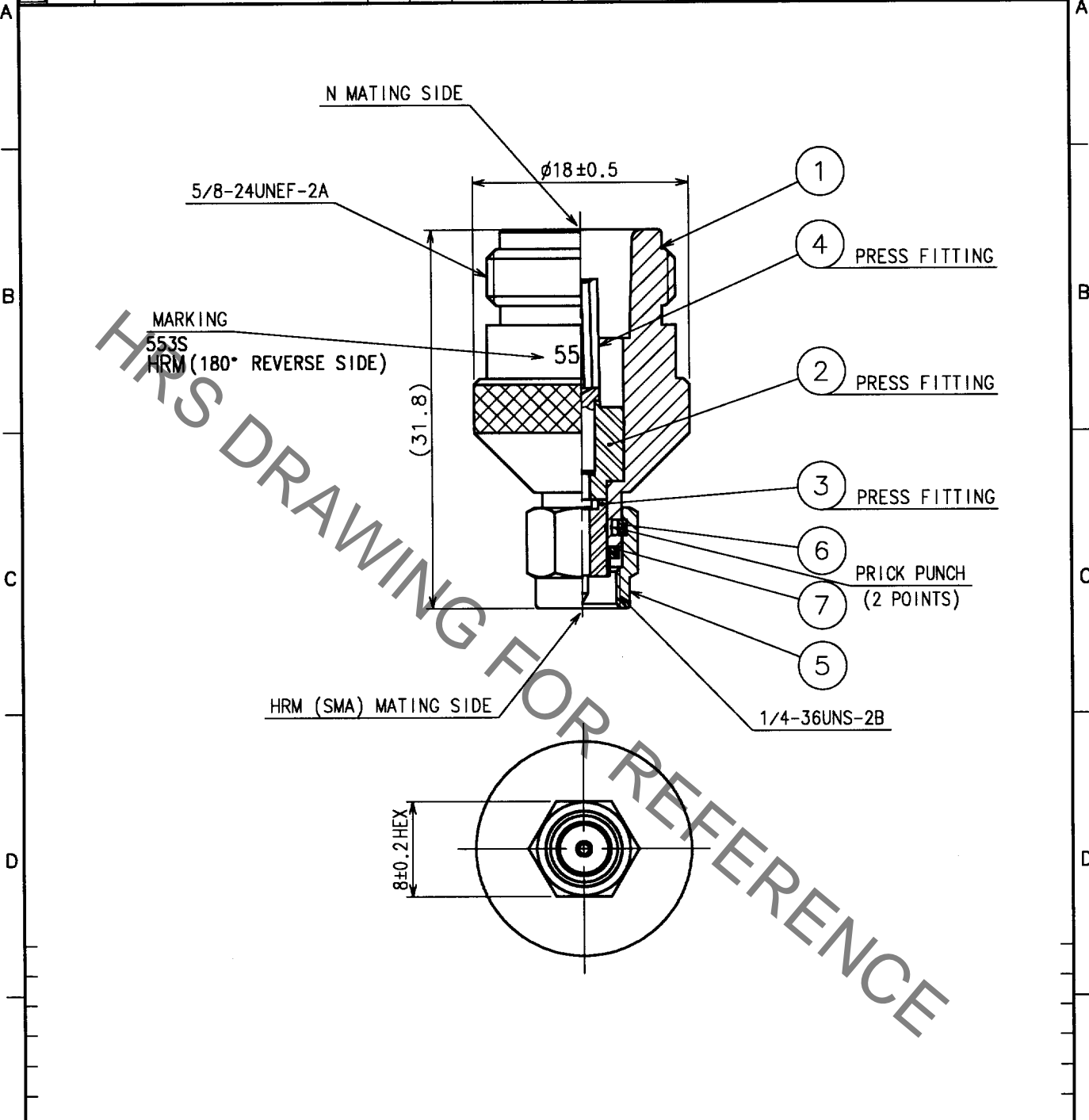


Sep.1.2021 Copyright 2021 HIROSE ELECTRIC CO., LTD. All Rights Reserved.  
In case of consideration for using Automotive equipment / device which demand high reliability, kindly contact our sales window correspondents.

1		2			3			4		
COUNT	DESCRIPTION OF REVISIONS	BY	CHKD	DATE	COUNT	DESCRIPTION OF REVISIONS	BY	CHKD	DATE	
△					△					
△					△					
△					△					



4	BERYLLIUM COPPER	GOLD PLATING			
3	PTFE		7	SILICONE RUBBER	
2	PTFE		6	BERYLLIUM COPPER	NICKEL PLATING
1	STAINLESS STEEL	PASSIVATE	5	STAINLESS STEEL	PASSIVATE
NO.	MATERIAL	FINISH, REMARKS	NO.	MATERIAL	FINISH, REMARKS

CODE NO. (OLD)		DRAWN	DESIGNED	CHECKED	APPROVED	RELEASED
		<i>M. Watanabe</i>	<i>M. Watanabe</i>	<i>K. Shimizu</i>	<i>F. Kobayashi</i>	
		'04.1.9	'04.1.9	'04.01.13	'04.01.14	
DRAWING NO. EDC4-007142			PART NO. HRM-553S			
UNITS mm			CODE NO. CL311-0121-3			
<b>HRS</b> HIROSE ELECTRIC CO., LTD.						

TO
RF

## X-ON Electronics

Largest Supplier of Electrical and Electronic Components

*Click to view similar products for [RF Adapters - In Series](#) category:*

*Click to view products by [Hirose](#) manufacturer:*

Other Similar products are found below :

[5916-1103-603](#) [5918-1103-000](#) [5919-1503-000](#) [651A505](#) [82-5552](#) [9030-9523-502](#) [A0407000](#) [R114703000W](#) [R125704000](#) [R125771001](#)  
[R141710000W](#) [R141723161](#) [R141730000](#) [R143730700](#) [R143770000](#) [R161703000W](#) [R161730000](#) [R161753000W](#) [R161791530W](#)  
[R201705000](#) [R222705200](#) [R222M40010W](#) [R316754000](#) [R405006000](#) [R443162000](#) [AD78TL](#) [HRM-513S](#) [1996352-2](#) [2157155-1](#) [252169-75](#)  
[AD158](#) [2101130-1](#) [252186](#) [R114704000W](#) [R114720000W](#) [R125705001](#) [R125705701](#) [R125771000](#) [R125771001W](#) [R125791501W](#)  
[R127704001](#) [R127.870.001](#) [R127872001](#) [R141717000](#) [R142710000](#) [R142723000](#) [R143703000](#) [R143704000](#) [R143705700](#) [R143710000](#)