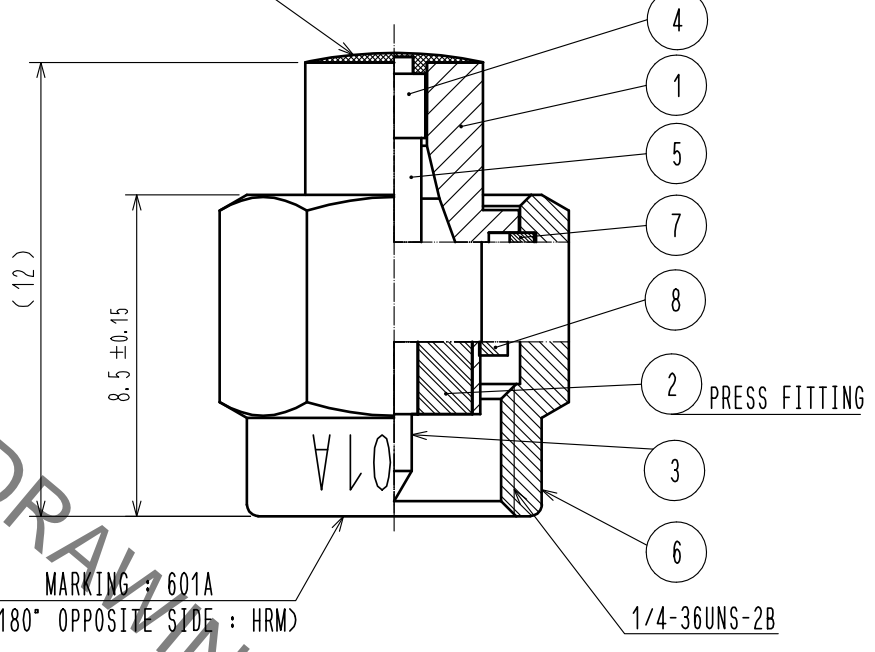


May.1.2019 Copyright 2019 HIROSE ELECTRIC CO., LTD. All Rights Reserved.
 In case of consideration for using Automotive equipment / device which demand high reliability, kindly contact our sales window correspondents.

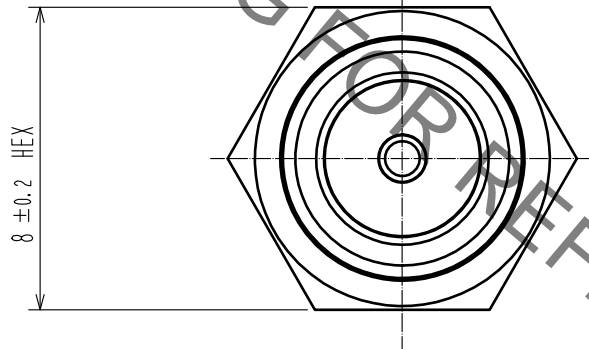
△ Redraw

1 SOLDERING



MARKING : 601A
 (180° OPPOSITE SIDE : HRM)

1/4-36UNS-2B



NOTE 1 Lead-free solder of Sn3Ag0.5Cu is used.

ROHS COMPLIANT

4	BRASS	GOLD PLATING	8	SIRICONE RUBBER	(RED)
3	BRASS	GOLD PLATING	7	BERYLLIUM COPPER	NICKEL PLATING
2	PTFE		6	STAINLESS STEEL	PASSIVATED
1	STAINLESS STEEL	NICKEL PLATING	5	RESISTANCE	50Ω
NO.	MATERIAL	FINISH . REMARKS	NO.	MATERIAL	FINISH . REMARKS

UNITS mm		SCALE 5 : 1	COUNT 1	DESCRIPTION OF REVISIONS DIS-D-00000641	DESIGNED TO. KATAYAMA	CHECKED KY. SHIMIZU	DATE 15.11.02
APPROVED : KY. SHIMIZU 15.01.14 CHECKED : TO. KATAYAMA 15.01.14 DESIGNED : YI. FUNADA 15.01.14 DRAWN : YI. FUNADA 15.01.14				DRAWING NO. EDC-030012-50-50 PART NO. HRM-601A(50) CODE NO. CL353-0017-3-50			

HRS DRAWING TOP REFERENCE

X-ON Electronics

Largest Supplier of Electrical and Electronic Components

Click to view similar products for [RF Terminators](#) category:

Click to view products by [Hirose](#) manufacturer:

Other Similar products are found below :

[M390303-02N](#) [M39030/3-04S](#) [M39030/3-09S](#) [TNG1-9-78-D3](#) [TNA2-50](#) [TNG1-6-78](#) [TNH1-1-50](#) [R404280000](#) [TNGFL1-1-78](#) [R4042N5000](#)
[R404518000](#) [53S1RR-001N3](#) [142275](#) [56S1RR-001N4](#) [18S15R-0.5E3](#) [65_BNC-50-0-7/133_NE](#) [71S1RR-001N4](#) [02S17R-001D3](#)
[R404240120](#) [R404260000](#) [HT-10-2](#) [M39030/3-04N](#) [TNA1-6-50](#) [131-3801-811](#) [TNA1-1-50](#) [65_N-50-0-51/113_NE](#) [65_N-50-0-1/133_NE](#)
[65002_N-50-1/122_NE](#) [65_MMCX-50-0-31/111_OE](#) [18K15R-0.5E3](#) [2702702](#) [TRM-2161-M0-35M-02](#) [53S17R-001N3](#) [18S24H-40ML5](#)
[TRM-2053-M0-NNN-02](#) [R404759000](#) [M39030/6-02N](#) [TRM-2080-M0-NNN-07](#) [TRM-2053-MC-NNN-02](#) [M39030/3-03S](#) [SF8012-6009](#)
[6701.01.A](#) [65_716-50-0-2/003_-E](#) [65_SMB-50-0-1/111_NE](#) [M39030/3-12N](#) [M39030/5-06N](#) [82-5722-RFX](#) [8018-6174](#) [SF8018-6005](#) [000-46650-51RFX](#)