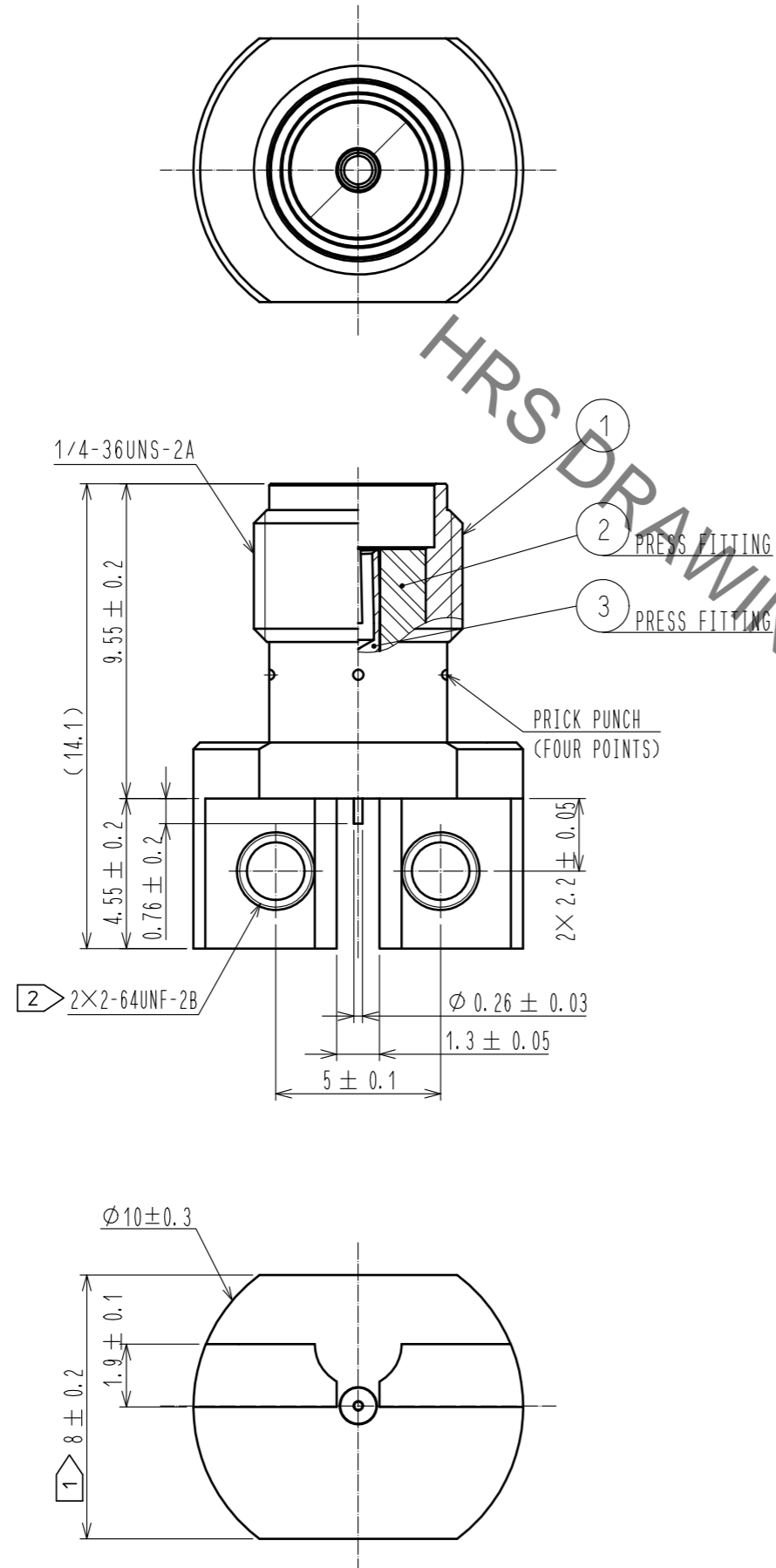
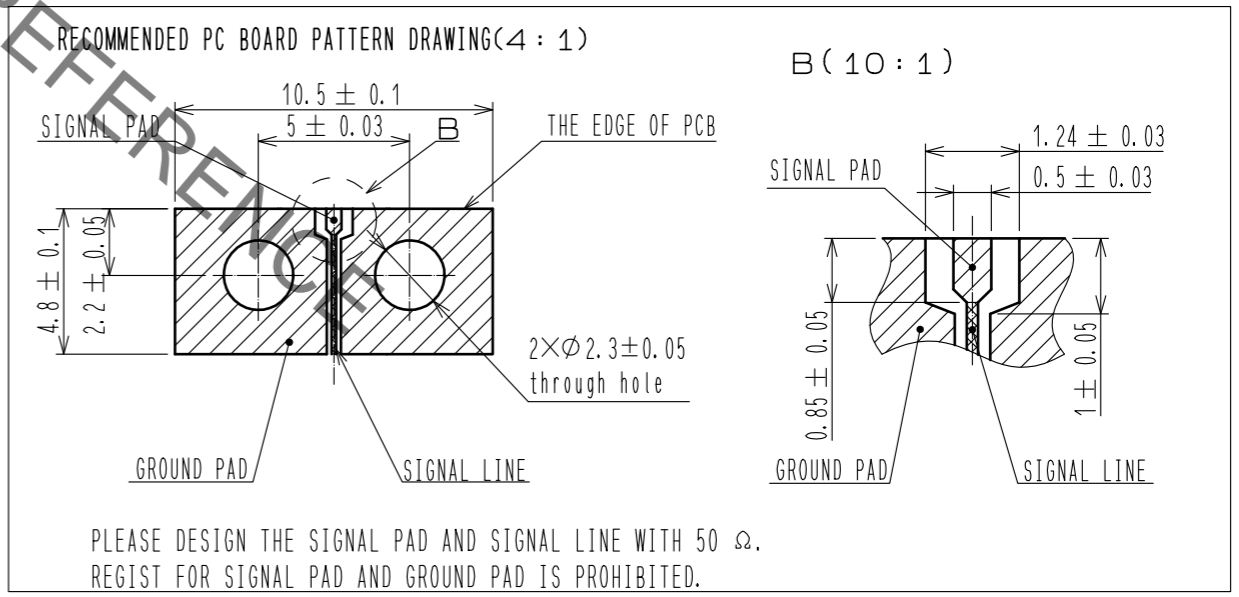
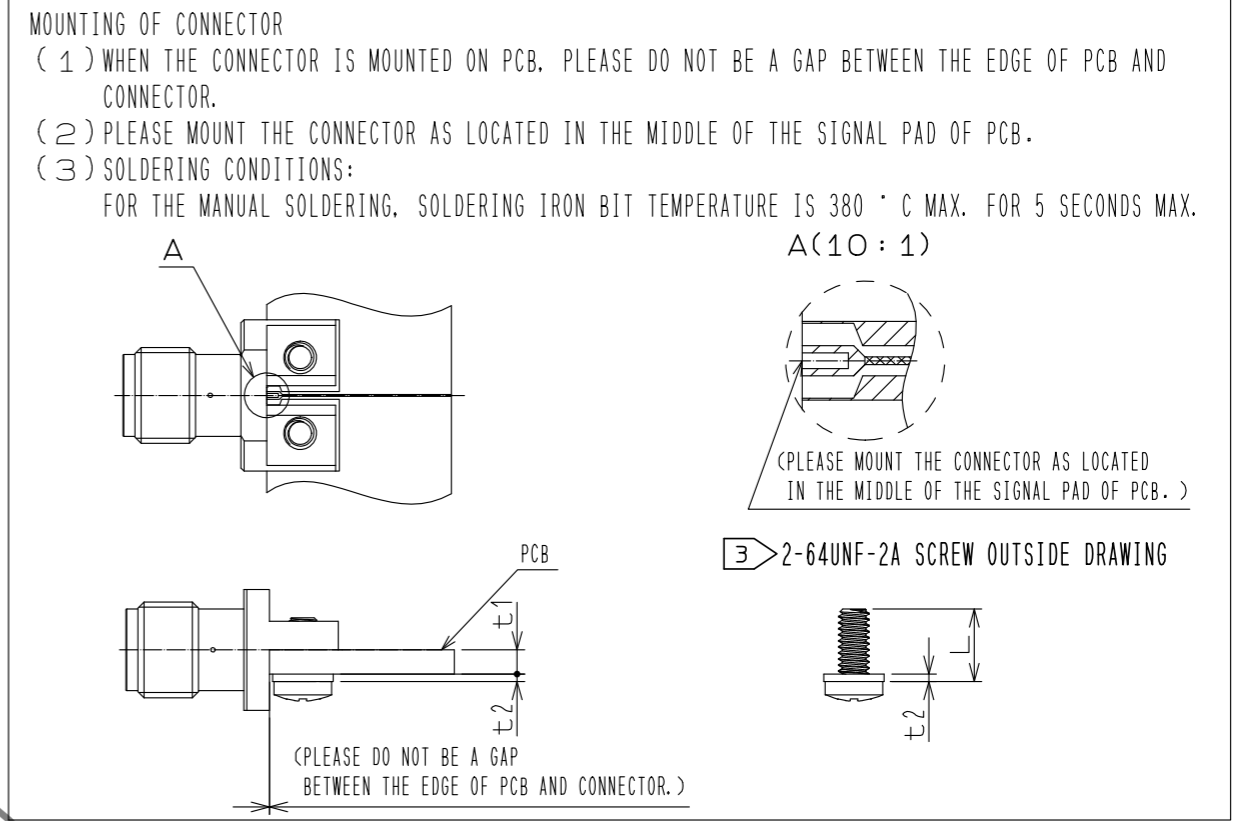


Unified screw thread type



- NOTES
- ① WHEN THE MATING CONNECTOR, PLEASE HOLD MILLING AREA OF 8 ± 0.2 WITH A WRENCH.
 - ② 2-64UNF-2B SCREW TIGHTENING TORQUE IS $0.23 \text{ N} \cdot \text{m}$
PLEASE TIGHTEN THE SCREWS EVENLY WHEN MOUNTING THE CONNECTORS TO ENSURE STABLE ELECTRICAL CONTACT.
 - ③ PLEASE USE A PCB MOUNTING SCREW OF THE LENGTH OF $L(\text{mm})$.
THE LENGTH OF $L(\text{mm})$ IS PCB THICKNESS $t_1(\text{mm})$ + SPRING WASHER THICKNESS $t_2(\text{mm})$ + $2(\text{mm})$.
PLEASE USE A SCREW WITH SPRING WASHER.
 - ④ THIS CONNECTOR SHOULD BE USE FOR TEST PORT ONLY.



RoHS COMPLIANT

2	PTFE						
1	BRASS	GOLD PLATING		3	BERYLLIUM COPPER	GOLD PLATING	
NO.	MATERIAL	FINISH .	REMARKS	NO.	MATERIAL	FINISH .	REMARKS
UNITS	mm	SCALE	5 : 1	COUNT	2	DESCRIPTION OF REVISIONS	DESIGNED
						DIS-D-00003461	RO. YOKOYAMA
							CHECKED
							TO. KATAYAMA
							DATE
							18. 08. 31
APPROVED : MH. YAMANE				12. 02. 08		DRAWING NO.	
CHECKED : MH. TSUCHIDA				12. 02. 08		EDC3-342452-00	
DESIGNED : RO. YOKOYAMA				12. 02. 03		PART NO.	
DRAWN : RO. YOKOYAMA				12. 02. 03		HRMCG-300-467B-1	
						CODE NO.	
						CL323-0937-0-00	
						② 1/1	

Sep.1.2021 Copyright 2021 HIROSE ELECTRIC CO., LTD. All Rights Reserved.
In case of consideration for using Automotive equipment / device which demand high reliability, kindly contact our sales window correspondents.

X-ON Electronics

Largest Supplier of Electrical and Electronic Components

Click to view similar products for [RF Terminators](#) category:

Click to view products by [Hirose](#) manufacturer:

Other Similar products are found below :

[M390303-02N](#) [M39030/3-04S](#) [M39030/3-09S](#) [M39030/3-11N](#) [TNG1-9-78-D3](#) [TNA2-50](#) [TNG1-6-78](#) [TNH1-1-50](#) [R404280000](#) [TNGFL1-1-78](#) [R4042N5000](#) [R404518000](#) [53S1RR-001N3](#) [142275](#) [56S1RR-001N4](#) [18S15R-0.5E3](#) [65_BNC-50-0-7/133_NE](#) [71S1RR-001N4](#) [02S17R-001D3](#) [R404240120](#) [R404260000](#) [HT-10-2](#) [FL LCX 50-OHM-RSMA](#) [M39030/3-04N](#) [TNA1-6-50](#) [131-3801-811](#) [TNA1-1-50](#) [65_N-50-0-51/113_NE](#) [65_BNC-50-0-2/133_NE](#) [65_N-50-0-1/133_NE](#) [65002_N-50-1/122_NE](#) [65_MMCX-50-0-31/111_OE](#) [18K15R-0.5E3](#) [2702702](#) [TRM-2161-M0-35M-02](#) [53S17R-001N3](#) [18S24H-40ML5](#) [TRM-2053-M0-NNN-02](#) [R404759000](#) [M39030/6-02N](#) [TRM-2080-M0-NNN-07](#) [TRM-2053-MC-NNN-02](#) [M39030/3-03S](#) [SF8012-6009](#) [6701.01.A](#) [65_MCX-50-0-4/111_NE](#) [65_716-50-0-2/003_-E](#) [65_SMB-50-0-1/111_NE](#) [M39030/3-12N](#) [82-5722-RFX](#)