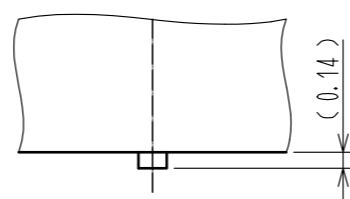
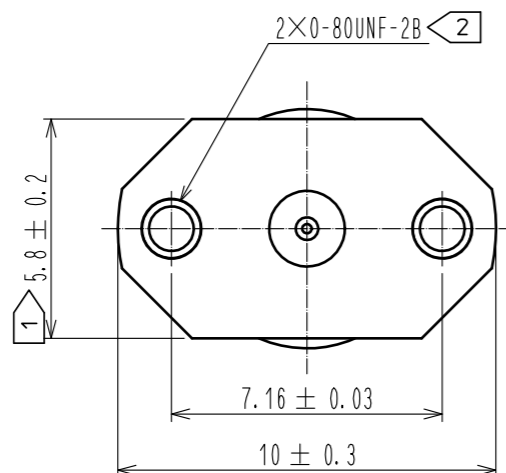
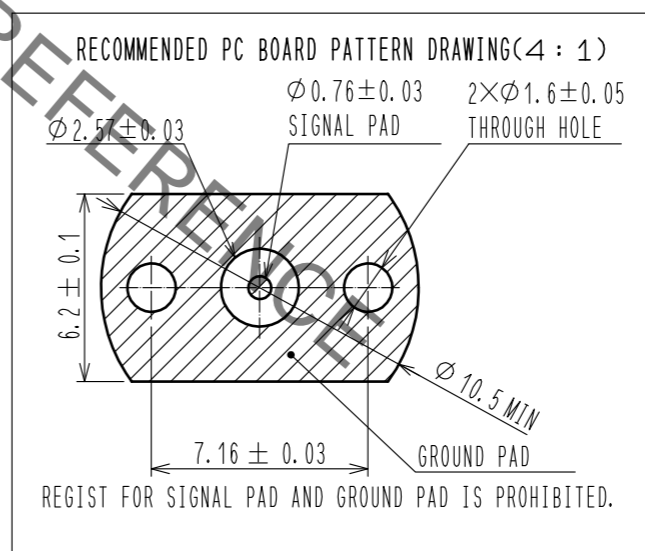
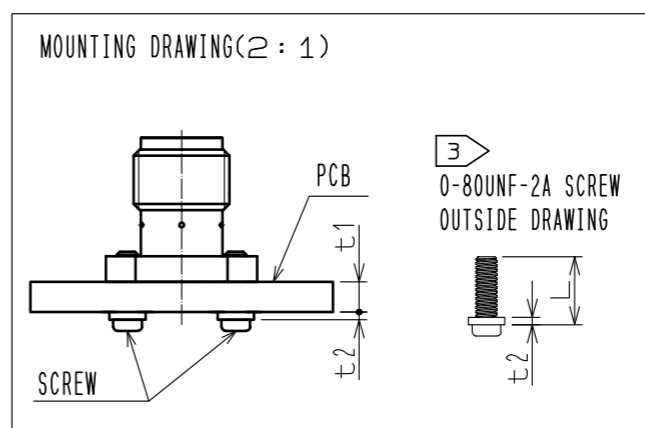
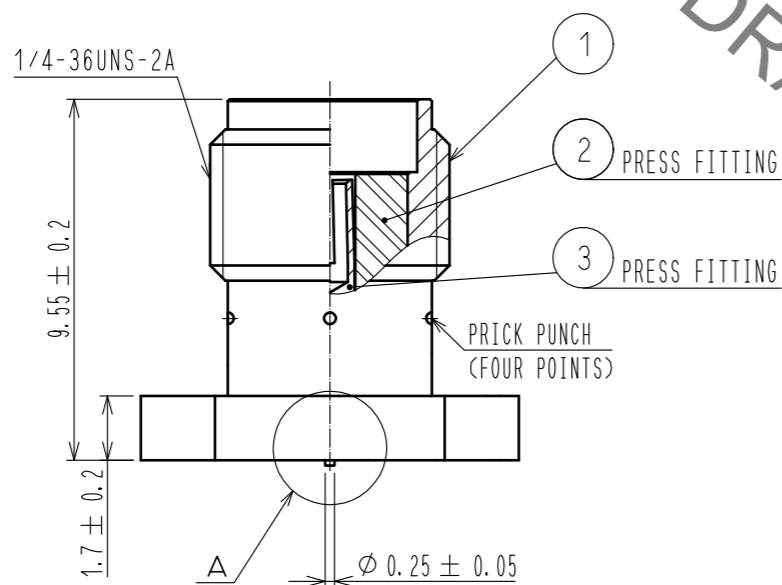
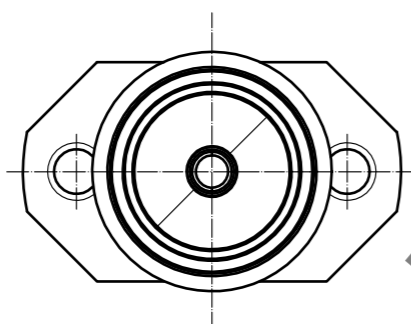


Unified screw thread type

A(10:1)



- NOTES
- 1 WHEN THE MATING CONNECTOR, PLEASE HOLD MILLING AREA OF 5.8 ± 0.2 WITH A WRENCH.
 - 2 0-80UNF-2B SCREW TIGHTENING TORQUE IS $0.09N \cdot m$. PLEASE TIGHTEN THE SCREWS EVENLY WHEN MOUNTING THE CONNECTORS TO ENSURE STABLE ELECTRICAL CONTACT.
 - 3 PLEASE USE A PCB MOUNTING SCREW OF THE LENGTH OF L(mm). THE LENGTH OF L(mm) IS PCB THICKNESS t_1 (mm) + SPRING WASHER THICKNESS t_2 (mm) + 2(mm). PLEASE USE A SCREW WITH SPRING WASHER.
 - 4. THIS CONNECTOR SHOULD BE USE FOR TEST PORT ONLY.



RoHS COMPLIANT

2	PTFE						
1	BRASS	GOLD PLATING		3	BERYLLIUM COPPER	GOLD PLATING	
NO.	MATERIAL	FINISH . REMARKS		NO.	MATERIAL	FINISH . REMARKS	
UNITS	mm	SCALE	5 : 1	COUNT	2	DESCRIPTION OF REVISIONS	DESIGNED
						DIS-D-00003461	RO. YOKOYAMA
							CHECKED
							TO. KATAYAMA
							DATE
							18. 08. 31
APPROVED : MH. YAMANE		12. 02. 10	DRAWING NO.		EDC3-339103-00		
CHECKED : MH. TSUCHIDA		12. 02. 10	PART NO.		HRMCG-300-468B-1		
DESIGNED : RO. YOKOYAMA		12. 02. 10	CODE NO.		CL323-0924-8-00		
DRAWN : RO. YOKOYAMA		12. 02. 10					

Sep.1.2021 Copyright 2021 HIROSE ELECTRIC CO., LTD. All Rights Reserved. In case of consideration for using Automotive equipment / device which demand high reliability, kindly contact our sales window correspondents.

X-ON Electronics

Largest Supplier of Electrical and Electronic Components

Click to view similar products for [RF Terminators](#) category:

Click to view products by [Hirose](#) manufacturer:

Other Similar products are found below :

[M390303-02N](#) [M39030/3-04S](#) [M39030/3-09S](#) [TNG1-9-78-D3](#) [TNA2-50](#) [TNG1-6-78](#) [TNH1-1-50](#) [R404280000](#) [TNGFL1-1-78](#) [R4042N5000](#)
[R404518000](#) [53S1RR-001N3](#) [142275](#) [56S1RR-001N4](#) [18S15R-0.5E3](#) [65_BNC-50-0-7/133_NE](#) [71S1RR-001N4](#) [02S17R-001D3](#)
[R404240120](#) [R404260000](#) [HT-10-2](#) [M39030/3-04N](#) [TNA1-6-50](#) [131-3801-811](#) [TNA1-1-50](#) [65_N-50-0-1/133_NE](#) [65002_N-50-1/122_NE](#)
[65_MMCX-50-0-31/111_OE](#) [18K15R-0.5E3](#) [2702702](#) [TRM-2161-M0-35M-02](#) [53S17R-001N3](#) [18S24H-40ML5](#) [TRM-2053-M0-NNN-02](#)
[R404759000](#) [M39030/6-02N](#) [TRM-2080-M0-NNN-07](#) [TRM-2053-MC-NNN-02](#) [M39030/3-03S](#) [SF8012-6009](#) [6701.01.A](#) [65_716-50-0-](#)
[2/003_-E](#) [65_SMB-50-0-1/111_NE](#) [M39030/3-12N](#) [M39030/5-06N](#) [82-5722-RFX](#) [8018-6174](#) [SF8018-6005](#) [000-46650-51RFX](#) [082-6693](#)