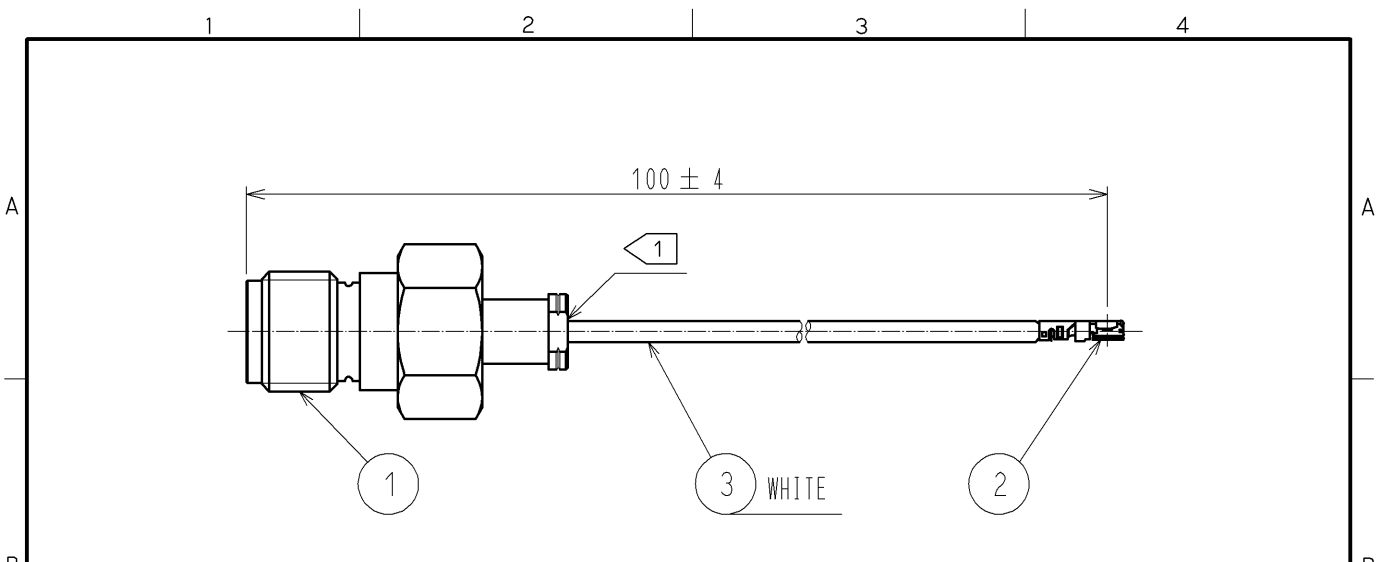
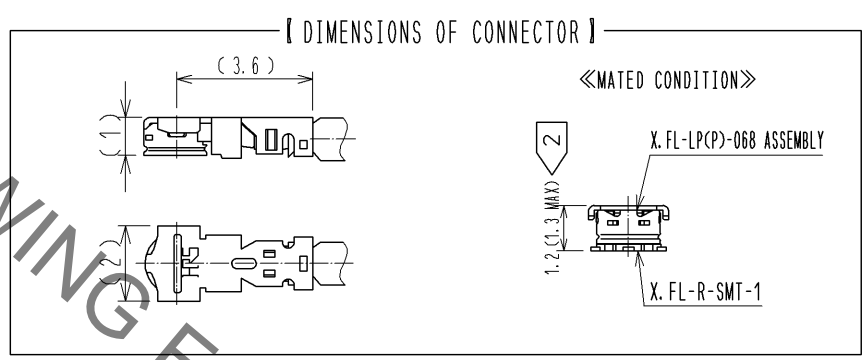


Oct.1.2019 Copyright 2019 HIROSE ELECTRIC CO., LTD. All Rights Reserved.
In case of consideration for using Automotive equipment / device which demand high reliability, kindly contact our sales window correspondents.



NOTE 1 Do not apply any excessive stress to the cable assembly position.
2 The drawing shows mated connector height only.

HRS DRAWING FOR REFERENCE



【 PRECAUTIONS FOR HANDLING 】

- ◆ Connector insertion and extraction
 - a. Insert the connector as perpendicularly to the mating surface as possible with aligning the mating axes of both connectors by specialised insertion JIG.
 Part No. : W.FL-LP-IN(CL331-0323-2) or X.FL-LP-IN.OUT1(CL331-0715-2)
 Do not excessively slant the connectors when inserting.
 - b. connector shall be extracted by specialised extraction JIG.
 Part No. : X.FL-LP-IN.OUT1(CL331-0715-2)
 Never hold the cable when extracting the cable because it damages the connector.
- ◆ Allowable loads on the cable after the connectors are mated.
 The right figures show the maximum allowable loads on the cable.
 Do not apply loads exceeding these values to the cable.

Insertion method

Extraction method 1

Extraction method 2

2	X.FL-LP(P)-068	CL331-0714-0-00	RoHS COMPLIANT	
1	HRM-200-066JBN(40)	CL323-0793-1-40	3	FWS5064(WHITE) KURABE INDUSTRIAL CO., LTD.
NO.	PART NO.	CODE NO.	NO.	PART NO. MANUFACTURER

UNITS mm	SCALE FREE	COUNT	DESCRIPTION OF REVISIONS	DESIGNED	CHECKED	DATE	
F	HIROSE ELECTRIC CO., LTD.	APPROVED	: KY. SHIMIZU	14. 11. 17	DRAWING NO. EDC4-361456-01		
F		CHECKED	: TO. KATAYAMA	14. 11. 17	PART NO. HRMJ-X.FL-068K3TS-A-100RS		
F		DESIGNED	: YI. FUNADA	14. 11. 14	CODE NO. CL321-6605-0-01		
F		DRAWN	: YI. FUNADA	14. 11. 14	<table border="1" style="float: right; border-collapse: collapse;"> <tr> <td style="width: 20px; height: 20px; text-align: center;">1</td> <td style="width: 20px; height: 20px; text-align: center;">1</td> </tr> </table>		1
1	1						

X-ON Electronics

Largest Supplier of Electrical and Electronic Components

Click to view similar products for [RF Cable Assemblies](#) category:

Click to view products by [Hirose](#) manufacturer:

Other Similar products are found below :

[73-6352-10](#) [73-6353-3](#) [73-6364-6](#) [R285001001](#) [R288940004](#) [R288940005](#) [145111-05-12.00](#) [1661-C-24](#) [1801171170914KE](#) [24P104C24J1-012](#) [24P104C24P1-006](#) [24P104C24P1-018](#) [24P204C24J1-003](#) [172-2150-EX](#) [1800920920914PJ](#) [FCB-3030-ALT](#) [21117-046](#) [21117-050](#) [PCX-24-50](#) [24P103C24P2-003](#) [25P203C25P2-003](#) [PTWY-24-78](#) [R284008001](#) [R285001021](#) [R285426000](#) [R288940003](#) [R288940008](#) [RF179-74BJ3-77RP1-0305](#) [4814-BB-24](#) [5260-72](#) [JT2N1-CL1-1F](#) [DLP-COAX1](#) [4814-K-48](#) [115101-09-06.00](#) [CCNTN2-MM-LL335-26](#) [73-6351-25](#) [73-6352-3](#) [73-6353-25](#) [1800920920610PJ](#) [GD0BQ0BQ024.0](#) [1-3636-600-5210](#) [TL8A-11SMA-11SMA-01500-51](#) [R284C0351060](#) [R288940009](#) [R284C0351028](#) [R288940002](#) [9702-1SL-1](#) [PT82NSMA](#) [73-6353-10](#) [R285020301W](#)