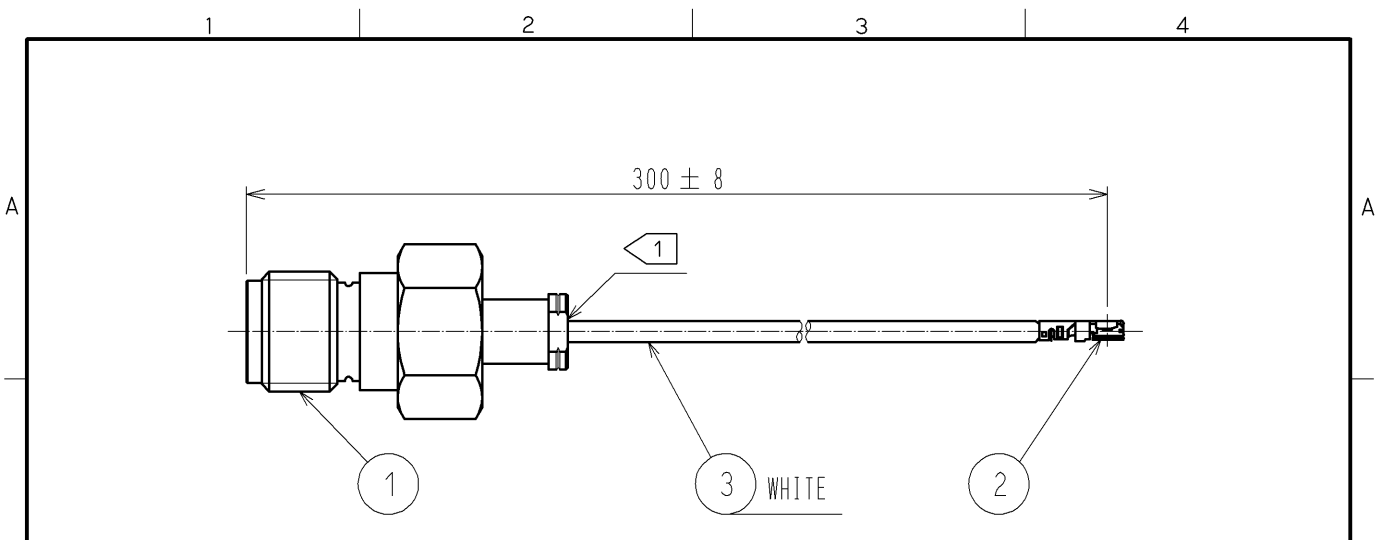
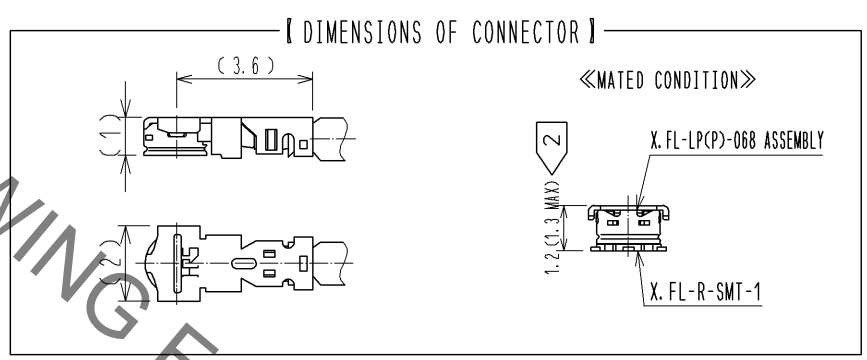


Aug.1.2019 Copyright 2019 HIROSE ELECTRIC CO., LTD. All Rights Reserved.
In case of consideration for using Automotive equipment / device which demand high reliability, kindly contact our sales window correspondents.

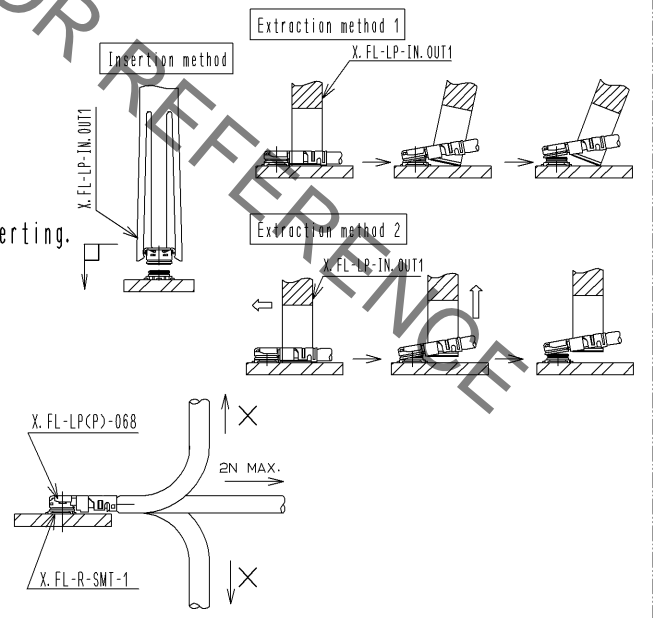


NOTE 1 Do not apply any excessive stress to the cable assembly position.
2 The drawing shows mated connector height only.



[PRECAUTIONS FOR HANDLING]

- ◆ Connector insertion and extraction
 - a. Insert the connector as perpendicularly to the mating surface as possible with aligning the mating axes of both connectors by specialised insertion JIG.
Part No. : W.FL-LP-IN(CL331-0323-2) or X.FL-LP-IN.OUT1(CL331-0715-2)
Do not excessively slant the connectors when inserting.
 - b. connector shall be extracted by specialised extraction JIG.
Part No. : X.FL-LP-IN.OUT1(CL331-0715-2)
Never hold the cable when extracting the cable because it damages the connector.



2	X.FL-LP(P)-068	CL331-0714-0-00	RoHS COMPLIANT		
1	HRM-200-066JBN(40)	CL323-0793-1-40	3	FWS5064(WHITE)	KURABE INDUSTRIAL CO., LTD.
NO.	PART NO.	CODE NO.	NO.	PART NO.	MANUFACTURER

UNITS mm		SCALE FREE	COUNT 	DESCRIPTION OF REVISIONS	DESIGNED	CHECKED	DATE
HIRS HIROSE ELECTRIC CO., LTD.				APPROVED : KY. SHIMIZU 14. 11. 17 CHECKED : TO. KATAYAMA 14. 11. 17 DESIGNED : YI. FUNADA 14. 11. 14 DRAWN : YI. FUNADA 14. 11. 14	DRAWING NO. EDC4-361456-02 PART NO. HRMJ-X.FL-068K3TS-A-300RS CODE NO. CL321-6605-0-02		

X-ON Electronics

Largest Supplier of Electrical and Electronic Components

Click to view similar products for [RF Cable Assemblies](#) category:

Click to view products by [Hirose](#) manufacturer:

Other Similar products are found below :

[73-6352-10](#) [73-6353-3](#) [73-6364-6](#) [R285001001](#) [R288940004](#) [R288940005](#) [145111-05-12.00](#) [1661-C-24](#) [1801171170914KE](#) [24P104C24J1-012](#) [24P104C24P1-006](#) [24P104C24P1-018](#) [24P204C24J1-003](#) [172-2150-EX](#) [1800920920914PJ](#) [FCB-3030-ALT](#) [21117-046](#) [21117-050](#) [PCX-24-50](#) [24P103C24P2-003](#) [25P203C25P2-003](#) [PTWY-24-78](#) [R284008001](#) [R285001021](#) [R285426000](#) [R288940003](#) [R288940008](#) [RF179-74BJ3-77RP1-0305](#) [4814-BB-24](#) [5260-72](#) [JT2N1-CL1-1F](#) [DLP-COAX1](#) [4814-K-48](#) [115101-09-06.00](#) [CCNTN2-MM-LL335-26](#) [73-6351-25](#) [73-6352-3](#) [73-6353-25](#) [1800920920610PJ](#) [GD0BQ0BQ024.0](#) [1-3636-600-5210](#) [TL8A-11SMA-11SMA-01500-51](#) [R284C0351060](#) [R288940009](#) [R284C0351028](#) [R288940002](#) [9702-1SL-1](#) [PT82NSMA](#) [73-6353-10](#) [R285020301W](#)