



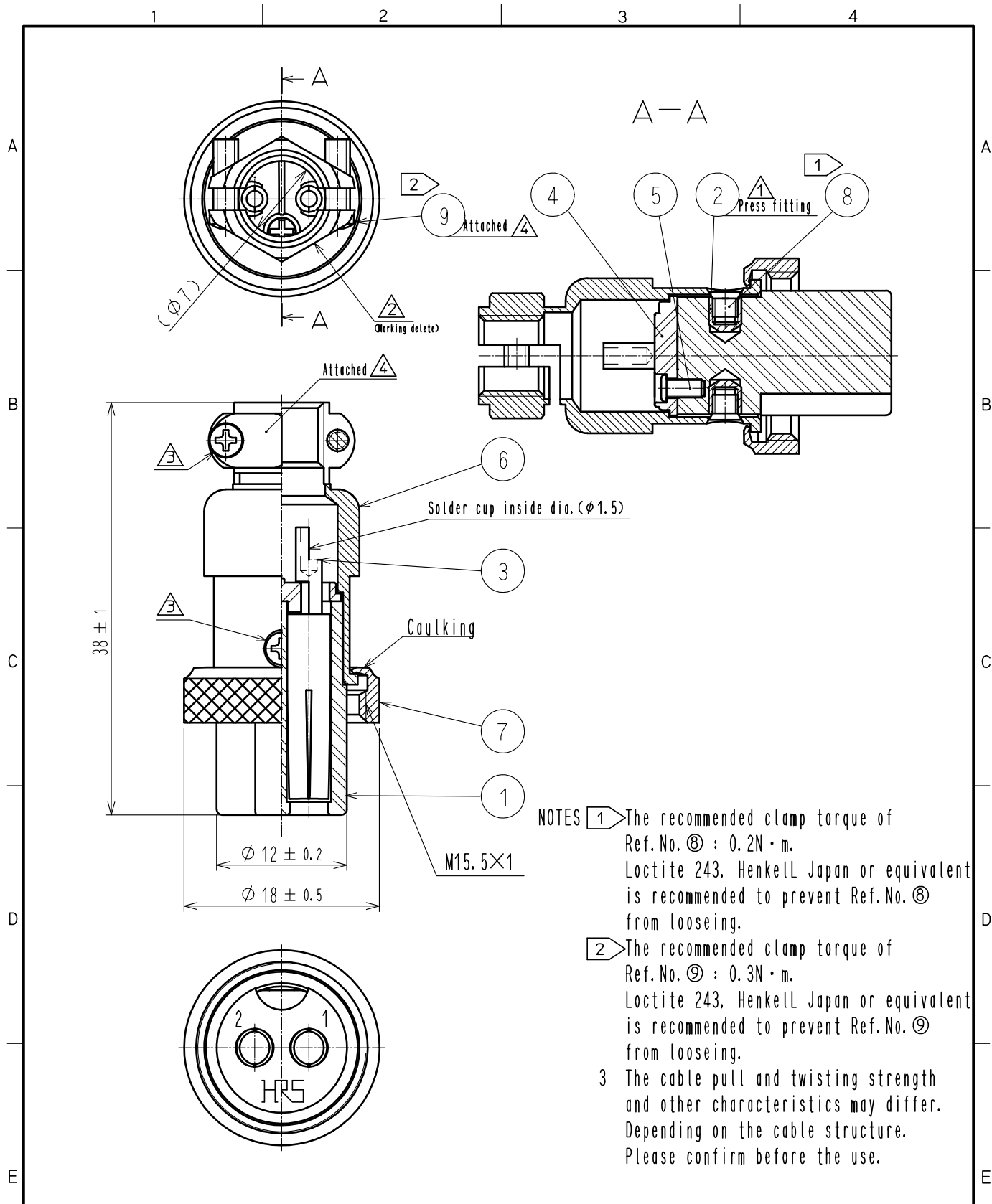


APPLICABLE STANDARD					
RATING	OPERATING TEMPERATURE RANGE	-25 °C TO +85 °C	STORAGE TEMPERATURE RANGE	-10 °C TO +60 °C	
	VOLTAGE	AC 350 V , DC 500 V			
	CURRENT	7 A	APPLICABLE CABLE	φ7	
<b>SPECIFICATIONS</b>					
ITEM	TEST METHOD	REQUIREMENTS	QT	AT	
<b>CONSTRUCTION</b>					
GENERAL EXAMINATION	VISUALLY AND BY MEASURING INSTRUMENT.	ACCORDING TO DRAWING.	X	X	
MARKING	CONFIRMED VISUALLY.		X	X	
<b>ELECTRIC CHARACTERISTICS</b>					
CONTACT RESISTANCE	CONTACT SHALL BE MEASURED AT DC 1 A	5 mΩ MAX.	X	X	
INSULATION RESISTANCE	500 V DC.	1000 MΩ MIN.	X	X	
VOLTAGE PROOF	1000 V AC. FOR 1 min.	NO FLASHOVER OR BREAKDOWN.	X	X	
<b>MECHANICAL CHARACTERISTICS</b>					
CONTACT INSERTION AND WITHDRAWAL FORCES	φ2.970 <sup>0</sup> <sub>-0.003</sub> BY STEEL GAUGE.	INSERTION AND WITHDRAWAL FORCES :1.5 N MIN	X	-	
CONNECTOR INSERTION AND WITHDRAWAL FORCES	MEASURED BY APPLICABLE CONNECTOR.	INSERTION AND WITHDRAWAL FORCES LOCKING DEVICE WITH UNLOCK : 30 N MAX.	X	-	
MECHANICAL OPERATION	1000 TIMES INSERTIONS AND EXTRACTIONS.	CONTACT RESISTANCE: 5 mΩ MAX.	X	-	
VIBRATION	FREQUENCY : 10 → 55 → 10(Hz) , SINGLE AMPLITUDE 0.75 mm. AT 2h, FOR 3 DIRECTIONS.	① NO ELECTRICAL DISCONTINUITY OF 10 μs. ② NO DAMAGE, CRACK AND LOOSENESS, OF PARTS.	X	-	
SHOCK	IN OPPOSITE DIRECTIONS OF EACH 3 DEMENSION AXIS FOR 3 TIMES AT 490 m/s <sup>2</sup> DURATIONS OF PULSE 11 ms.	① NO ELECTRICAL DISCONTINUITY OF 10 μs. ② NO DAMAGE, CRACK AND LOOSENESS, OF PARTS.	X	-	
<b>ENVIRONMENTAL CHARACTERISTICS</b>					
DAMP HEAT (STEADY STATE)	EXPOSED AT 40 °C, 90 TO 95 %, 96 h.	① INSULATION RESISTANCE: 10 MΩ MIN (AT HIGH HUMIDITY). ② INSULATION RESISTANCE: 100 MΩ MIN (AT DRY). ③ NO DAMAGE, CRACK AND LOOSENESS OF PARTS.	X	-	
RAPID CHANGE OF TEMPERATURE	TEMPERATURE -55→ R/T <sup>(1)</sup> → +85 → R/T °C TIME 30 →10 TO 15→ 30 →10 TO 15 min UNDER 5 CYCLES.	① INSULATION RESISTANCE: 1000 MΩ MIN.  ② NO DAMAGE, CRACK AND LOOSENESS OF PARTS.	X	-	
CORROSION SALT MIST	EXPOSED IN 5 % SALT WATER SPRAY FOR 48 h.	NO HEAVY CORROSION RUIN THE FUNCTION.	X	-	
DRY HEAT	EXPOSED AT + 85 °C , 96 h.	NO DAMAGE, CRACK AND LOOSENESS OF PARTS.	X	-	
COLD	EXPOSED AT - 55 °C , 96 h.	NO DAMAGE, CRACK AND LOOSENESS OF PARTS.	X	-	
RESISTANCE TO SOLDERING HEAT	SOLDERED AT SOLDERING IRON BIT TEMPERATURE +380±10°C FOR 3 <sup>+1</sup> <sub>0</sub> s.	NO DEFORMATION OF CASE OF EXCESSIVE LOOSENESS OF THE TERMINALS.	X	-	
SOLDERABILITY	SOLDERED AT SOLDERING IRON BIT TEMPERATURE +350±10°C FOR 2 TO 3 s.	WETTING ON SOLDER SURFACE. NO SOLDER CLUSTER.	X	-	
	COUNT	DESCRIPTION OF REVISIONS	DESIGNED	CHECKED	DATE
	1	DIS-C-00000966	HY. KISHI	HY. KOBAYASHI	16.05.14
REMARK			APPROVED	HY. KOBAYASHI	15.09.30
NOTE (1) R/T : ROOM TEMPERATURE.			CHECKED	HY. KOBAYASHI	15.09.30
Unless otherwise specified, refer to JIS C 5402. (IEC60512)			DESIGNED	HY. KISHI	15.09.30
			DRAWN	HY. KISHI	15.09.30
Note QT:Qualification Test AT:Assurance Test X:Applicable Test			DRAWING NO.	ELC-119226-00-00	
	SPECIFICATION SHEET		PART NO.	HS12PA-2	
	HIROSE ELECTRIC CO., LTD.		CODE NO.	CL101-0600-0-00	 1/1



- NOTES
- ① The recommended clamp torque of Ref.No. ⑧ : 0.2N·m. Loctite 243, Henkell Japan or equivalent is recommended to prevent Ref.No. ⑧ from looseing.
  - ② The recommended clamp torque of Ref.No. ⑨ : 0.3N·m. Loctite 243, Henkell Japan or equivalent is recommended to prevent Ref.No. ⑨ from looseing.
  - ③ The cable pull and twisting strength and other characteristics may differ. Depending on the cable structure. Please confirm before the use.

5	Steel	Nickel plating					
4	PPS	Black (UL94V-0)	9	Steel	⊚	Nickel plating	
3	Brass	Nickel plating 0.8μm min.	8	Steel	⊚	Nickel plating	
2	Brass	Nickel plating	7	Brass		Nickel plating	
1	PPS	Black (UL94V-0)	6	Brass		Nickel plating	
NO.	MATERIAL	FINISH . REMARKS	NO.	MATERIAL	FINISH . REMARKS		
UNITS mm		SCALE 2 : 1	COUNT ⊚ 2	DESCRIPTION OF REVISIONS DIS-C-00000643	DESIGNED HY. KISHI	CHECKED HY. KOBAYASHI	DATE 15.12.08
HIROSE ELECTRIC CO., LTD.		APPROVED ·HY. KOBAYASHI	15.09.30	DRAWING NO.	EDC-119226-00-00		
		CHECKED ·HY. KOBAYASHI	15.09.30	PART NO.	HS12PA-2		
		DESIGNED ·HY. KISHI	15.09.30	CODE NO.	CL101-0600-0-00		⊚ 1
		DRAWN ·HY. KISHI	15.09.30				1

## X-ON Electronics

Largest Supplier of Electrical and Electronic Components

*Click to view similar products for [Standard Circular Connector](#) category:*

*Click to view products by [Hirose](#) manufacturer:*

Other Similar products are found below :

[5M2530B10P](#) [600259N006](#) [600273N007](#) [6134-336-13149](#) [6134-337-11149](#) [6134-337-2390](#) [6134-341-17149](#) [6280-4SG-516](#) [6280-7SG-3DC](#)  
[6290](#) [6291A](#) [66200A-10](#) [680-SMG](#) [681-PMG](#) [CXS3102A14S2P](#) [CXS3102A181S](#) [7251-6SG-300](#) [7271-6SG-300](#) [7282-3PG-300-CH3](#) [75-](#)  
[474014-05S](#) [75-474618-01S](#) [75-474618-04S](#) [799539-000](#) [MI8-SE](#) [805-005-07NF11-19PC](#) [805-005-07NF15-7PA](#) [8280-4PG-516](#) [8280-7PG-](#)  
[519](#) [8282-5PG-519](#) [836783-1](#) [MP-4102-25P-C](#) [862256-1](#) [864019-2](#) [866857-1](#) [867865-1](#) [PT01SP-14-18P](#) [PT08P-14-5S](#) [PTSF06SE-14-12S](#)  
[120-1833-000](#) [QCM019PC2DC012B](#) [1-2069279-1](#) [121583-0217](#) [121667-0020](#) [129591AU](#) [1000B BULK](#) [RD10A16-19-P6CS051/1](#)  
[RD10A20-31-P8CS051/1](#) [RD16A14-12-S6CS051/2](#) [1301240290](#) [1301240347](#) [1301860202](#)