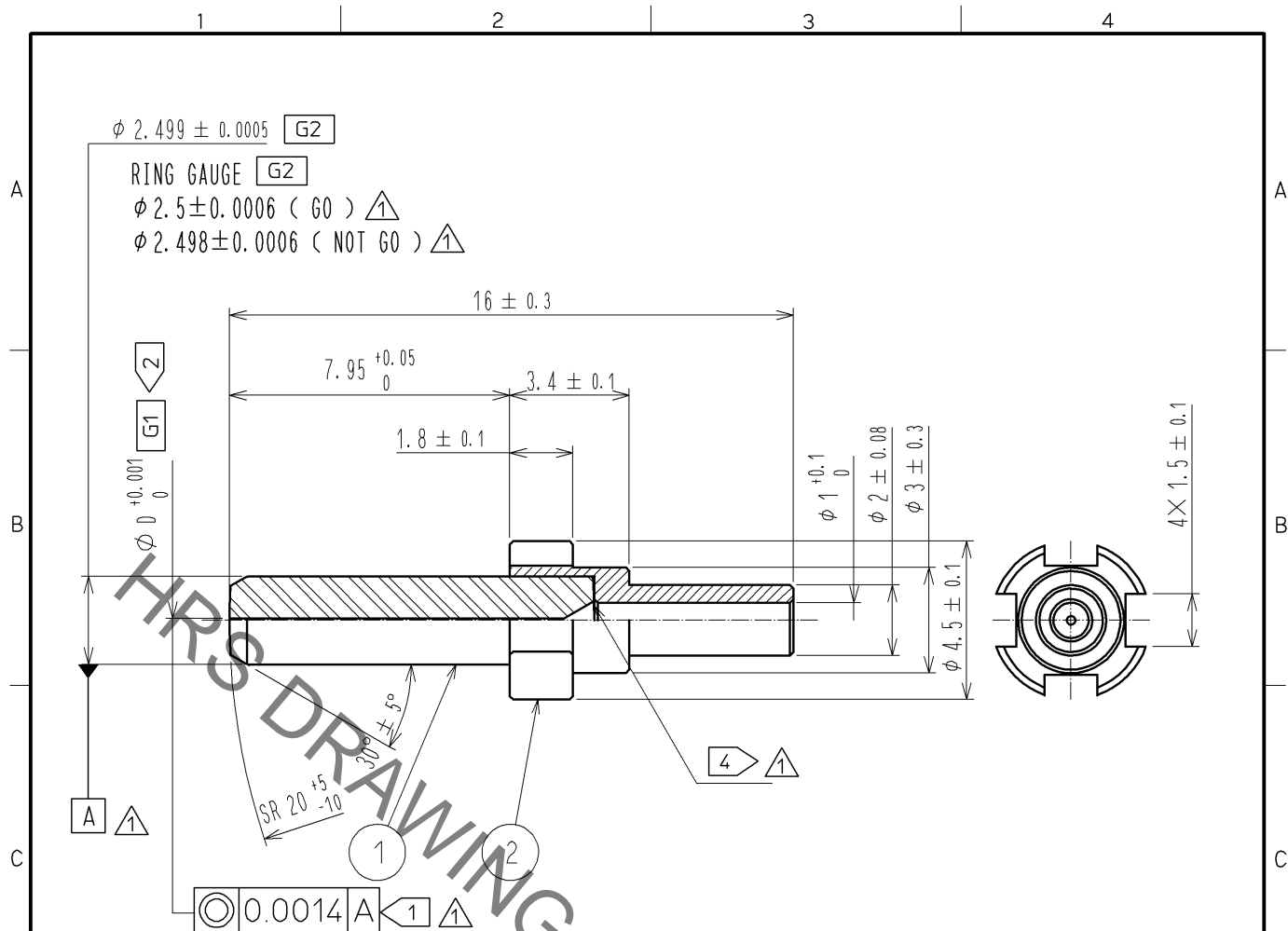


May.1.2021 Copyright 2021 HIROSE ELECTRIC CO., LTD. All Rights Reserved.
 In case of consideration for using Automotive equipment / device which demand high reliability, kindly contact our sales window correspondents.



- NOTE. \triangle 1 The concentricity of ϕD to datum A at the ferrule end face, should be 0.0007 mm or less.
- \triangle 2 ' ϕD ' is inner diameter of ①. Please refer to the table 1 for the part No. and code No. corresponding to the ' ϕD '.
- \triangle 3 The pull-out force of ① from ② is more than 98.1N.
- \triangle 4 The distance between the rear edge of ① and the bottom of ②'s hole, should be 0.1 mm or less.
- \triangle 5 Packed into 100 pieces per package.

TABLE 1 \triangle

ϕD	PIN GAUGE (± 0.00015) G1	PART NO.	CODE NO.
0.1250	0.125 (GO) , 0.1265 (NOT GO) \triangle	HSC-F3E2-A125(11)	CL704-0590-9-11
0.1255	0.1255 (GO) , 0.1270 (NOT GO) \triangle	HSC-F3E2-A1255(11)	CL704-0571-4-11
0.1260	0.126 (GO) , 0.1275 (NOT GO) \triangle	HSC-F3E2-A126(11)	CL704-0591-1-11

1	Zirconia		2	Stainless steel			
NO.	MATERIAL	FINISH . REMARKS	NO.	MATERIAL	FINISH . REMARKS		
UNITS mm	\odot ∇	SCALE 5 : 1	COUNT \triangle 14	DESCRIPTION OF REVISIONS DIS-K-002575	DESIGNED KS. JOKURA	CHECKED FS. YOSHIDA	DATE 12. 03. 22
HIROSE ELECTRIC CO., LTD.		APPROVED : MT. SHIBUTANI	11. 05. 13	DRAWING NO. EDC4-176962-00			
		CHECKED : FS. YOSHIDA	11. 05. 12	PART NO. HSC-F3E2-A*** (11)			
		DESIGNED : TY. SATO	11. 05. 12	CODE NO.			
		DRAWN : SR. TOYOKAWA	11. 04. 21				
\triangle 1/1							

X-ON Electronics

Largest Supplier of Electrical and Electronic Components

Click to view similar products for [Fibre Optic Connectors](#) category:

Click to view products by [Hirose](#) manufacturer:

Other Similar products are found below :

[0004700001](#) [6100-R](#) [6313](#) [F709722200](#) [F709730000](#) [F718183204](#) [F727403500](#) [F727752800](#) [8119](#) [9440F20-27S-190](#) [944-120-6001](#)
[9441F10SL-3S](#) [9444W28-21S](#) [9444W36-10S](#) [9446W20-16S](#) [953-101-5310-P](#) [954-101-57202B](#) [A0270169](#) [12-9122](#) [12-5702](#) [AX101713](#)
[AX102420](#) [AX103923](#) [AX104024](#) [AX104193](#) [AX104230](#) [AX104562](#) [AX105203-B25](#) [AX105205-S1](#) [EHSC2M](#) [17-300800](#) [181-011-126](#)
[181-011-S](#) [181-057-126](#) [NKSOPBUY](#) [20500002116](#) [2064996-1](#) [20800001065](#) [2170](#) [9132](#) [2612](#) [2620](#) [9291](#) [9440F16-10S](#) [9440F20-18S](#)
[9446F16-10S-190](#) [953-106-50231](#) [953-120-5003](#) [955-120-5110](#) [1757711-1](#)