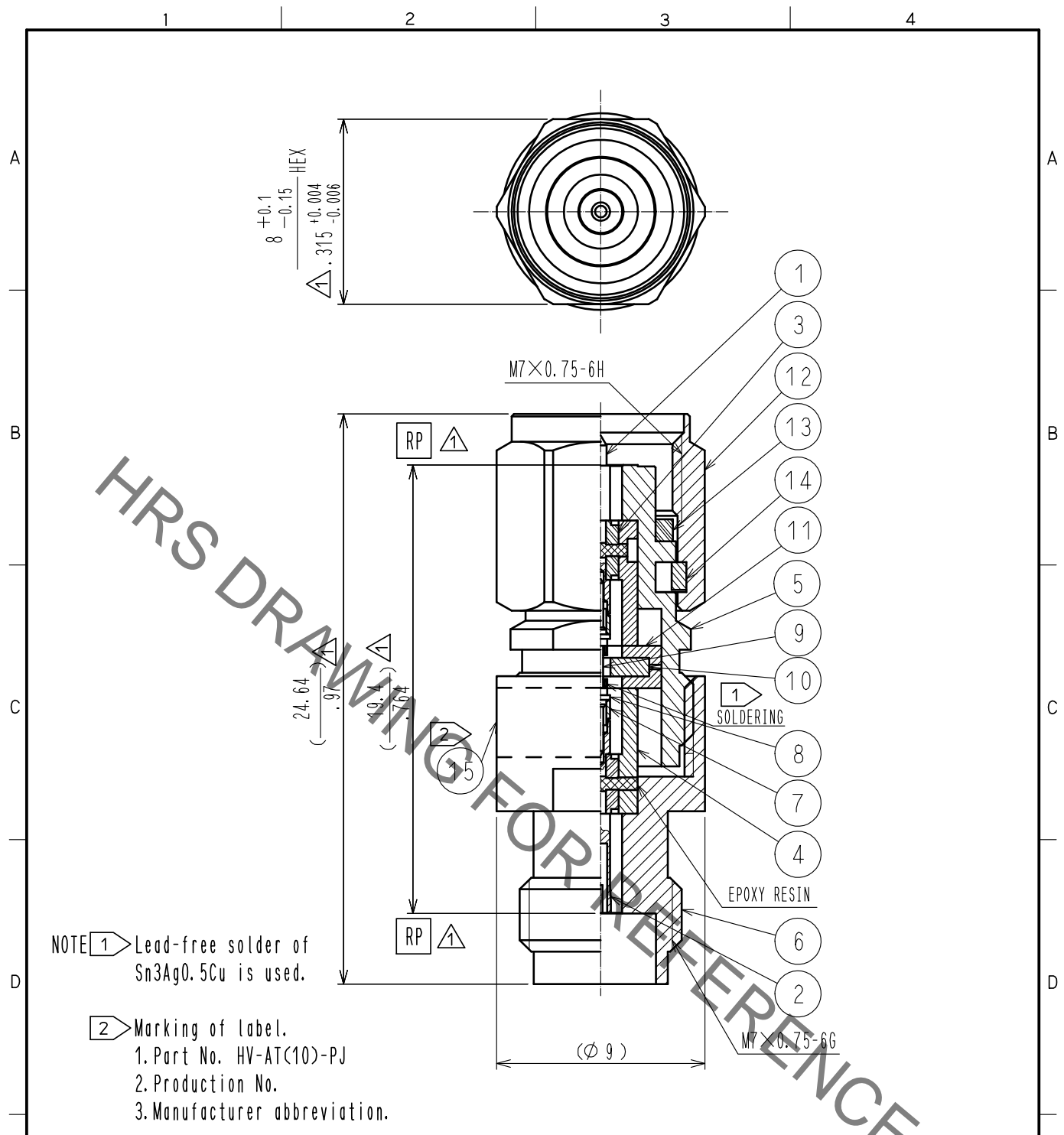


Sep.1.2021 Copyright 2021 HIROSE ELECTRIC CO., LTD. All Rights Reserved.
 In case of consideration for using Automotive equipment / device which demand high reliability, kindly contact our sales window correspondents.



NOTE 1 Lead-free solder of Sn3Ag0.5Cu is used.

2 Marking of label.
 1. Part No. HV-AT(10)-PJ
 2. Production No.
 3. Manufacturer abbreviation.

△ (Delete description)

8	BRASS	GOLD PLATING					
7	BERYLLIUM COPPER	GOLD PLATING	15	BERYLLIUM COPPER	LABEL		
6	STAINLESS STEEL	PASSIVATE	14	BERYLLIUM COPPER	NICKEL PLATING		
5	STAINLESS STEEL	PASSIVATE	13	SILICONE RUBBER			
4	STAINLESS STEEL	GOLD PLATING	12	STAINLESS STEEL	PASSIVATE		
3	PTFE		11	ALUMINIUM			
2	BERYLLIUM COPPER	GOLD PLATING	10	BRASS	GOLD PLATING		
1	BRASS	GOLD PLATING	9	ALUMINA			
NO.	MATERIAL	FINISH	REMARKS	NO.	MATERIAL	FINISH	REMARKS

UNITS mm		SCALE 4 : 1	COUNT 6	DESCRIPTION OF REVISIONS DIS-D-00004617	DESIGNED HA. NISHIMURA	CHECKED NK. NINOMIYA	DATE 20191225
HIROSE ELECTRIC CO., LTD.				APPROVED : KY. SHIMIZU 20141218 CHECKED : TO. KATAYAMA 20141218 DESIGNED : YI. FUNADA 20141217 DRAWN : YI. FUNADA 20141217	DRAWING NO. EDC4-180472-00 PART NO. HV-AT(10)-PJ CODE NO. CL354-0247-0-00		

X-ON Electronics

Largest Supplier of Electrical and Electronic Components

Click to view similar products for [Attenuators - Interconnects](#) category:

Click to view products by [Hirose](#) manufacturer:

Other Similar products are found below :

[R411803119](#) [R413806115](#) [R413808000](#) [R413810115](#) [R413850115](#) [R414510000](#) [R414701000](#) [R415303000](#) [BNC-13](#) [R411800121](#)
[R411801121](#) [R412412124](#) [R412450000](#) [R413800000](#) [R413805000](#) [R413830000](#) [R413840115](#) [R414730000](#) [R415420000](#) [R415703000](#)
[R416010000](#) [R420003110](#) [R411801000](#) [R411815121](#) [R413305000](#) [R413801000](#) [R414520000](#) [R411808121](#) [R412500124](#) [R412414124](#)
[R412501124](#) [HMC-C584](#) [R413802000](#) [R412400124](#) [R411700124](#) [R417310130](#) [R411801119](#) [R412419124](#) [R411703124](#) [R412401124](#)
[R443131000](#) [R417130110](#) [R414700000](#) [R414505000](#) [R411802119](#) [R417720128](#) [R420706110](#) [R413811000](#) [R413803115](#) [R414501000](#)