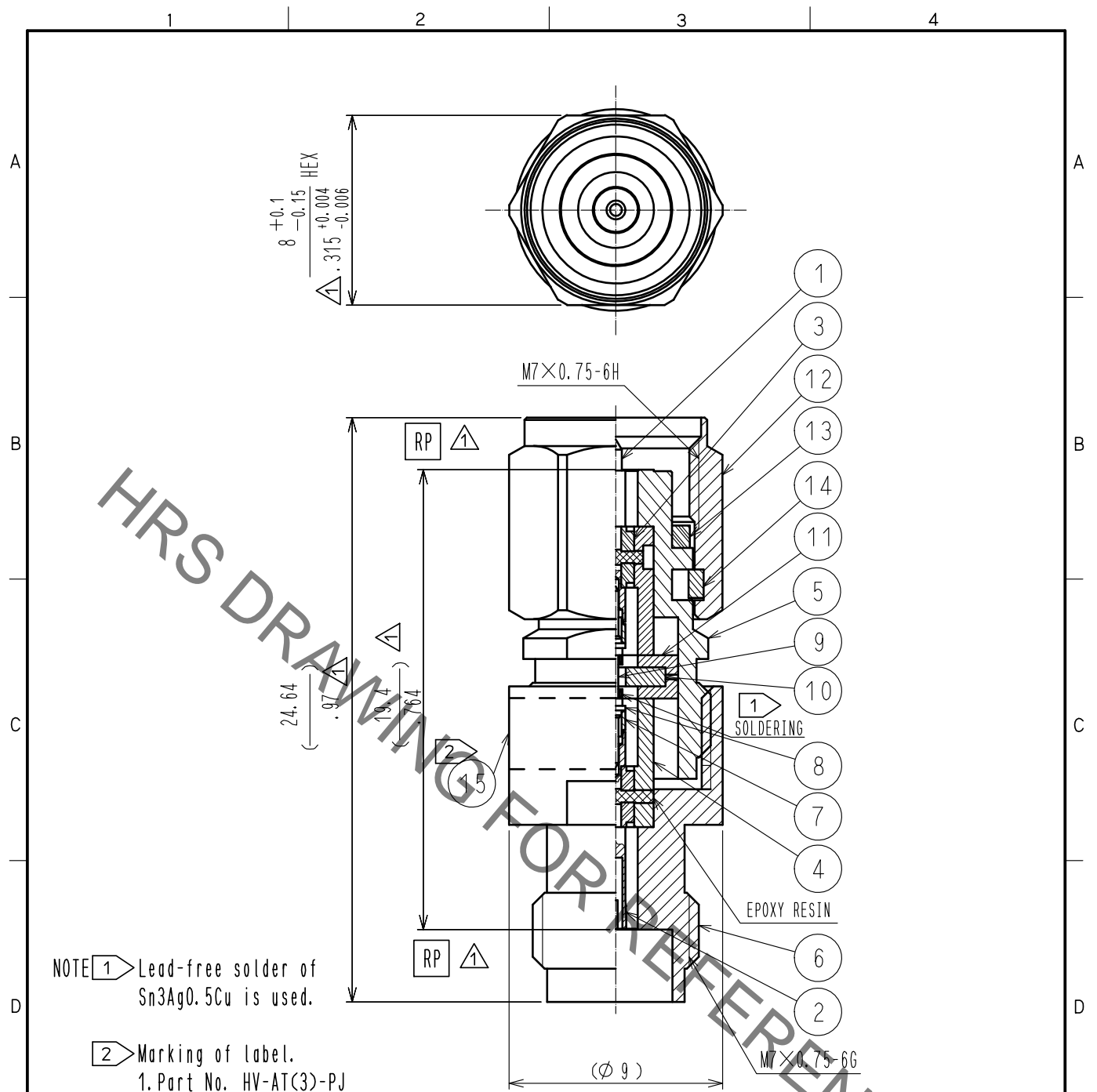


Sep. 1. 2021 Copyright 2021 HIROSE ELECTRIC CO., LTD. All Rights Reserved.  
 In case of consideration for using Automotive equipment / device which demand high reliability, kindly contact our sales window correspondents.



- NOTE 1 Lead-free solder of Sn3Ag0.5Cu is used.
- 2 Marking of label.  
 1. Part No. HV-AT(3)-PJ  
 2. Production No.  
 3. Manufacturer abbreviation.
- ⚠ (Delete description)

| 8   | BRASS            | GOLD PLATING |         |                  |                |        |         |
|-----|------------------|--------------|---------|------------------|----------------|--------|---------|
| 7   | BERYLLIUM COPPER | GOLD PLATING | 15      | BERYLLIUM COPPER | LABEL          |        |         |
| 6   | STAINLESS STEEL  | PASSIVATE    | 14      | BERYLLIUM COPPER | NICKEL PLATING |        |         |
| 5   | STAINLESS STEEL  | PASSIVATE    | 13      | SILICONE RUBBER  |                |        |         |
| 4   | STAINLESS STEEL  | GOLD PLATING | 12      | STAINLESS STEEL  | PASSIVATE      |        |         |
| 3   | PTFE             |              | 11      | ALUMINIUM        |                |        |         |
| 2   | BERYLLIUM COPPER | GOLD PLATING | 10      | BRASS            | GOLD PLATING   |        |         |
| 1   | BRASS            | GOLD PLATING | 9       | ALUMINA          |                |        |         |
| NO. | MATERIAL         | FINISH       | REMARKS | NO.              | MATERIAL       | FINISH | REMARKS |

|                           |  |                                 |                            |  |                           |                         |                  |
|---------------------------|--|---------------------------------|----------------------------|--|---------------------------|-------------------------|------------------|
| UNITS<br>mm               |  | SCALE<br>4 : 1                  | COUNT<br>⚠ 6               | DESCRIPTION OF REVISIONS<br>DIS-D-00004617 | DESIGNED<br>HA. NISHIMURA | CHECKED<br>NK. NINOMIYA | DATE<br>20191225 |
| HIROSE ELECTRIC CO., LTD. |  | APPROVED : KY. SHIMIZU 20141218 | DRAWING NO. EDC4-180470-00 |  |                           |                         |                  |
|                           |  | CHECKED : TO. KATAYAMA 20141218 | PART NO. HV-AT(3)-PJ       |  |                           |                         |                  |
|                           |  | DESIGNED : YI. FUNADA 20141217  | CODE NO. CL354-0245-4-00   |  |                           |                         |                  |
|                           |  | DRAWN : YI. FUNADA 20141217     | 1/1                        |  |                           |                         |                  |

## X-ON Electronics

Largest Supplier of Electrical and Electronic Components

*Click to view similar products for [Attenuators - Interconnects](#) category:*

*Click to view products by [Hirose](#) manufacturer:*

Other Similar products are found below :

[R411803119](#) [R413806115](#) [R413808000](#) [R413810115](#) [R413850115](#) [R414510000](#) [R414701000](#) [R415303000](#) [BNC-13](#) [R411800121](#)  
[R411801121](#) [R412412124](#) [R412450000](#) [R413800000](#) [R413805000](#) [R413830000](#) [R413840115](#) [R414730000](#) [R415420000](#) [R415703000](#)  
[R416010000](#) [R420003110](#) [R411801000](#) [R411815121](#) [R413305000](#) [R413801000](#) [R414520000](#) [R411808121](#) [R412500124](#) [R412414124](#)  
[R412501124](#) [HMC-C584](#) [R413802000](#) [R412400124](#) [R411700124](#) [R417310130](#) [R411801119](#) [R412419124](#) [R411703124](#) [R412401124](#)  
[R443131000](#) [R417130110](#) [R414700000](#) [R414505000](#) [R411802119](#) [R417720128](#) [R420706110](#) [R413811000](#) [R413803115](#) [R414501000](#)