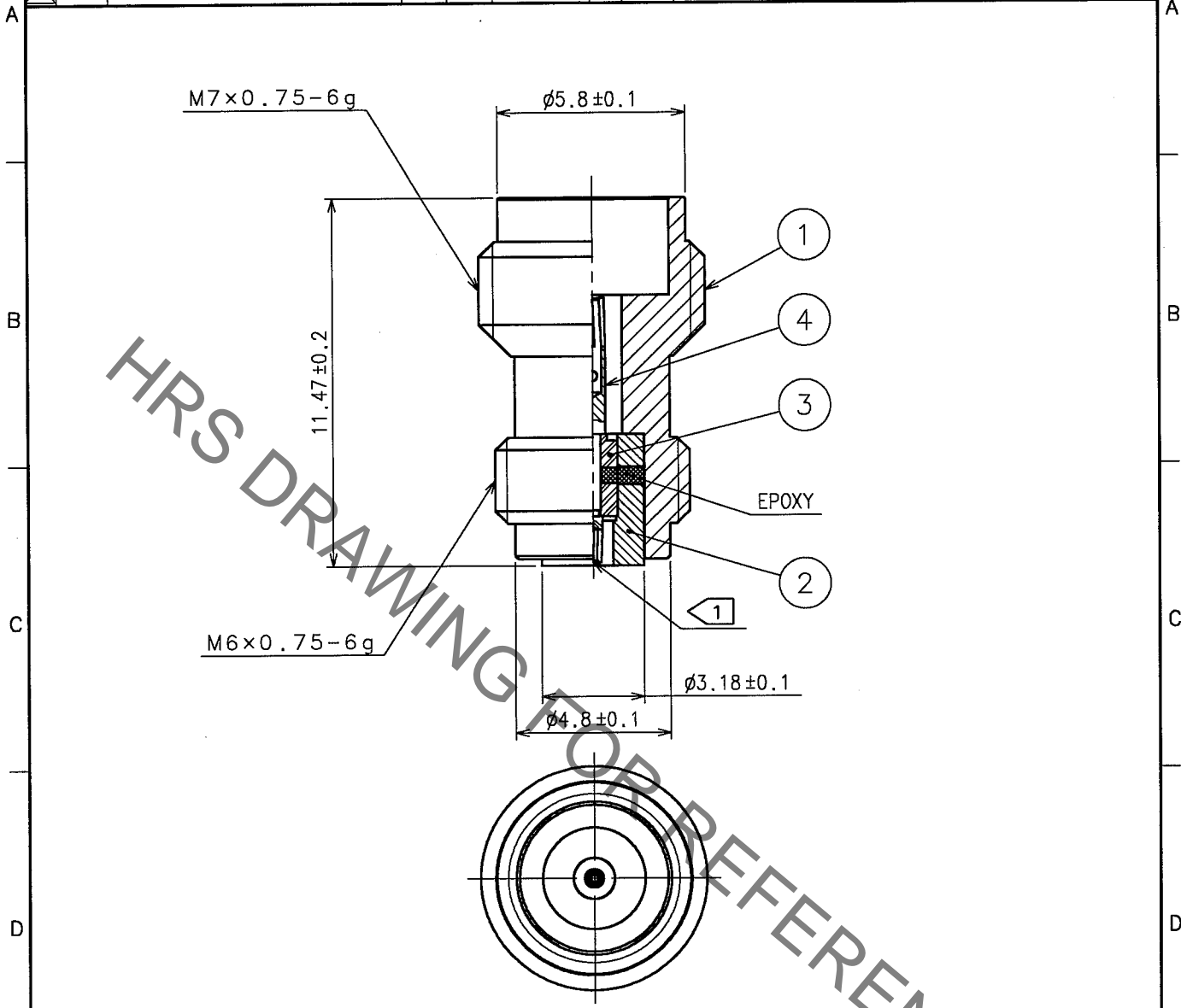


May.1.2020 Copyright 2020 HIROSE ELECTRIC CO., LTD. All Rights Reserved.
In case of consideration for using Automotive equipment / device which demand high reliability, kindly contact our sales window correspondents.

1		2			3			4		
COUNT	DESCRIPTION OF REVISIONS	BY	CHKD	DATE	COUNT	DESCRIPTION OF REVISIONS	BY	CHKD	DATE	
△					△				..	
△					△				..	
△					△				..	



NOTE ① PIN OD. $\phi 0.23$ HERMETIC SEAL APPLIES TO THIS CONNECTOR.

2 ASSEMBLED BLOCK CONSISTING REF. NO. ②③④ IS AN ATTACHED PRODUCT. REF. NO. ① SHALL BE IN PAIR WITH ATTACHED ASSEMBLED BLOCK.

2	STAINLESS STEEL	GOLD PLATING	4	BERYLLIUM COPPER	GOLD PLATING
1	STAINLESS STEEL	PASSIVATE	3	PTFE	
NO.	MATERIAL	FINISH, REMARKS	NO.	MATERIAL	FINISH, REMARKS

CODE NO. (OLD) CL396-6555-6		DRAWN N. Asawa '03.4.14	DESIGNED N. Asawa '03.4.14	CHECKED J. Nishida '03.4.14	APPROVED Kobayashi '03.04.15	RELEASED
--------------------------------	--	-------------------------------	----------------------------------	-----------------------------------	------------------------------------	----------

 SCALE 5 : 1 UNITS mm	DRAWING NO. EDC4-300258	PART NO. HV-BR01
	 HIROSE ELECTRIC CO., LTD.	CODE NO. CL338-0200-7

TO
RF

1/1

X-ON Electronics

Largest Supplier of Electrical and Electronic Components

Click to view similar products for [RF Connectors / Coaxial Connectors](#) category:

Click to view products by [Hirose](#) manufacturer:

Other Similar products are found below :

[8915-1511-000](#) [89674-0827](#) [6001-7071-019](#) [6002-7051-003](#) [6002-7551-202](#) [6059674-1](#) [619550-1](#) [630059-000](#) [M39030/3-01N](#) [M3933/25-36N](#) [6500-7071-046](#) [6769](#) [CX050L2AQ](#) [7002-1542-011](#) [7004-1512-000](#) [7009-1511-004](#) [7010-1511-000](#) [7029-1511-060](#) [7101-1541-010](#) [7101-1571-002](#) [7105-1521-002](#) [7145-1521-002](#) [7203-1571-003](#) [7209-1511-011](#) [7210-1511-015](#) [7210-1511-019](#) [73137-5015](#) [73216-2241](#) [7325-1512-000](#) [73404-2300](#) [7405-1521-005](#) [7405-1521-802](#) [7406-1521-005](#) [8527](#) [8547](#) [FS11V](#) [8808-1511-001](#) [9049-9513-000](#) [9074-9513-000](#) [9101-9573-002](#) [910A205F](#) [9130-9573-002](#) [PL11SC-026](#) [PL375-33](#) [PL40-5](#) [PL71-9](#) [PL74C-221](#) [PL75MC-217](#) [PL803-7](#) [980-8666-005](#)