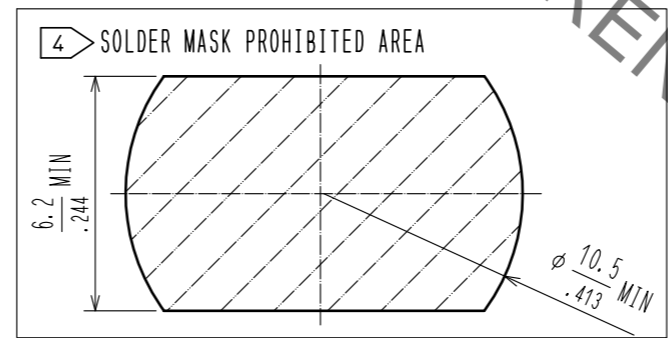
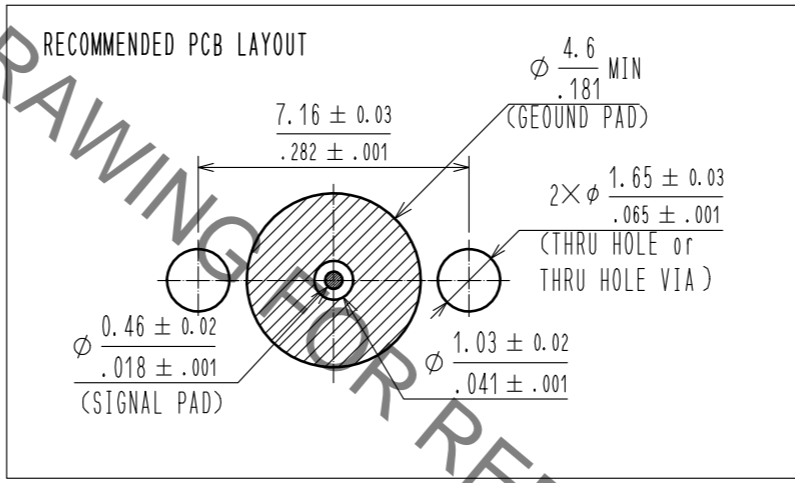
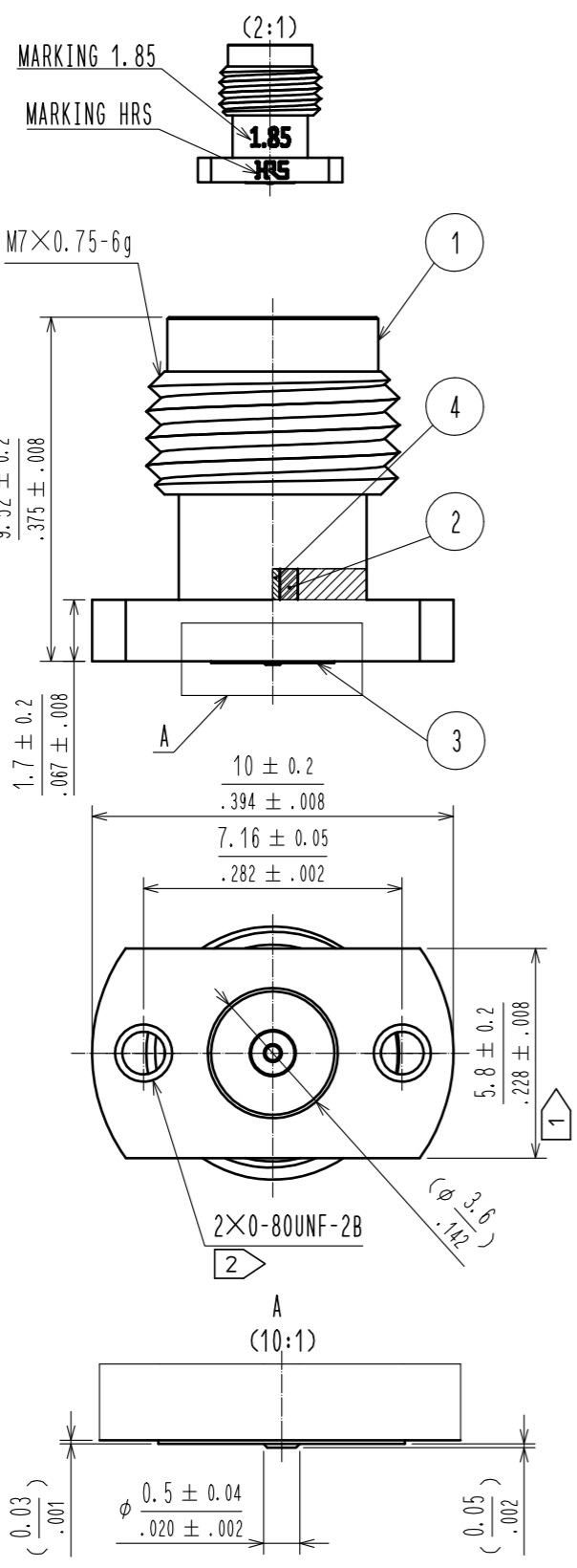
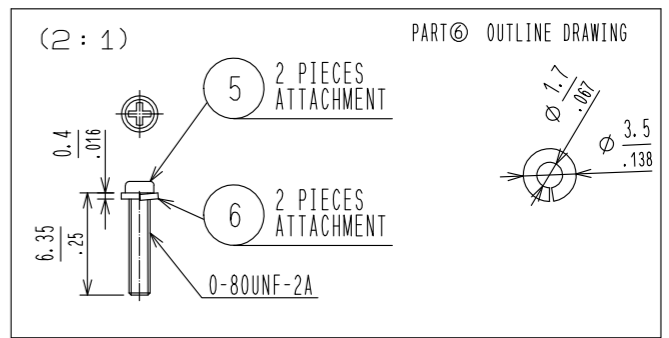
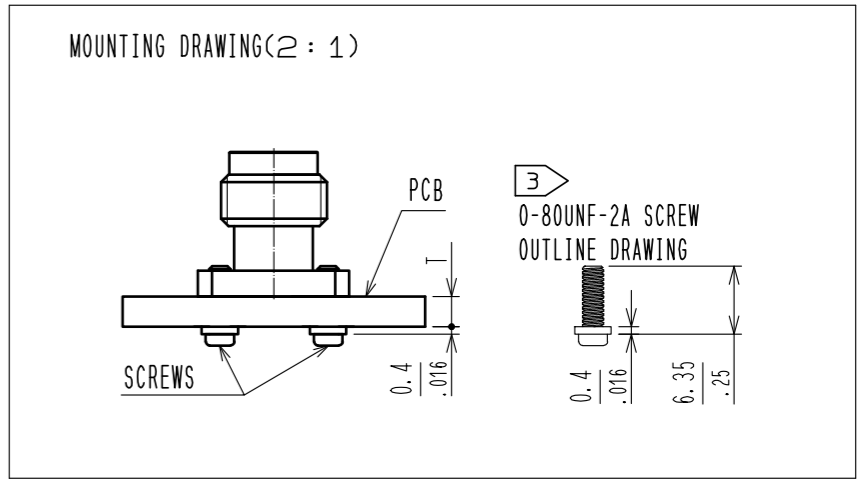


Sep.1.2021 Copyright 2021 HIROSE ELECTRIC CO., LTD. All Rights Reserved.
In case of consideration for using Automotive equipment / device which demand high reliability, kindly contact our sales window correspondents.



- 1 PLEASE HOLD THE FLANGE WITH A SPANNER WHEN MATING THE CONNECTOR TO AVOID ANY TORQUE ACTING ON THE PCB.
- 2 0-80UNF-2B SCREWS TIGHTENING TORQUE SHOULD BE 0.09N · m. PLEASE TIGHTEN THE SCREWS EVENLY WHEN MOUNTING THE CONNECTORS TO ENSURE STABLE ELECTRICAL CONTACT.
- 3 PLEASE USE ATTACHED SCREWS AND WASHERS FOR MOUNTING. ATTACHED SCREWS AND WASHERS ARE APPLICABLE ON PCB WITH THICKNESS T=2.4 TO 4.25mm.
- 4 THE SOLDER MASK PROHIBITED AREA IS INDICATED.
5. LAND PATTERN AND VIA LAYOUT DEPENDS ALSO ON ELECTRIC CONSTANT, THICKNESS AND LAYER CONSTRUCTION OF PCB. FOR BETTER RF PERFORMANCE, EM SIMULATION OF PCB WITH CONNECTOR IS RECOMMENDED.
6. THIS CONNECTOR SHOULD ONLY BE USED FOR TEST PORT.



NO.	MATERIAL	FINISH	REMARKS	NO.	MATERIAL	FINISH	REMARKS
3	STAINLESS STEEL	GOLD PLATING		6	STAINLESS STEEL	SPRING WASHER	
2	PTFE			5	STEEL	0-80UNF-A SCREW	
1	STAINLESS STEEL	PASSIVATE		4	BERYLLIUM COPPER	GOLD PLATING	

UNITS	SCALE	COUNT	DESCRIPTION OF REVISIONS	DESIGNED	CHECKED	DATE
mm	5 : 1	△				

APPROVED : TS. NOBE	20190108	DRAWING NO.	EDC-380932-11-00
CHECKED : MH. OGUSU	20190108	PART NO.	HV-R-SR2(11)
DESIGNED : AH. MARUYAMA	20190108	CODE NO.	CL338-0010-0-11
DRAWN : AH. MARUYAMA	20190108		

X-ON Electronics

Largest Supplier of Electrical and Electronic Components

Click to view similar products for [RF Connectors / Coaxial Connectors](#) category:

Click to view products by [Hirose](#) manufacturer:

Other Similar products are found below :

[8915-1511-000](#) [89674-0827](#) [6001-7071-019](#) [6002-7051-003](#) [6002-7551-202](#) [6059674-1](#) [619550-1](#) [630059-000](#) [M39030/3-01N](#) [6500-7071-046](#) [6769](#) [CX050L2AQ](#) [7002-1542-011](#) [7004-1512-000](#) [7009-1511-004](#) [7010-1511-000](#) [7029-1511-060](#) [7101-1541-010](#) [7101-1571-002](#) [7105-1521-002](#) [7145-1521-002](#) [7203-1571-003](#) [7209-1511-011](#) [7210-1511-015](#) [7210-1511-019](#) [73137-5015](#) [73216-2241](#) [7325-1512-000](#) [73404-2300](#) [7405-1521-005](#) [7405-1521-802](#) [7406-1521-005](#) [8527](#) [8547](#) [FS11V](#) [8808-1511-001](#) [9049-9513-000](#) [9074-9513-000](#) [9101-9573-002](#) [910A205F](#) [9130-9573-002](#) [PL11SC-026](#) [PL375-33](#) [PL40-5](#) [PL71-9](#) [PL74C-221](#) [PL75MC-217](#) [PL803-7](#) [980-8666-005](#) [1200690078](#)