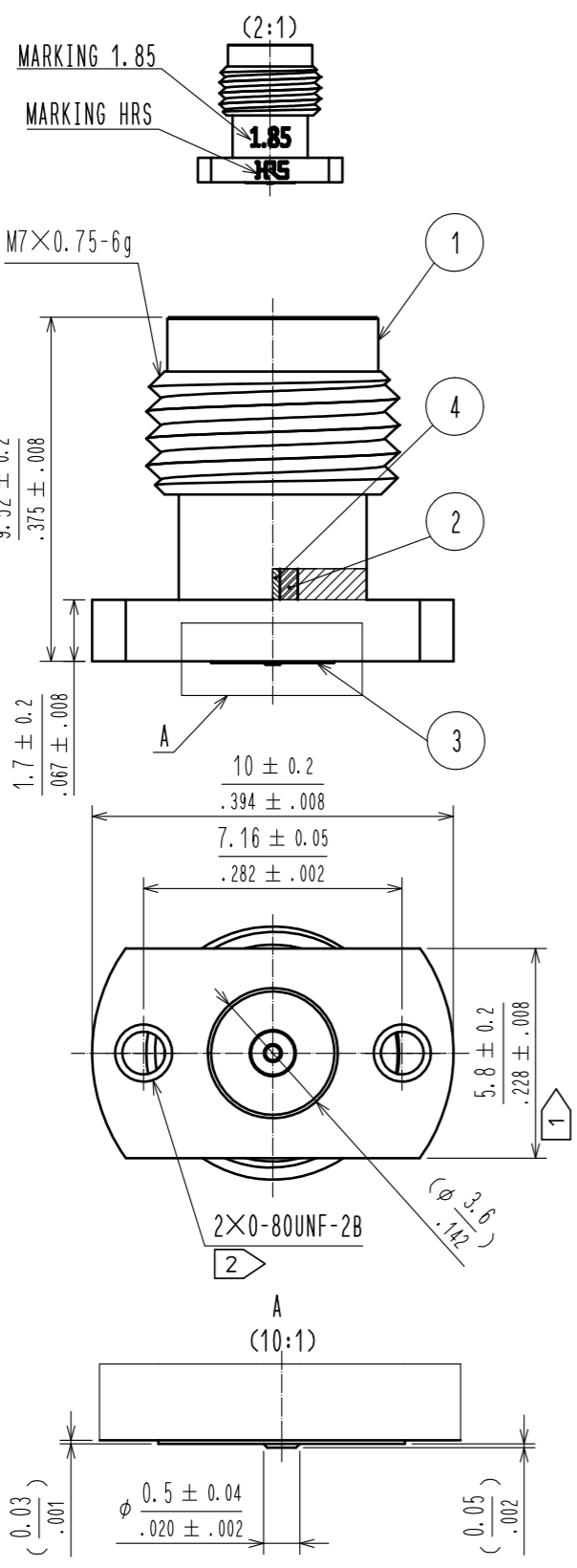
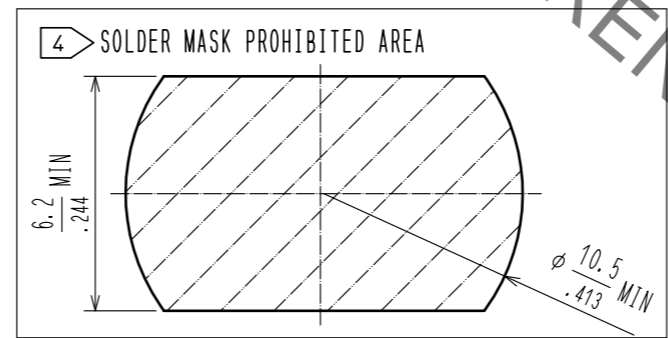
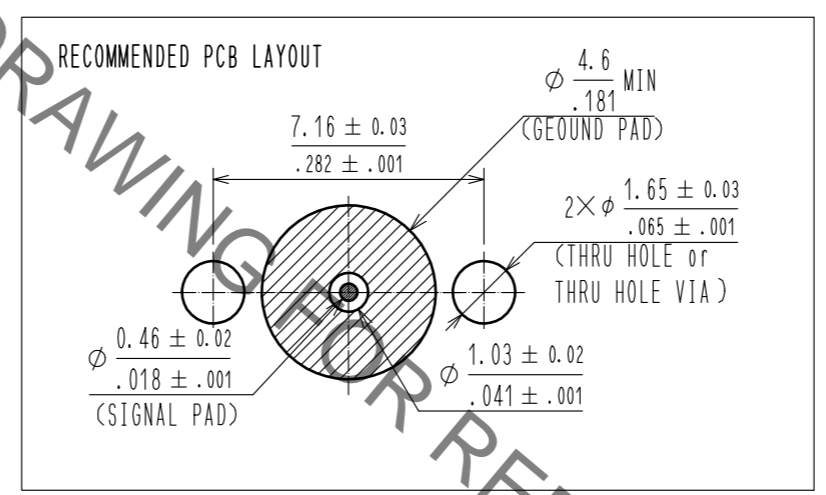


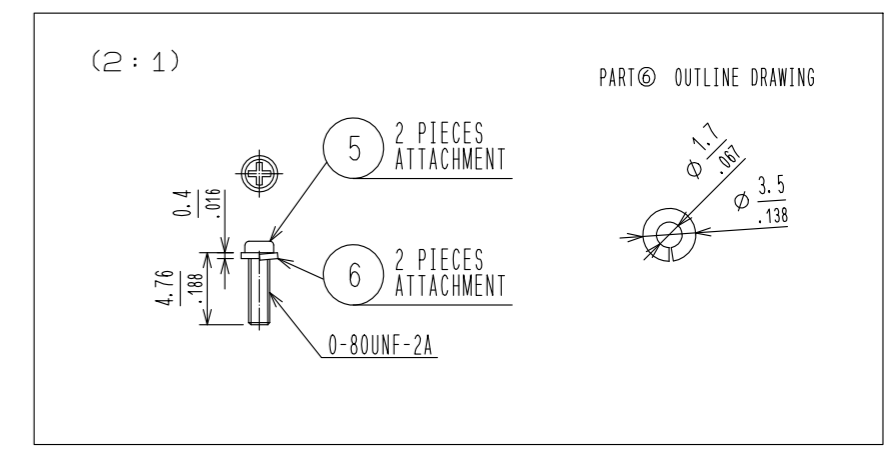
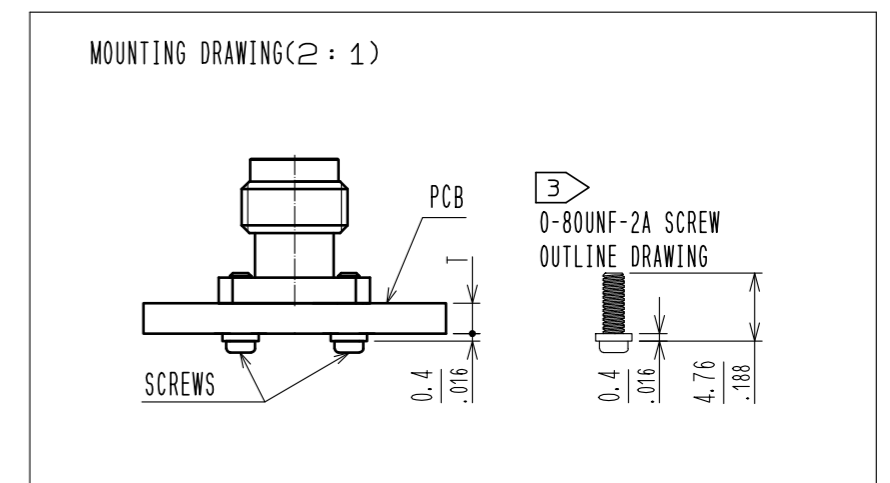
Sep.1.2021 Copyright 2021 HIROSE ELECTRIC CO., LTD. All Rights Reserved.
In case of consideration for using Automotive equipment / device which demand high reliability, kindly contact our sales window correspondents.



HRS DRAWING FOR REFERENCE



- 1 PLEASE HOLD THE FLANGE WITH A SPANNER WHEN MATING THE CONNECTOR TO AVOID ANY TORQUE ACTING ON THE PCB.
- 2 0-80UNF-2B SCREWS TIGHTENING TORQUE SHOULD BE 0.09N · m. PLEASE TIGHTEN THE SCREWS EVENLY WHEN MOUNTING THE CONNECTORS TO ENSURE STABLE ELECTRICAL CONTACT.
- 3 PLEASE USE ATTACHED SCREWS AND WASHERS FOR MOUNTING. ATTACHED SCREWS AND WASHERS ARE APPLICABLE ON PCB WITH THICKNESS T=1.0 TO 2.65mm.
- 4 THE SOLDER MASK PROHIBITED AREA IS INDICATED.
5. LAND PATTERN AND VIA LAYOUT DEPENDS ALSO ON ELECTRIC CONSTANT, THICKNESS AND LAYER CONSTRUCTION OF PCB. FOR BETTER RF PERFORMANCE, EM SIMULATION OF PCB WITH CONNECTOR IS RECOMMENDED.
6. THIS CONNECTOR SHOULD ONLY BE USED FOR TEST PORT.



| 3 | STAINLESS STEEL | GOLD PLATING | 6 | STAINLESS STEEL | SPRING WASHER |
|-------------------------|-----------------|------------------|----------|------------------------------|------------------|
| 2 | PTFE | | 5 | STEEL | 0-80UNF-A SCREW |
| 1 | STAINLESS STEEL | PASSIVATE | 4 | BERYLLIUM COPPER | GOLD PLATING |
| NO. | MATERIAL | FINISH . REMARKS | NO. | MATERIAL | FINISH . REMARKS |
| UNITS mm | | SCALE 5 : 1 | COUNT | DESCRIPTION OF REVISIONS | |
| DESIGNED | | CHECKED | | DATE | |
| APPROVED : TS. NOBE | | | 20190108 | DRAWING NO. EDC-380932-12-00 | |
| CHECKED : MH. OGUSU | | | 20190108 | PART NO. HV-R-SR2(12) | |
| DESIGNED : AH. MARUYAMA | | | 20190108 | CODE NO. CL338-0010-0-12 | |
| DRAWN : AH. MARUYAMA | | | 20190108 | 1/1 | |

X-ON Electronics

Largest Supplier of Electrical and Electronic Components

Click to view similar products for [RF Connectors / Coaxial Connectors](#) category:

Click to view products by [Hirose](#) manufacturer:

Other Similar products are found below :

[8915-1511-000](#) [89674-0827](#) [6001-7071-019](#) [6002-7051-003](#) [6002-7551-202](#) [6059674-1](#) [619550-1](#) [630059-000](#) [M39030/3-01N](#) [M3933/25-36N](#) [6500-7071-046](#) [6769](#) [CX050L2AQ](#) [7002-1542-011](#) [7004-1512-000](#) [7009-1511-004](#) [7010-1511-000](#) [7029-1511-060](#) [7101-1541-010](#) [7101-1571-002](#) [7105-1521-002](#) [7145-1521-002](#) [7203-1571-003](#) [7209-1511-011](#) [7210-1511-015](#) [7210-1511-019](#) [73137-5015](#) [73216-2241](#) [7325-1512-000](#) [73404-2300](#) [7405-1521-005](#) [7405-1521-802](#) [7406-1521-005](#) [8527](#) [8547](#) [FS11V](#) [8808-1511-001](#) [9049-9513-000](#) [9074-9513-000](#) [9101-9573-002](#) [910A205F](#) [9130-9573-002](#) [PL11SC-026](#) [PL375-33](#) [PL40-5](#) [PL71-9](#) [PL74C-221](#) [PL75MC-217](#) [PL803-7](#) [980-8666-005](#)