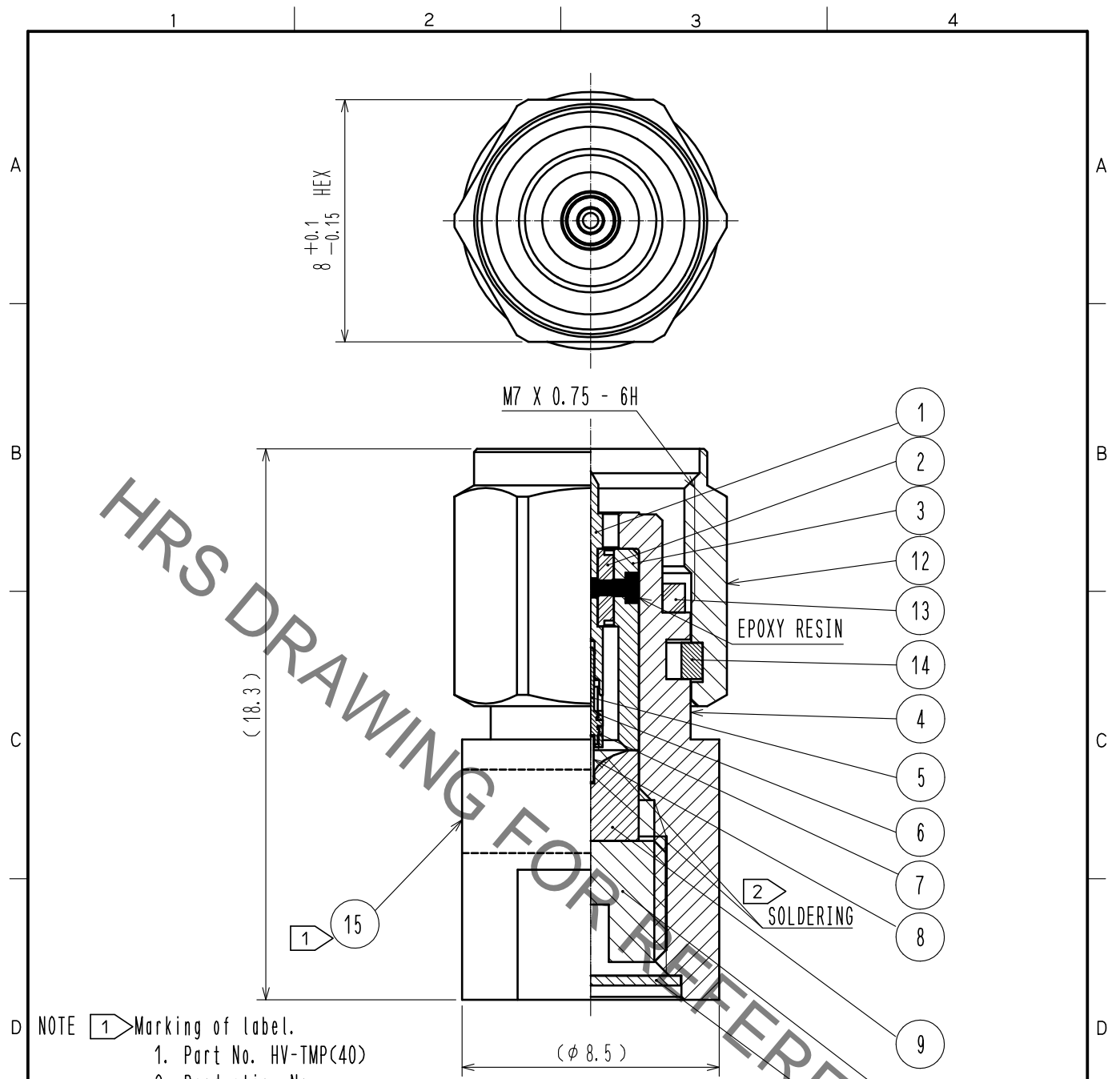


Sep. 1. 2021 Copyright 2021 HIROSE ELECTRIC CO., LTD. All Rights Reserved.
 In case of consideration for using Automotive equipment / device which demand high reliability, kindly contact our sales window correspondents.



NOTE 1 Marking of label.
 1. Part No. HV-TMP(40)
 2. Production No.
 3. Manufacture abbreviation.

2 Lead-free solder of Sn3Ag0.5Cu is used.

ROHS COMPLIANT

8	ALUMINA						
7	BERYLLIUM COPPER	GOLD PLATING	15		LABEL		
6	BRASS	GOLD PLATING	14	BERYLLIUM COPPER	NICKEL PLATING		
5	BERYLLIUM COPPER	GOLD PLATING	13	SILICONE RUBBER			
4	STAINLESS STEEL	PASSIVATE	12	STAINLESS STEEL	PASSIVATE		
3	STAINLESS STEEL	GOLD PLATING	11	BRASS	NICKEL PLATING		
2	PTFE		10	BRASS	GOLD PLATING		
1	BRASS	GOLD PLATING	9	BRASS	GOLD PLATING		
NO.	MATERIAL	FINISH	REMARKS	NO.	MATERIAL	FINISH	REMARKS

UNITS mm	SCALE 5 : 1	COUNT	DESCRIPTION OF REVISIONS	DESIGNED	CHECKED	DATE
HIROSE ELECTRIC CO., LTD.			APPROVED : KY. SHIMIZU 15. 10. 16 CHECKED : KY. SHIMIZU 15. 10. 16 DESIGNED : TO. KATAYAMA 15. 10. 16 DRAWN : MH. OGUSU 15. 10. 16	DRAWING NO. EDC-180341-40-40 PART NO. HV-TMP(40) CODE NO. CL353-0146-6-40		

X-ON Electronics

Largest Supplier of Electrical and Electronic Components

Click to view similar products for [RF Terminators](#) category:

Click to view products by [Hirose](#) manufacturer:

Other Similar products are found below :

[M390303-02N](#) [M39030/3-04S](#) [M39030/3-09S](#) [TNG1-9-78-D3](#) [TNA2-50](#) [TNG1-6-78](#) [TNH1-1-50](#) [R404280000](#) [TNGFL1-1-78](#) [R4042N5000](#)
[R404518000](#) [53S1RR-001N3](#) [142275](#) [56S1RR-001N4](#) [18S15R-0.5E3](#) [65_BNC-50-0-7/133_NE](#) [71S1RR-001N4](#) [02S17R-001D3](#)
[R404240120](#) [R404260000](#) [HT-10-2](#) [M39030/3-04N](#) [TNA1-6-50](#) [131-3801-811](#) [TNA1-1-50](#) [65_N-50-0-51/113_NE](#) [65_N-50-0-1/133_NE](#)
[65002_N-50-1/122_NE](#) [65_MMCX-50-0-31/111_OE](#) [18K15R-0.5E3](#) [2702702](#) [TRM-2161-M0-35M-02](#) [53S17R-001N3](#) [18S24H-40ML5](#)
[TRM-2053-M0-NNN-02](#) [R404759000](#) [M39030/6-02N](#) [TRM-2080-M0-NNN-07](#) [TRM-2053-MC-NNN-02](#) [M39030/3-03S](#) [SF8012-6009](#)
[6701.01.A](#) [65_716-50-0-2/003_-E](#) [65_SMB-50-0-1/111_NE](#) [M39030/3-12N](#) [M39030/5-06N](#) [82-5722-RFX](#) [8018-6174](#) [SF8018-6005](#) [000-46650-51RFX](#)