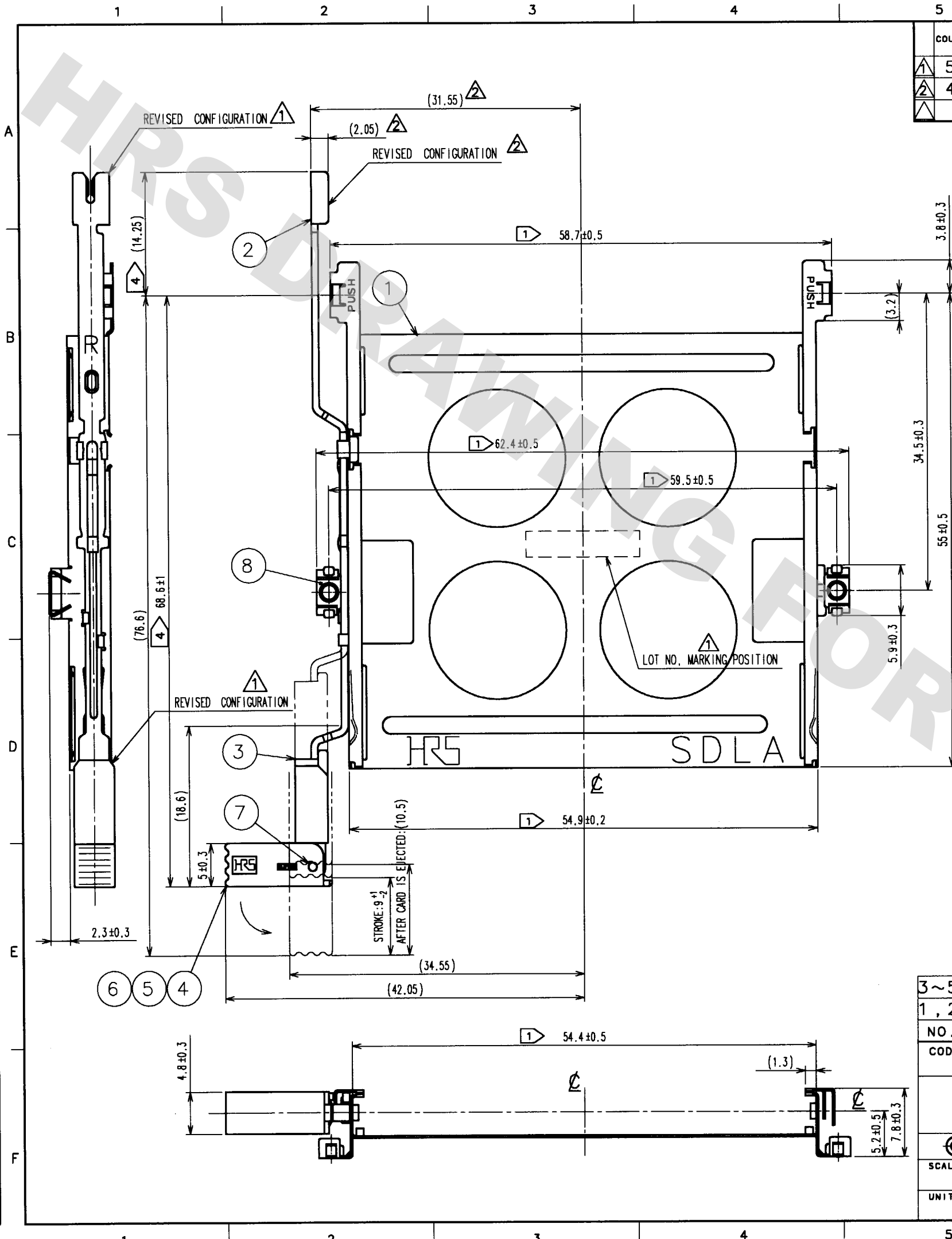
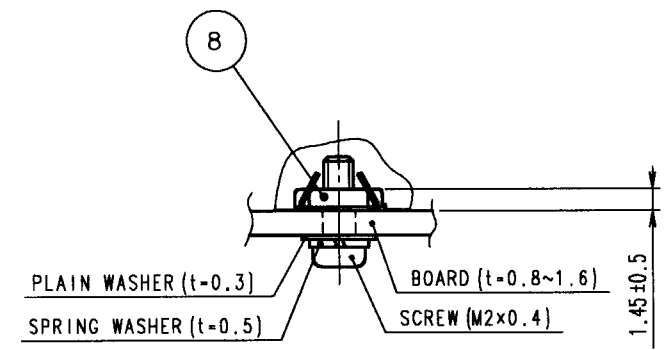


COUNT	DESCRIPTION OF REVISIONS	BY	CHKD	DATE	COUNT	DESCRIPTION OF REVISIONS	BY	CHKD	DATE
1	5	RE-F-06409	T.H.S.T	99.05.25					
2	4	RE-F-06820	M.E.	00.05.15					



5 FIG.1 THREAD TIGHTENING (RECOMMENDED)



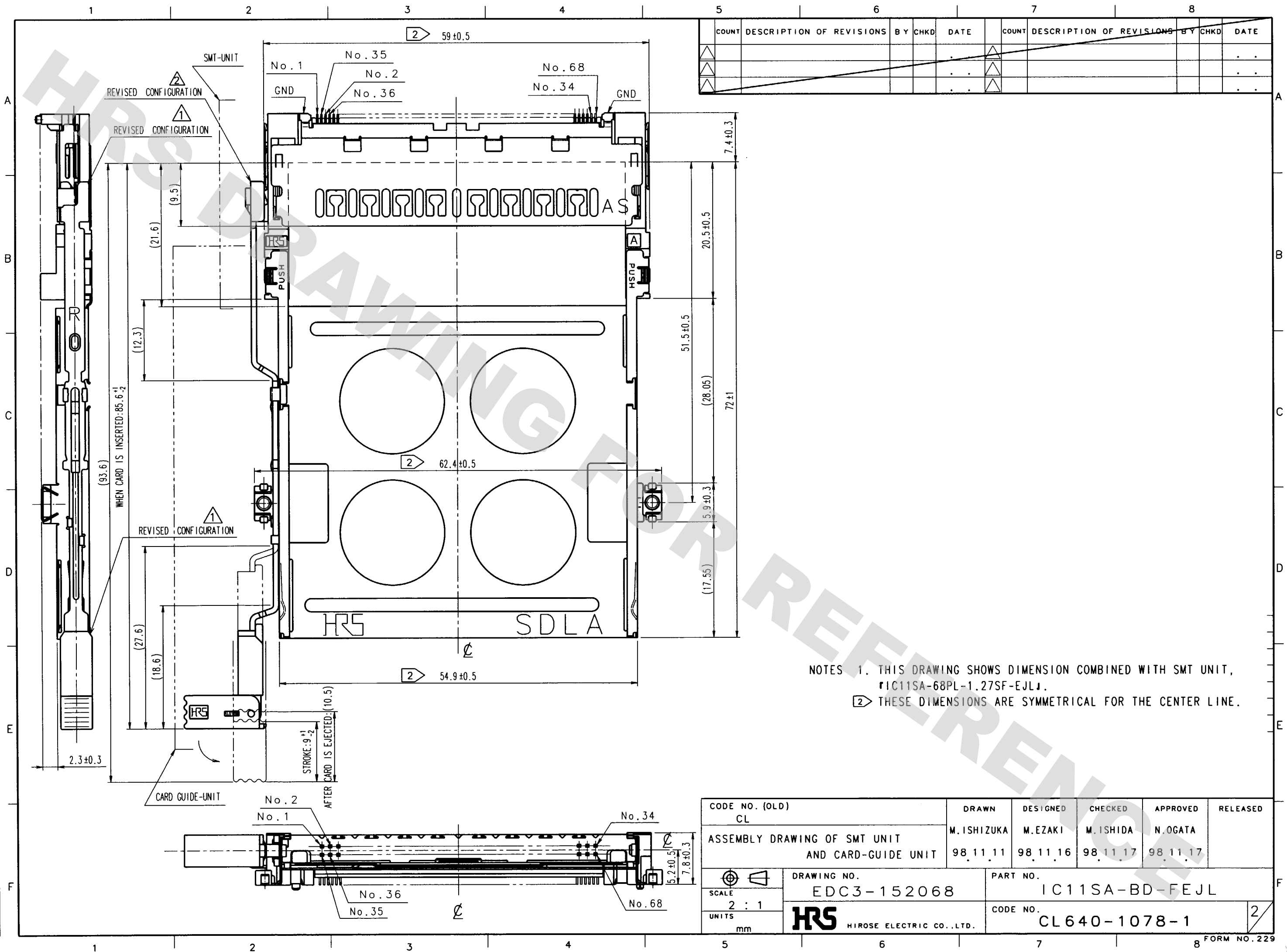
- NOTES
- 1 THESE DIMENSIONS ARE SYMMETRICAL FOR THE CENTER LINE.
 - 2 THIS PRODUCT IS AVAILABLE COMBINATION WITH SMT UNIT, RIC11SA-68PL-1.27SF-EJL.
 - 3 THIS PRODUCT TO BE ASSEMBLED AFTER MOUNTING SMT UNIT, RIC11SA-68PL-1.27SF-EJL.
 - 4 THESE (DIMENSIONS) ARE ON DELIVERY. BE SURE TO CHECK THAT THE FITTINGS ARE AT THE POSITION SHOWN ON ASSEMBLING.
 - 5 FASTEN THEN BY THE SCREW, PLAIN WASHER, SPRING WASHER FROM THE BELOW OF THE BOARD.

3~5	PBT	BLACK	UL94V-0	8	STEEL	M2x0.4		
1, 2	STAINLESS STEEL			6, 7	STAINLESS STEEL			
NO.	MATERIAL	FINISH, REMARKS		NO.	MATERIAL	FINISH, REMARKS		
CODE NO. (OLD) CL				DRAWN	DESIGNED	CHECKED	APPROVED	RELEASED
				M. ISHIZUKA	M. EZAKI	M. ISHIDA	N. OGATA	
				98.11.11	98.11.16	98.11.17	98.11.17	
DRAWING NO. EDC3-152068		PART NO. IC11SA-BD-FEJL		CODE NO. CL640-1078-1		1/2		
SCALE 2:1		HRS HIROSE ELECTRIC CO., LTD.						
UNITS mm								

DRAWING FOR REFERENCE: This is subject to change without notice
08/11/2012

TO

DRAWING FOR REFERENCE: This is subject to change without notice
08/11/2012



COUNT	DESCRIPTION OF REVISIONS	BY	CHKD	DATE	COUNT	DESCRIPTION OF REVISIONS	BY	CHKD	DATE

NOTES 1. THIS DRAWING SHOWS DIMENSION COMBINED WITH SMT UNIT, IC11SA-68PL-1.27SF-EJL.
② THESE DIMENSIONS ARE SYMMETRICAL FOR THE CENTER LINE.

TO

CODE NO. (OLD) CL	DRAWN M. ISHIZUKA	DESIGNED M. EZAKI	CHECKED M. ISHIDA	APPROVED N. OGATA	RELEASED
ASSEMBLY DRAWING OF SMT UNIT AND CARD-GUIDE UNIT	98.11.11	98.11.16	98.11.17	98.11.17	
SCALE 2 : 1	DRAWING NO. EDC3-152068		PART NO. IC11SA-BD-FEJL		
UNITS mm	HRS HIROSE ELECTRIC CO., LTD.		CODE NO. CL640-1078-1		2

X-ON Electronics

Largest Supplier of Electrical and Electronic Components

Click to view similar products for [Memory Card Connectors](#) category:

Click to view products by [Hirose](#) manufacturer:

Other Similar products are found below :

[M21-033321-005](#) [6407-249V-25273P](#) [6407-249V-25343P](#) [6426-201-21343](#) [69.920.0553.0](#) [FCN-568P068-G/07-4V](#) [809180410000000](#)
[N7E50-7516PG-20-WF](#) [21920-5](#) [2041353-2](#) [33CFAE-DN](#) [502431-1011](#) [EN2997S61212BN](#) [EN2997SE61212BN](#) [95622-003LF](#) [N7E50-](#)
[U516RB-50-SIN0005](#) [95079-00CALF](#) [84648-056HLF](#) [68-580163-21S](#) [33DVIR-29S12R](#) [125A-78C00](#) [MI20A-50PD-SF-EJL\(71\)](#) [KP10S-SF-](#)
[PEJ\(812\)](#) [504536-0691](#) [504580-0691](#) [CCM03-3109 B LFT](#) [2309923-1](#) [61126-050CAHLF](#) [IC1GA-68PD-1.27DS-EJ\(72\)](#) [GTFP08432B1HR](#)
[G85DT17001P1EU](#) [G85B21611142HHR](#) [GSD090144HR](#) [G85D1140022P1HR](#) [GMCB05801124EU](#) [112K-TAA0-RA1](#) [115S-ACA2](#) [115S-](#)
[ACA3](#) [115S-BS00](#) [115S-BT00](#) [115V-AD00](#) [MCSP-Q1-08-A-SG-T/R](#) [503960-0695](#) [101B-TAA0-R](#) [101D-TAAA-R01](#) [101D-TAAB-R01](#)
[104D-TCA0-R06](#) [104B-TAA0-R](#) [112C-TBAR-R02](#) [114B-40B00-R02](#)