

DRAWING FOR REFERENCE: This is subject to change without notice
08/11/2012

TO

COUNT	DESCRIPTION OF REVISIONS	BY	CHKD	DATE	COUNT	DESCRIPTION OF REVISIONS	BY	CHKD	DATE

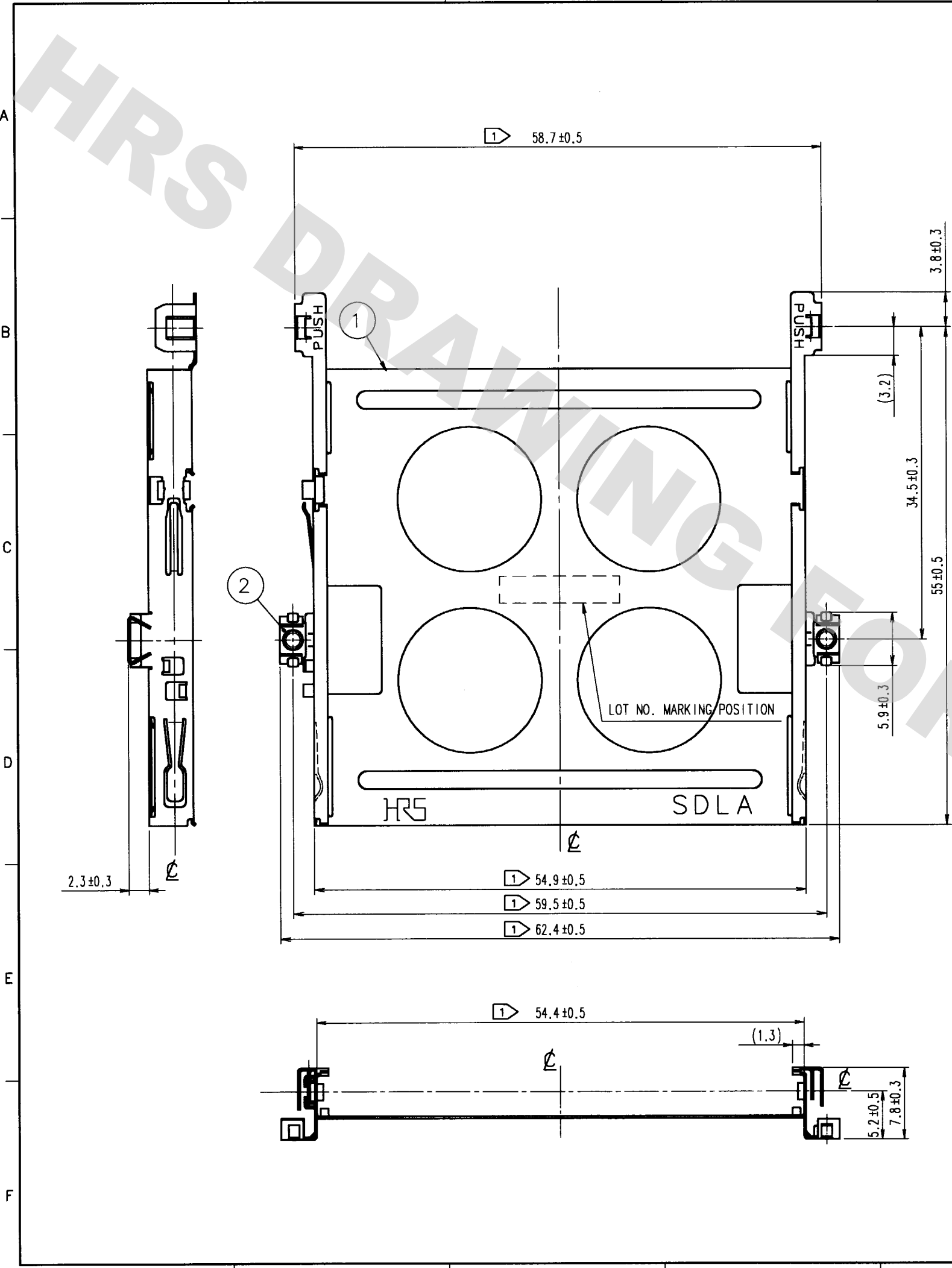
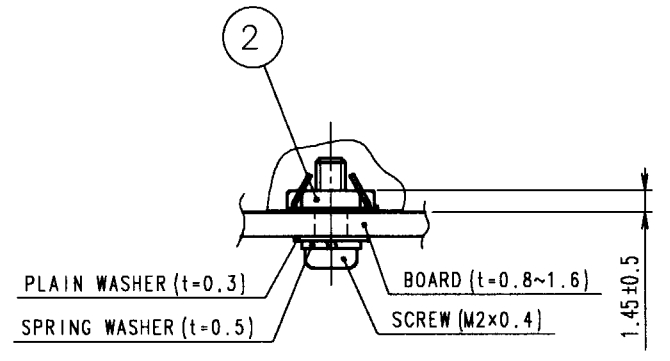


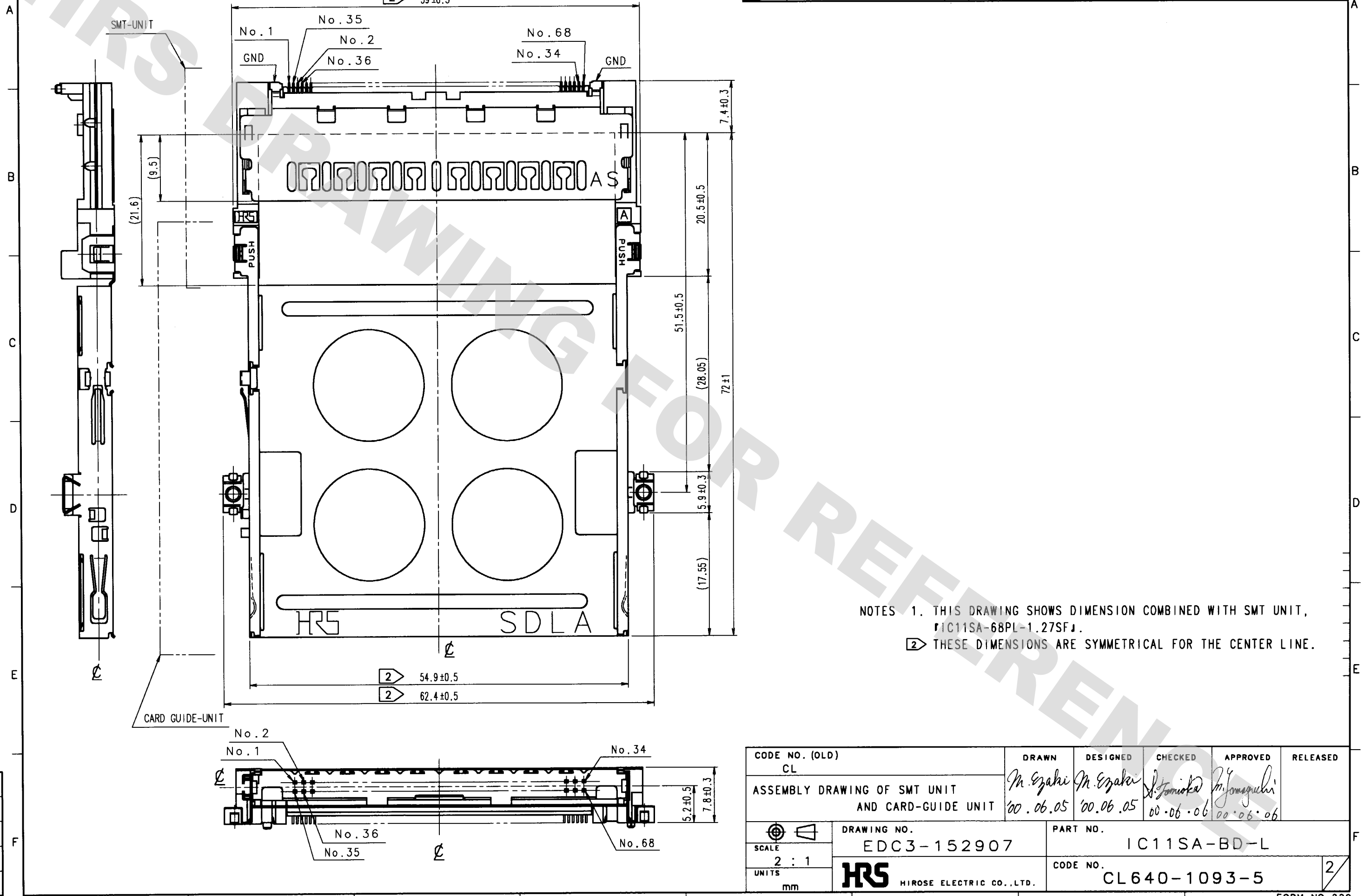
FIG.1 THREAD TIGHTENING (RECOMMENDED)



- NOTES
- 1 THESE DIMENSIONS ARE SYMMETRICAL FOR THE CENTER LINE.
 - 2 THIS PRODUCT IS AVAILABLE COMBINATION WITH SMT UNIT, 「IC11SA-68PL-1.27SF (-EJ*)」.
 - 3 THIS PRODUCT TO BE ASSEMBLED AFTERMOUNTING SMT UNIT, 「IC11SA-68PL-1.27SF (-EJ*)」.
 - 4 FASTEN THEN BY THE SCREW, PLAIN WASHER, SPRING WASHER FROM THE BELOW OF THE BOARD.

1	STAINLESS STEEL	2	STEEL	M2x0.4		
NO.	MATERIAL	FINISH, REMARKS	NO.	MATERIAL	FINISH, REMARKS	
CODE NO. (OLD)	CL	DRAWN	DESIGNED	CHECKED	APPROVED	RELEASED
		<i>M. Ezaki</i>	<i>M. Ezaki</i>	<i>J. Tomooka</i>	<i>M. Tomaguchi</i>	
		'00.06.05	'00.06.05	00.06.06	00.06.06	
DRAWING NO. EDC3-152097			PART NO. IC11SA-BD-L			
SCALE 2 : 1			CODE NO. CL640-1093-5			
UNITS mm			HRS HIROSE ELECTRIC CO.,LTD.			
					1/2	

5				6				7				8			
COUNT	DESCRIPTION OF REVISIONS	BY	CHKD	DATE	COUNT	DESCRIPTION OF REVISIONS	BY	CHKD	DATE	COUNT	DESCRIPTION OF REVISIONS	BY	CHKD	DATE	
△					△					△					
△					△					△					
△					△					△					



NOTES 1. THIS DRAWING SHOWS DIMENSION COMBINED WITH SMT UNIT, 「IC11SA-68PL-1.27SF」.
 2. THESE DIMENSIONS ARE SYMMETRICAL FOR THE CENTER LINE.

CODE NO. (OLD) CL	DRAWN <i>M. Ezaki</i> '00.06.05	DESIGNED <i>M. Ezaki</i> '00.06.05	CHECKED <i>S. Tomioka</i> '00.06.06	APPROVED <i>M. Tomiyama</i> '00.06.06	RELEASED
ASSEMBLY DRAWING OF SMT UNIT AND CARD-GUIDE UNIT		DRAWING NO. EDC3-152907			PART NO. IC11SA-BD-L
SCALE 2 : 1		UNITS mm			CODE NO. CL640-1093-5
HRS HIROSE ELECTRIC CO., LTD.					2

DRAWING FOR REFERENCE: This is subject to change without notice
08/11/2012

TO

X-ON Electronics

Largest Supplier of Electrical and Electronic Components

Click to view similar products for [Memory Card Connectors](#) category:

Click to view products by [Hirose](#) manufacturer:

Other Similar products are found below :

[M21-033321-005](#) [6407-249V-25273P](#) [6407-249V-25343P](#) [6426-201-21343](#) [69.920.0553.0](#) [FCN-568P068-G/07-4V](#) [809180410000000](#)
[N7E50-7516PG-20-WF](#) [21920-5](#) [2041353-2](#) [33CFAE-DN](#) [502431-1011](#) [EN2997S61212BN](#) [EN2997SE61212BN](#) [95622-003LF](#) [N7E50-](#)
[U516RB-50-SIN0005](#) [95079-00CALF](#) [84648-056HLF](#) [68-580163-21S](#) [33DVIR-29S12R](#) [125A-78C00](#) [MI20A-50PD-SF-EJL\(71\)](#) [KP10S-SF-](#)
[PEJ\(812\)](#) [504536-0691](#) [504580-0691](#) [CCM03-3109 B LFT](#) [2309923-1](#) [61126-050CAHLF](#) [IC1GA-68PD-1.27DS-EJ\(72\)](#) [GTFP08432B1HR](#)
[G85DT17001P1EU](#) [G85B21611142HHR](#) [GSD090144HR](#) [G85D1140022P1HR](#) [GMCB05801124EU](#) [112K-TAA0-RA1](#) [115S-ACA2](#) [115S-](#)
[ACA3](#) [115S-BS00](#) [115S-BT00](#) [115V-AD00](#) [MCSP-Q1-08-A-SG-T/R](#) [503960-0695](#) [101B-TAA0-R](#) [101D-TAAA-R01](#) [101D-TAAB-R01](#)
[104D-TCA0-R06](#) [104B-TAA0-R](#) [112C-TBAR-R02](#) [114B-40B00-R02](#)