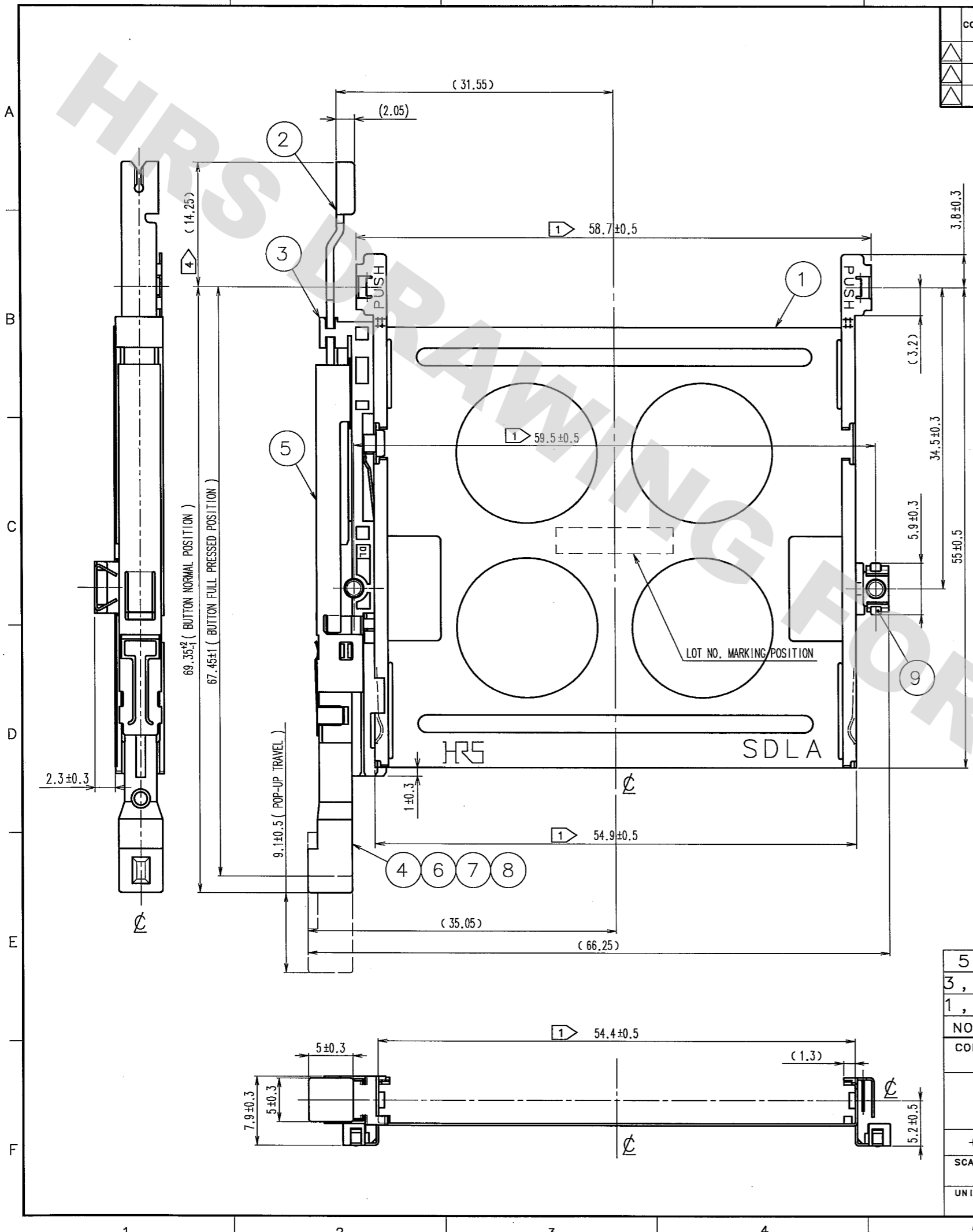
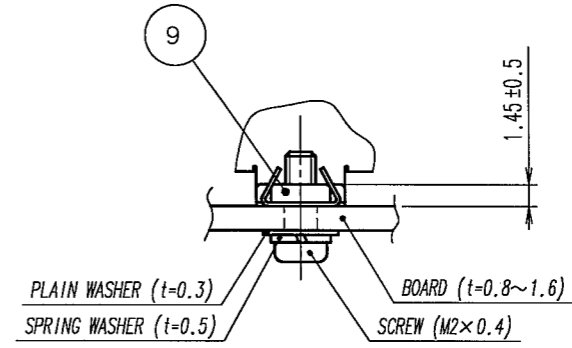


DRAWING FOR REFERENCE: This is subject to change without notice
08/11/2012

COUNT	DESCRIPTION OF REVISIONS	BY	CHKD	DATE	COUNT	DESCRIPTION OF REVISIONS	BY	CHKD	DATE
△				..	△				..
△				..	△				..
△				..	△				..



⑤ FIG.1 THREAD TIGHTENING(RECOMMENDED)



- NOTES
- ① THESE DIMENSIONS ARE SYMMETRICAL FOR THE CENTER LINE.
 - ② THIS PRODUCT IS AVAILABLE COMBINATION WITH SMT UNIT, "IC11SA-68PL-1.27SF-EJL".
 - ③ THIS PRODUCT TO BE ASSEMBLED AFTER MOUNTING SMT UNIT, "IC11SA-68PL-1.27SF-EJL".
 - ④ THESE () DIMENSIONS ARE ON DELIVERY. BE SURE TO CHECK THAT THE FITTINGS ARE AT THE POSITION SHOWN ON ASSEMBLING.
 - ⑤ FASTEN THEN BY SCREW, PLAIN WASHER, SPRING WASHER FROM THE BELOW OF THE BOARD.

NO.	MATERIAL	FINISH, REMARKS	NO.	MATERIAL	FINISH, REMARKS
5	STAINLESS STEEL		9	STEEL	M2×0.4
3, 4	PBT	BLACK UL94V-0	8	PBT	BLACK UL94V-0
1, 2	STAINLESS STEEL		7	STEEL	NICKEL
			6	STEEL	NICKEL

CODE NO. (OLD)	DRAWN	DESIGNED	CHECKED	APPROVED	RELEASED
CL	H. SAITOU	H. SAITOU	<i>J. Tomita</i>	<i>K. Fujisawa</i>	
	05.06.14	05.06.14	05.06.15	05.06.15	

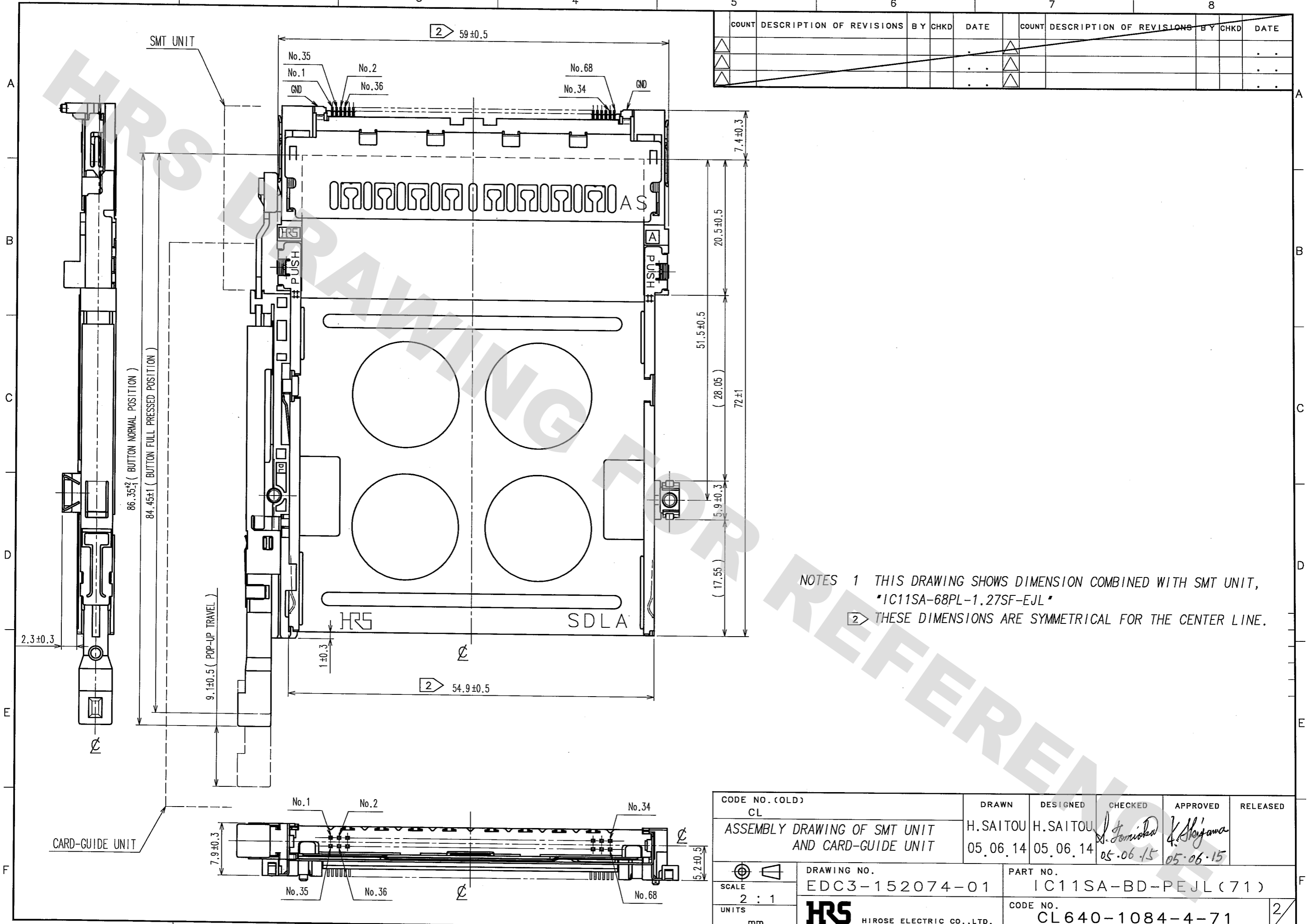
SCALE	DRAWING NO.	PART NO.
2 : 1	EDC3-152074-01	IC11SA-BD-PEJL(71)
UNITS	HRS HIROSE ELECTRIC CO., LTD.	CODE NO.
mm		CL640-1084-4-71

TO
PCK

DRAWING FOR REFERENCE: This is subject to change without notice
08/11/2012

TO
PCK

COUNT	DESCRIPTION OF REVISIONS	BY	CHKD	DATE	COUNT	DESCRIPTION OF REVISIONS	BY	CHKD	DATE



NOTES 1 THIS DRAWING SHOWS DIMENSION COMBINED WITH SMT UNIT, "IC11SA-68PL-1.27SF-EJL"
2 THESE DIMENSIONS ARE SYMMETRICAL FOR THE CENTER LINE.

CODE NO. (OLD) CL	DRAWN H. SAITOU 05.06.14	DESIGNED H. SAITOU 05.06.14	CHECKED <i>J. Tomioka</i> 05.06.15	APPROVED <i>K. Shijama</i> 05.06.15	RELEASED
ASSEMBLY DRAWING OF SMT UNIT AND CARD-GUIDE UNIT		DRAWING NO. EDC3-152074-01		PART NO. IC11SA-BD-PEJL (71)	
SCALE 2 : 1		UNITS mm		CODE NO. CL640-1084-4-71	
HRS HIROSE ELECTRIC CO., LTD.				2	

X-ON Electronics

Largest Supplier of Electrical and Electronic Components

Click to view similar products for [Memory Card Connectors](#) category:

Click to view products by [Hirose](#) manufacturer:

Other Similar products are found below :

[M21-033321-005](#) [6407-249V-25273P](#) [6407-249V-25343P](#) [6426-201-21343](#) [69.920.0553.0](#) [FCN-568P068-G/07-4V](#) [809180410000000](#)
[N7E50-7516PG-20-WF](#) [21920-5](#) [2041353-2](#) [33CFAE-DN](#) [502431-1011](#) [EN2997S61212BN](#) [EN2997SE61212BN](#) [95622-003LF](#) [N7E50-](#)
[U516RB-50-SIN0005](#) [95079-00CALF](#) [84648-056HLF](#) [68-580163-21S](#) [33DVIR-29S12R](#) [125A-78C00](#) [MI20A-50PD-SF-EJL\(71\)](#) [KP10S-SF-](#)
[PEJ\(812\)](#) [504536-0691](#) [504580-0691](#) [CCM03-3109 B LFT](#) [2309923-1](#) [61126-050CAHLF](#) [IC1GA-68PD-1.27DS-EJ\(72\)](#) [GTFP08432B1HR](#)
[G85DT17001P1EU](#) [G85B21611142HHR](#) [GSD090144HR](#) [G85D1140022P1HR](#) [GMCB05801124EU](#) [112K-TAA0-RA1](#) [115S-ACA2](#) [115S-](#)
[ACA3](#) [115S-BS00](#) [115S-BT00](#) [115V-AD00](#) [MCSP-Q1-08-A-SG-T/R](#) [503960-0695](#) [101B-TAA0-R](#) [101D-TAAA-R01](#) [101D-TAAB-R01](#)
[104D-TCA0-R06](#) [104B-TAA0-R](#) [112C-TBAR-R02](#) [114B-40B00-R02](#)