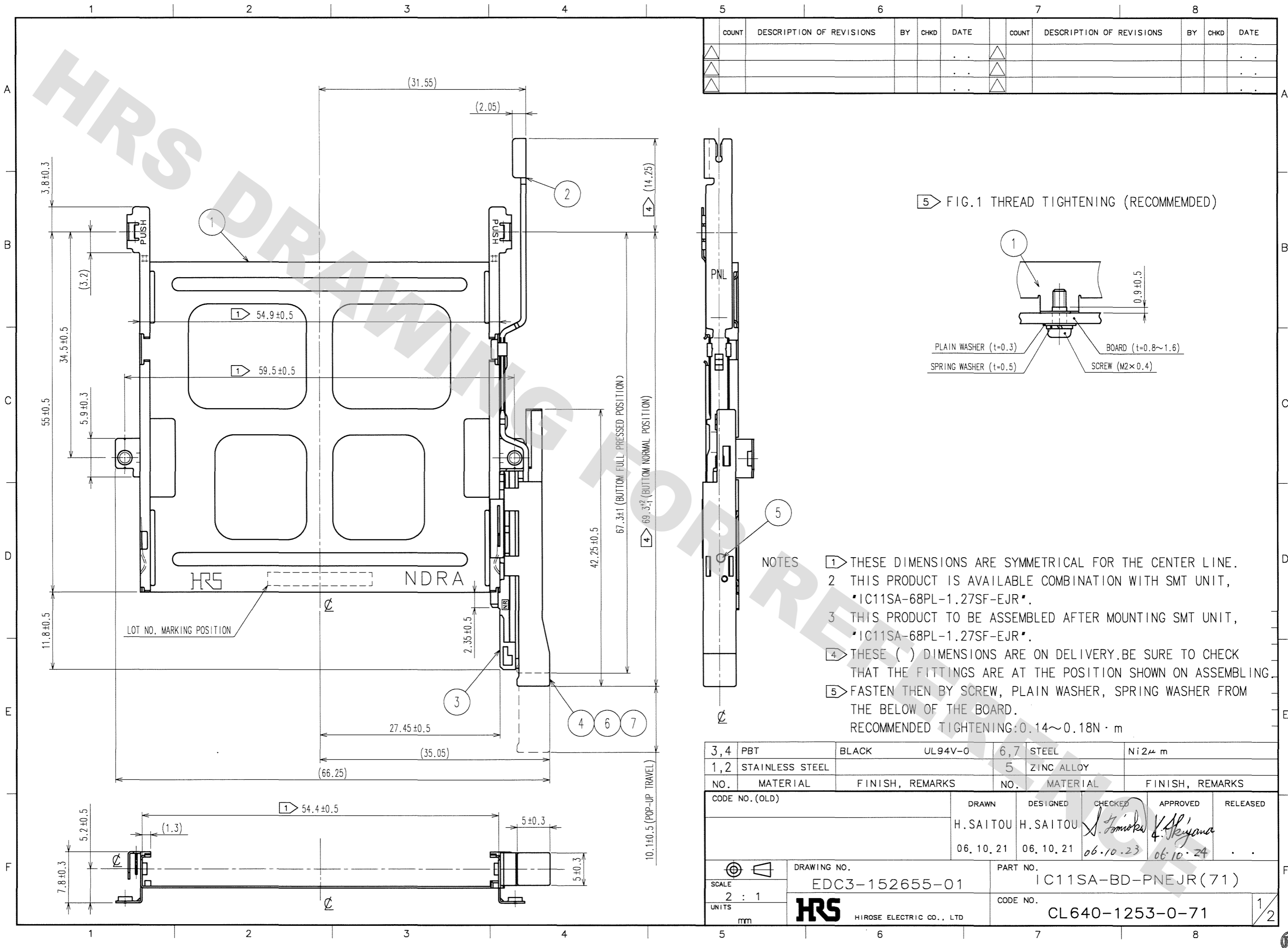


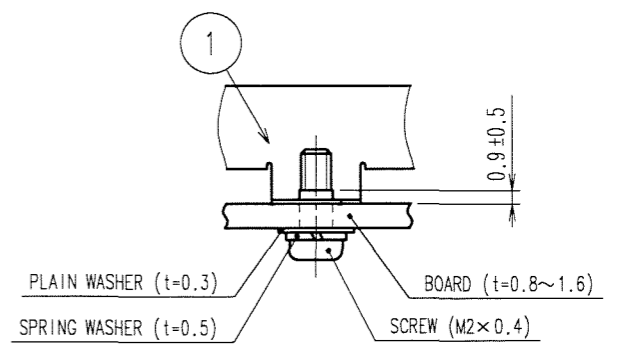
DRAWING FOR REFERENCE: This is subject to change without notice
08/11/2012

TO
PCK



COUNT	DESCRIPTION OF REVISIONS	BY	CHKD	DATE	COUNT	DESCRIPTION OF REVISIONS	BY	CHKD	DATE

5 FIG.1 THREAD TIGHTENING (RECOMMENDED)



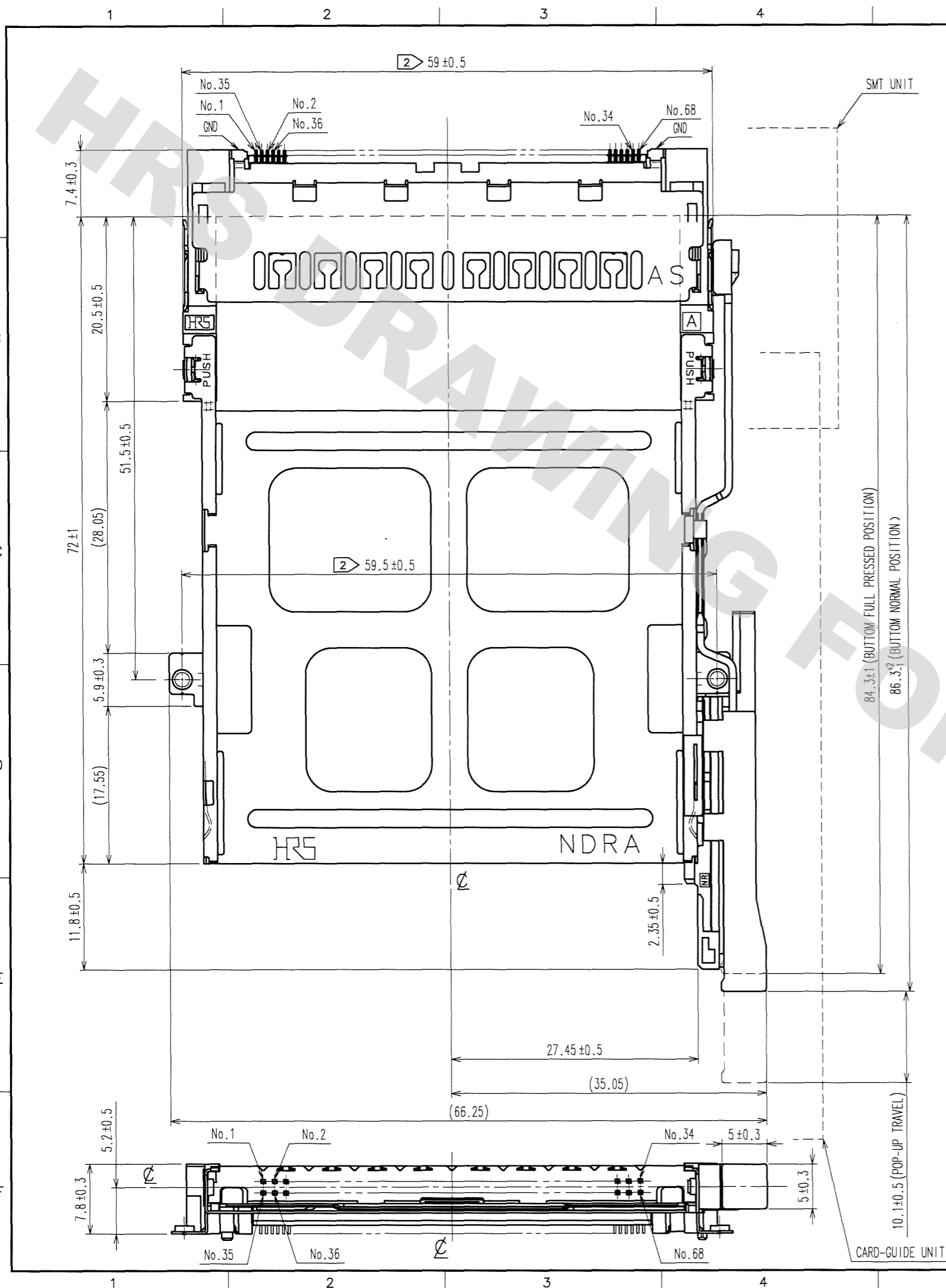
NOTES

- 1 THESE DIMENSIONS ARE SYMMETRICAL FOR THE CENTER LINE.
- 2 THIS PRODUCT IS AVAILABLE COMBINATION WITH SMT UNIT, "IC11SA-68PL-1.27SF-EJR".
- 3 THIS PRODUCT TO BE ASSEMBLED AFTER MOUNTING SMT UNIT, "IC11SA-68PL-1.27SF-EJR".
- 4 THESE () DIMENSIONS ARE ON DELIVERY. BE SURE TO CHECK THAT THE FITTINGS ARE AT THE POSITION SHOWN ON ASSEMBLING.
- 5 FASTEN THEN BY SCREW, PLAIN WASHER, SPRING WASHER FROM THE BELOW OF THE BOARD.
RECOMMENDED TIGHTENING: 0.14~0.18N·m

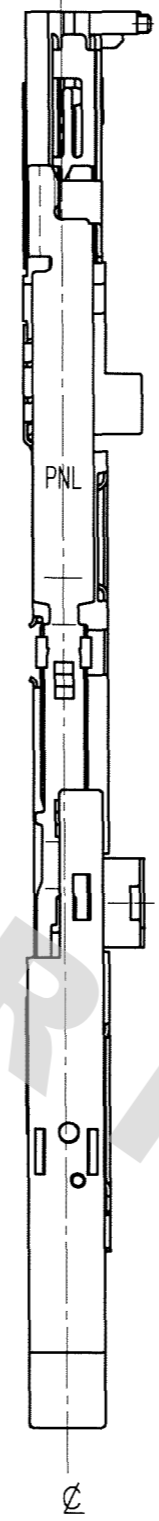
3,4	PBT	BLACK	UL94V-0	6,7	STEEL	Ni2μm
1,2	STAINLESS STEEL			5	ZINC ALLOY	
NO.	MATERIAL	FINISH, REMARKS		NO.	MATERIAL	FINISH, REMARKS
CODE NO. (OLD)				DRAWN	DESIGNED	CHECKED
				H. SAITOU	H. SAITOU	<i>J. Tomokawa</i>
				06.10.21	06.10.21	06.10.23
				APPROVED		RELEASED
				<i>K. Akiyama</i>		
				06.10.24		
DRAWING NO.		PART NO.				
EDC3-152655-01		IC11SA-BD-PNEJR(71)				
SCALE		CODE NO.				
2 : 1		CL640-1253-0-71				
UNITS						
mm						

DRAWING FOR REFERENCE: This is subject to change without notice
08/11/2012

TO
PCK



COUNT	DESCRIPTION OF REVISIONS	BY	CHKD	DATE	COUNT	DESCRIPTION OF REVISIONS	BY	CHKD	DATE



NOTES 1 THIS DRAWING SHOWS DIMENSION COMBINED WITH SMT UNIT, "IC11SA-68PL-1.27SF-EJR".
2 THESE DIMENSIONS ARE SYMMETRICAL FOR THE CENTER LINE.

NO.	MATERIAL	FINISH, REMARKS	NO.	MATERIAL	FINISH, REMARKS
CODE NO. (OLD)			DRAWN	DESIGNED	CHECKED
			H. SAITOU	H. SAITOU	<i>S. Tomioka</i>
			06.10.21	06.10.21	06.10.23
					APPROVED
					<i>K. Hayano</i>
					06.10.24
					RELEASED
DRAWING NO.		PART NO.		CODE NO.	
EDC3-152655-01		IC11SA-BD-PNEJR(71)		CL640-1253-0-71	
SCALE		UNITS		2	
2 : 1		mm			
HRS		HIROSE ELECTRIC CO., LTD			

X-ON Electronics

Largest Supplier of Electrical and Electronic Components

Click to view similar products for [Memory Card Connectors](#) category:

Click to view products by [Hirose](#) manufacturer:

Other Similar products are found below :

[M21-033321-005](#) [6407-249V-25273P](#) [6407-249V-25343P](#) [6426-201-21343](#) [69.920.0553.0](#) [FCN-568P068-G/07-4V](#) [809180410000000](#)
[N7E50-7516PG-20-WF](#) [21920-5](#) [2041353-2](#) [33CFAE-DN](#) [502431-1011](#) [EN2997S61212BN](#) [EN2997SE61212BN](#) [95622-003LF](#) [N7E50-](#)
[U516RB-50-SIN0005](#) [95079-00CALF](#) [84648-056HLF](#) [68-580163-21S](#) [33DVIR-29S12R](#) [125A-78C00](#) [MI20A-50PD-SF-EJL\(71\)](#) [KP10S-SF-](#)
[PEJ\(812\)](#) [504536-0691](#) [504580-0691](#) [CCM03-3109 B LFT](#) [2309923-1](#) [61126-050CAHLF](#) [IC1GA-68PD-1.27DS-EJ\(72\)](#) [GTFP08432B1HR](#)
[G85DT17001P1EU](#) [G85B21611142HHR](#) [GSD090144HR](#) [G85D1140022P1HR](#) [GMCB05801124EU](#) [112K-TAA0-RA1](#) [115S-ACA2](#) [115S-](#)
[ACA3](#) [115S-BS00](#) [115S-BT00](#) [115V-AD00](#) [MCSP-Q1-08-A-SG-T/R](#) [503960-0695](#) [101B-TAA0-R](#) [101D-TAAA-R01](#) [101D-TAAB-R01](#)
[104D-TCA0-R06](#) [104B-TAA0-R](#) [112C-TBAR-R02](#) [114B-40B00-R02](#)