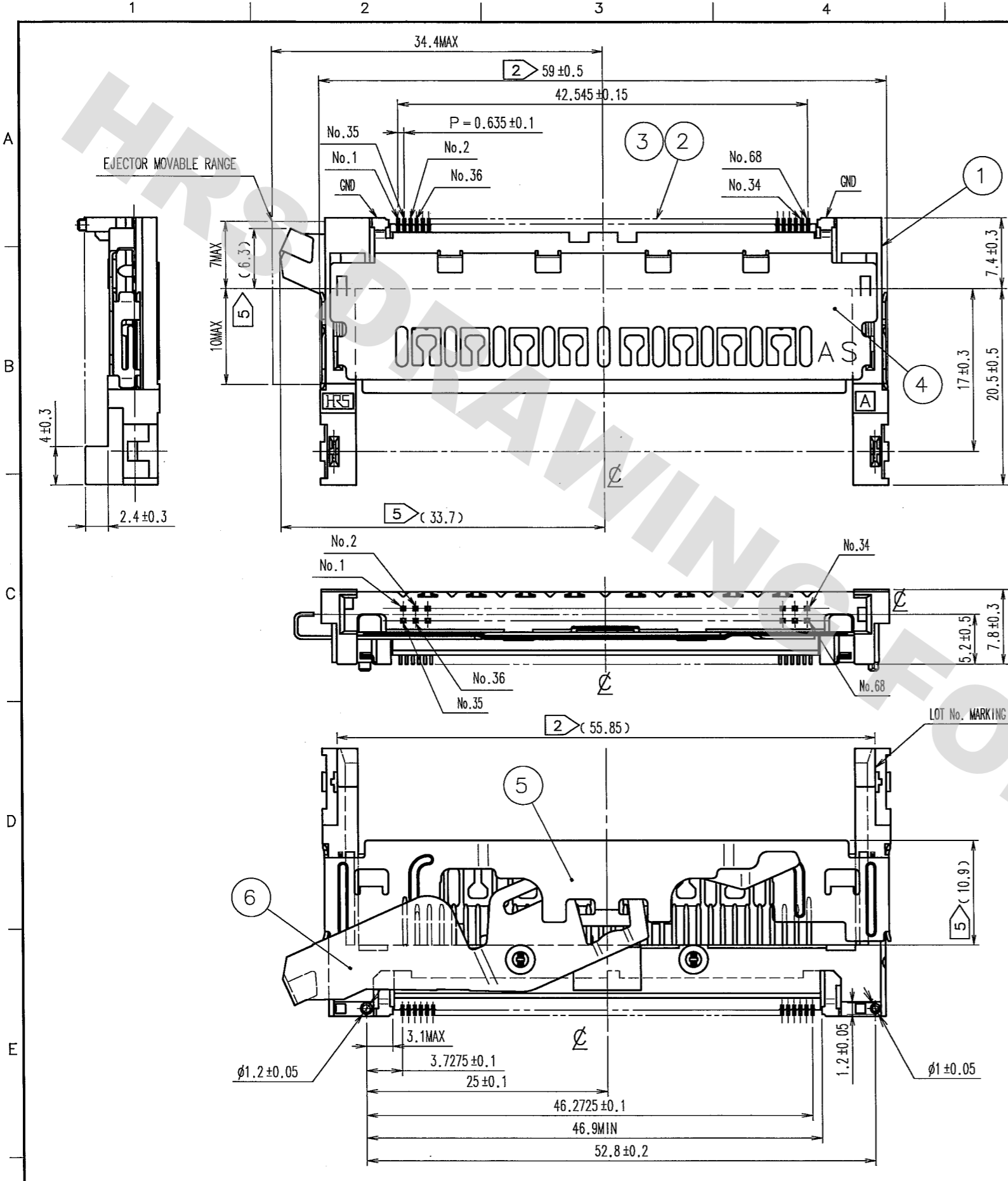
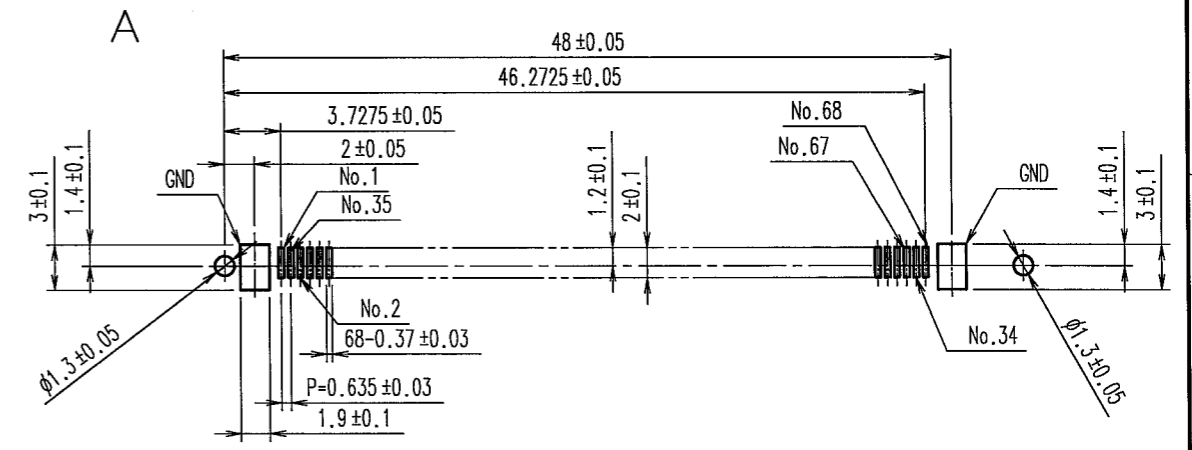


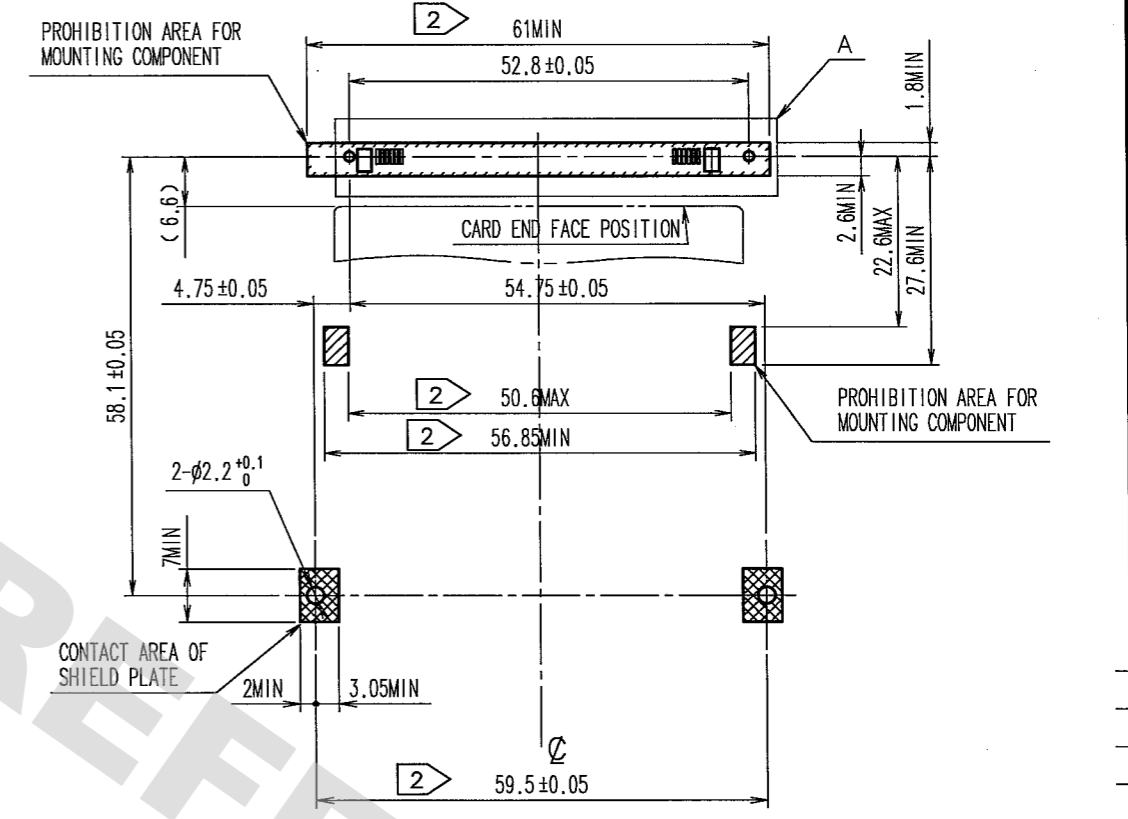
DRAWING FOR REFERENCE: This is subject to change without notice  
08/11/2012



COUNT	DESCRIPTION OF REVISIONS	BY	CHKD	DATE	COUNT	DESCRIPTION OF REVISIONS	BY	CHKD	DATE



LAND PATTERN DIMENSION OF PWB (ON MOUNTED SIDE) (1:1)



2,3	BRASS	CONTACT AREA: Ni1.5μm+Au0.1μm DIP AREA: Ni1.5μm+Sn1μm	5,6	STAINLESS STEEL			
1	PPS	BLACK UL94V-0	4	COPPER ALLOY			
NO.	MATERIAL	FINISH, REMARKS	NO.	MATERIAL	FINISH, REMARKS		
CODE NO. (OLD)	CL		DRAWN	DESIGNED	CHECKED	APPROVED	RELEASED
			H. SAITOU	H. SAITOU	<i>S. Tomieka</i>	<i>K. Akujama</i>	
			05.06.14	05.06.14	05.06.15	05.06.15	
DRAWING NO.		PART NO.					
EDC3-152060-03		IC11SA-PL-SF-EJL(71)					
SCALE		CODE NO.					
2:1		CL640-1010-8-71					
UNITS		HRS					
mm		HIROSE ELECTRIC CO., LTD.					

- NOTES
- PC CARD INTERFACE DIMENSION CORRESPONDS TO PC Card Standard.
  - THESE DIMENSIONS ARE SYMMETRICAL FOR THE CENTER LINE.
  - THIS PRODUCT IS AVAILABLE IN COMBINATION WITH CARD-GUIDE UNIT, 「IC11SA-BD-\*EJL\*」.
  - CARD-GUIDE UNIT, 「IC11SA-BD-\*EJL\*」 TO BE ASSEMBLED AFTER MOUNTING THIS PRODUCT.
  - THESE (DIMENSIONS) ARE ON DELIVERY.  
BE SURE TO CHECK THAT THE FITTINGS ARE AT THE POSITION SHOWN ON ASSEMBLING.

TO

## X-ON Electronics

Largest Supplier of Electrical and Electronic Components

*Click to view similar products for [Memory Card Connectors](#) category:*

*Click to view products by [Hirose](#) manufacturer:*

Other Similar products are found below :

[M21-033321-005](#) [6407-249V-25273P](#) [6407-249V-25343P](#) [6426-201-21343](#) [69.920.0553.0](#) [FCN-568P068-G/07-4V](#) [809180410000000](#)  
[N7E50-7516PG-20-WF](#) [21920-5](#) [2041353-2](#) [33CFAE-DN](#) [502431-1011](#) [EN2997S61212BN](#) [EN2997SE61212BN](#) [95622-003LF](#) [N7E50-](#)  
[U516RB-50-SIN0005](#) [95079-00CALF](#) [84648-056HLF](#) [68-580163-21S](#) [33DVIR-29S12R](#) [125A-78C00](#) [MI20A-50PD-SF-EJL\(71\)](#) [KP10S-SF-](#)  
[PEJ\(812\)](#) [504536-0691](#) [504580-0691](#) [CCM03-3109 B LFT](#) [2309923-1](#) [61126-050CAHLF](#) [IC1GA-68PD-1.27DS-EJ\(72\)](#) [GTFP08432B1HR](#)  
[G85DT17001P1EU](#) [G85B21611142HHR](#) [GSD090144HR](#) [G85D1140022P1HR](#) [GMCB05801124EU](#) [112K-TAA0-RA1](#) [115S-ACA2](#) [115S-](#)  
[ACA3](#) [115S-BS00](#) [115S-BT00](#) [115V-AD00](#) [MCSP-Q1-08-A-SG-T/R](#) [503960-0695](#) [101B-TAA0-R](#) [101D-TAAA-R01](#) [101D-TAAB-R01](#)  
[104D-TCA0-R06](#) [104B-TAA0-R](#) [112C-TBAR-R02](#) [114B-40B00-R02](#)