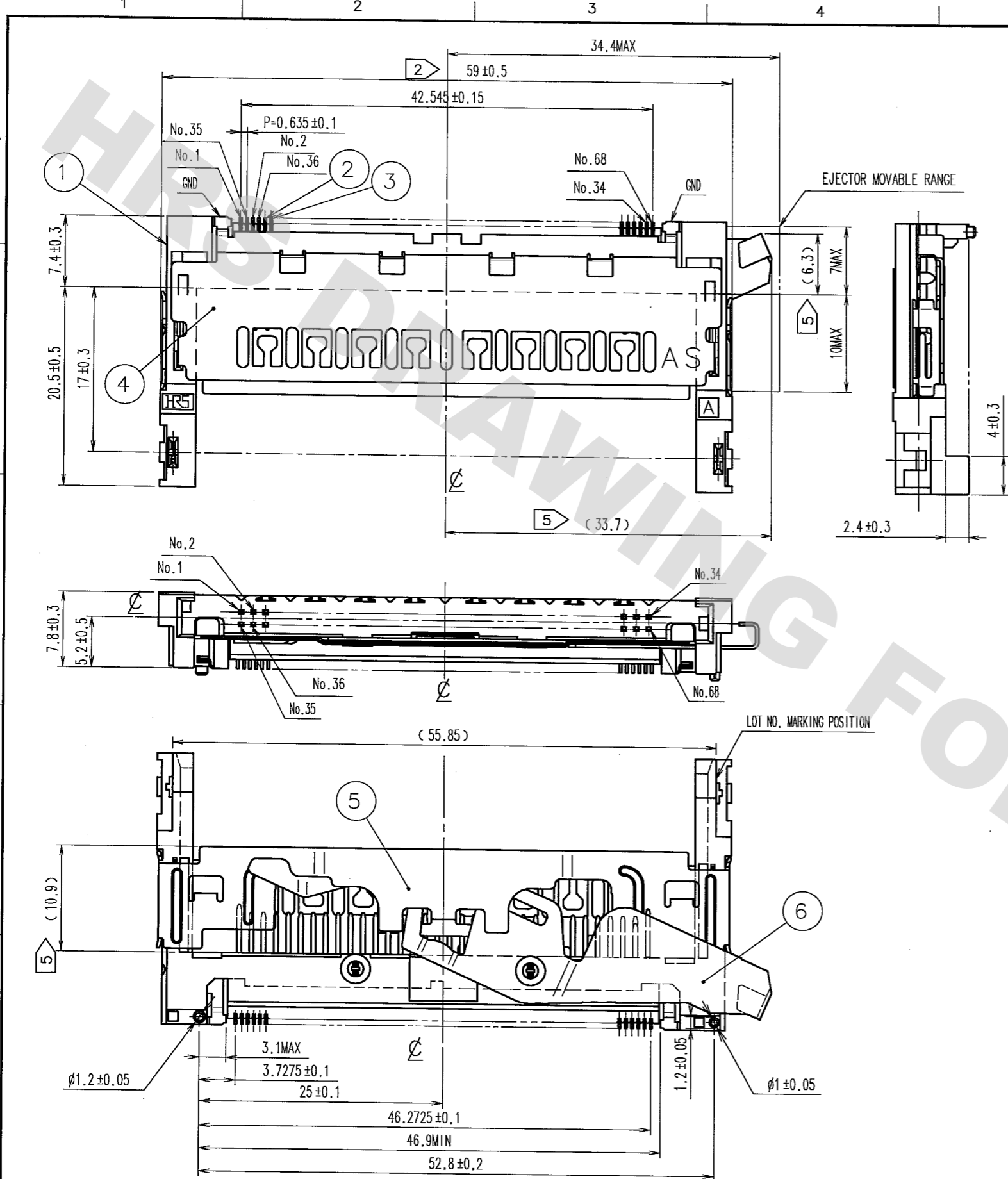
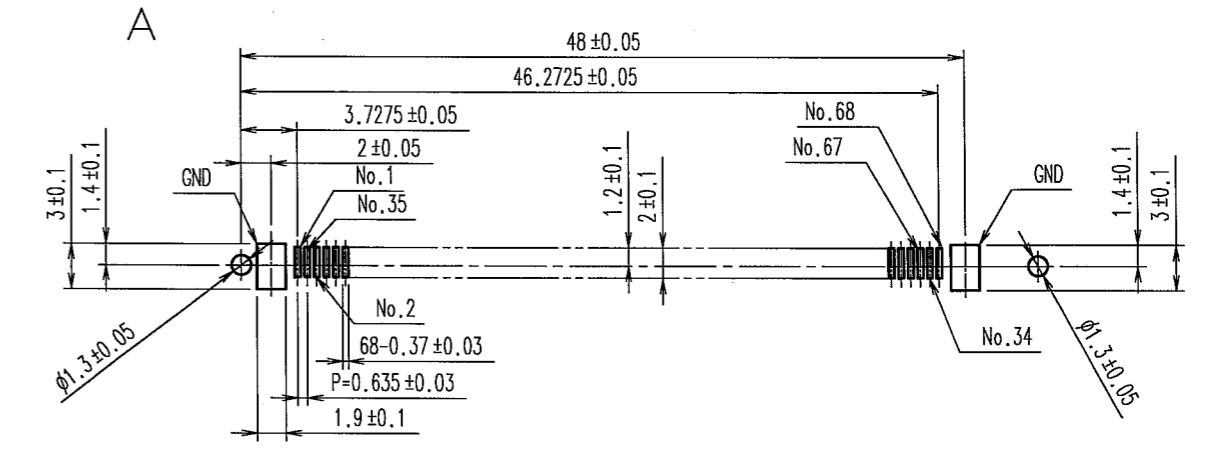


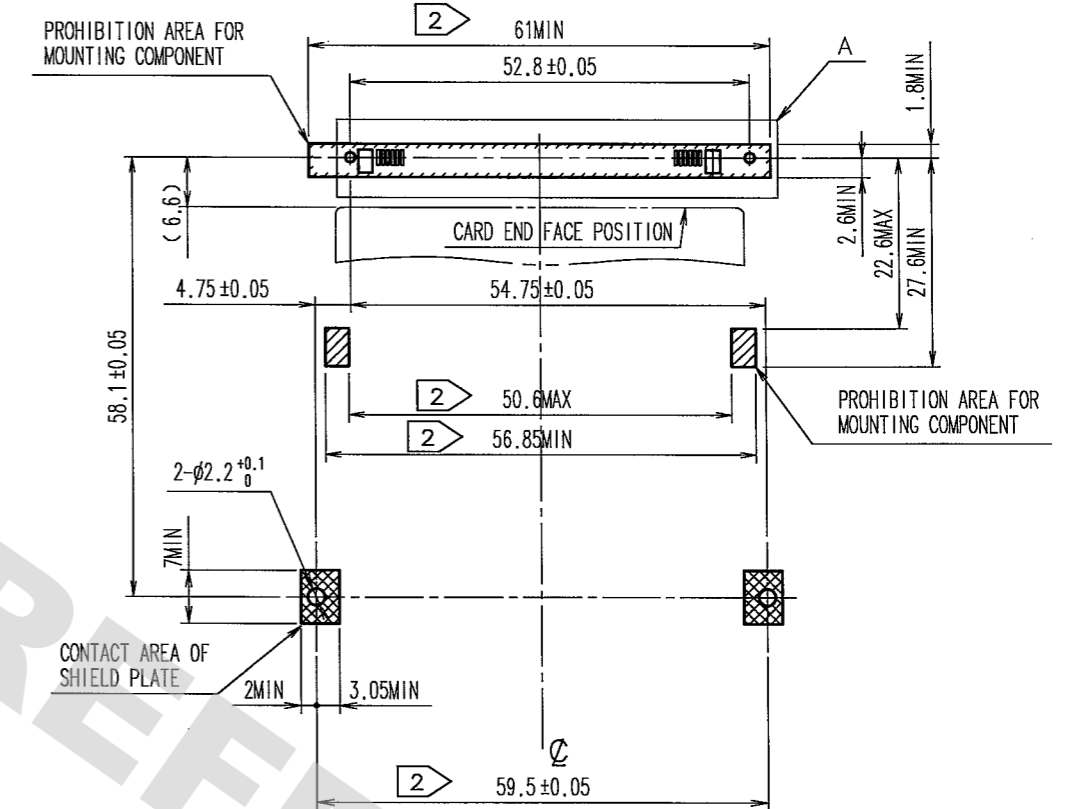
DRAWING FOR REFERENCE: This is subject to change without notice
08/11/2012



COUNT	DESCRIPTION OF REVISIONS	BY	CHKD	DATE	COUNT	DESCRIPTION OF REVISIONS	BY	CHKD	DATE



6 LAND PATTERN DIMENSION OF PWB (ON MOUNTED SIDE) (1:1)



2,3	BRASS	CONTACT AREA: Ni1.5µm+Au0.1µm DIP AREA: Ni1.5µm+Sn1µm	5,6	STAINLESS STEEL		
1	PPS	BLACK UL94V-0	4	COPPER ALLOY		
NO.	MATERIAL	FINISH, REMARKS	NO.	MATERIAL	FINISH, REMARKS	
CODE NO. (OLD) CL		DRAWN H.Saitou	DESIGNED H.Saitou	CHECKED <i>K. Hiejama</i>	APPROVED <i>K. Hiejama</i>	RELEASED
		05.08.05	05.08.05	05.08.12	05.08.12	
DRAWING NO. EDC3-152059-05		PART NO. IC11SA-PL-SF-EJR(71)		CODE NO. CL640-1009-9-71		1/1
SCALE 2:1		UNITS mm		HRS HIROSE ELECTRIC CO., LTD.		

- NOTES
- PC CARD INTERFACE DIMENSION CORRESPONDS TO PC Card Standard.
 - THESE DIMENSIONS ARE SYMMETRICAL FOR THE CENTER LINE.
 - THIS PRODUCT IS AVAILABLE IN COMBINATION WITH CARD-GUIDE UNIT, 「IC11SA-BD-*EJR*」.
 - CARD-GUIDE UNIT, 「IC11SA-BD-*EJR*」 TO BE ASSEMBLED AFTER MOUNTING THIS PRODUCT.
 - THESE (DIMENSIONS) ARE ON DELIVERY.
BE SURE TO CHECK THAT THE FITTINGS ARE AT THE POSITION SHOWN ON ASSEMBLING.
 - THIS DRAWING SHALL NOT BE APPLIED, WHEN 「IC11S-BD-PEJR*」 IS USED AS A CARD-GUIDE UNIT.
NOTE THAT THE RECOMMENDED PCB DIMENSIONS ON THE CARD-GUIDE UNIT DRAWING SHALL BE APPLIED.

TO

X-ON Electronics

Largest Supplier of Electrical and Electronic Components

Click to view similar products for [Memory Card Connectors](#) category:

Click to view products by [Hirose](#) manufacturer:

Other Similar products are found below :

[M21-033321-005](#) [6407-249V-25273P](#) [6407-249V-25343P](#) [6426-201-21343](#) [69.920.0553.0](#) [FCN-568P068-G/07-4V](#) [809180410000000](#)
[N7E50-7516PG-20-WF](#) [21920-5](#) [2041353-2](#) [33CFAE-DN](#) [502431-1011](#) [EN2997S61212BN](#) [EN2997SE61212BN](#) [95622-003LF](#) [N7E50-](#)
[U516RB-50-SIN0005](#) [95079-00CALF](#) [84648-056HLF](#) [68-580163-21S](#) [33DVIR-29S12R](#) [125A-78C00](#) [MI20A-50PD-SF-EJL\(71\)](#) [KP10S-SF-](#)
[PEJ\(812\)](#) [504536-0691](#) [504580-0691](#) [CCM03-3109 B LFT](#) [2309923-1](#) [61126-050CAHLF](#) [IC1GA-68PD-1.27DS-EJ\(72\)](#) [GTFP08432B1HR](#)
[G85DT17001P1EU](#) [G85B21611142HHR](#) [GSD090144HR](#) [G85D1140022P1HR](#) [GMCB05801124EU](#) [112K-TAA0-RA1](#) [115S-ACA2](#) [115S-](#)
[ACA3](#) [115S-BS00](#) [115S-BT00](#) [115V-AD00](#) [MCSP-Q1-08-A-SG-T/R](#) [503960-0695](#) [101B-TAA0-R](#) [101D-TAAA-R01](#) [101D-TAAB-R01](#)
[104D-TCA0-R06](#) [104B-TAA0-R](#) [112C-TBAR-R02](#) [114B-40B00-R02](#)