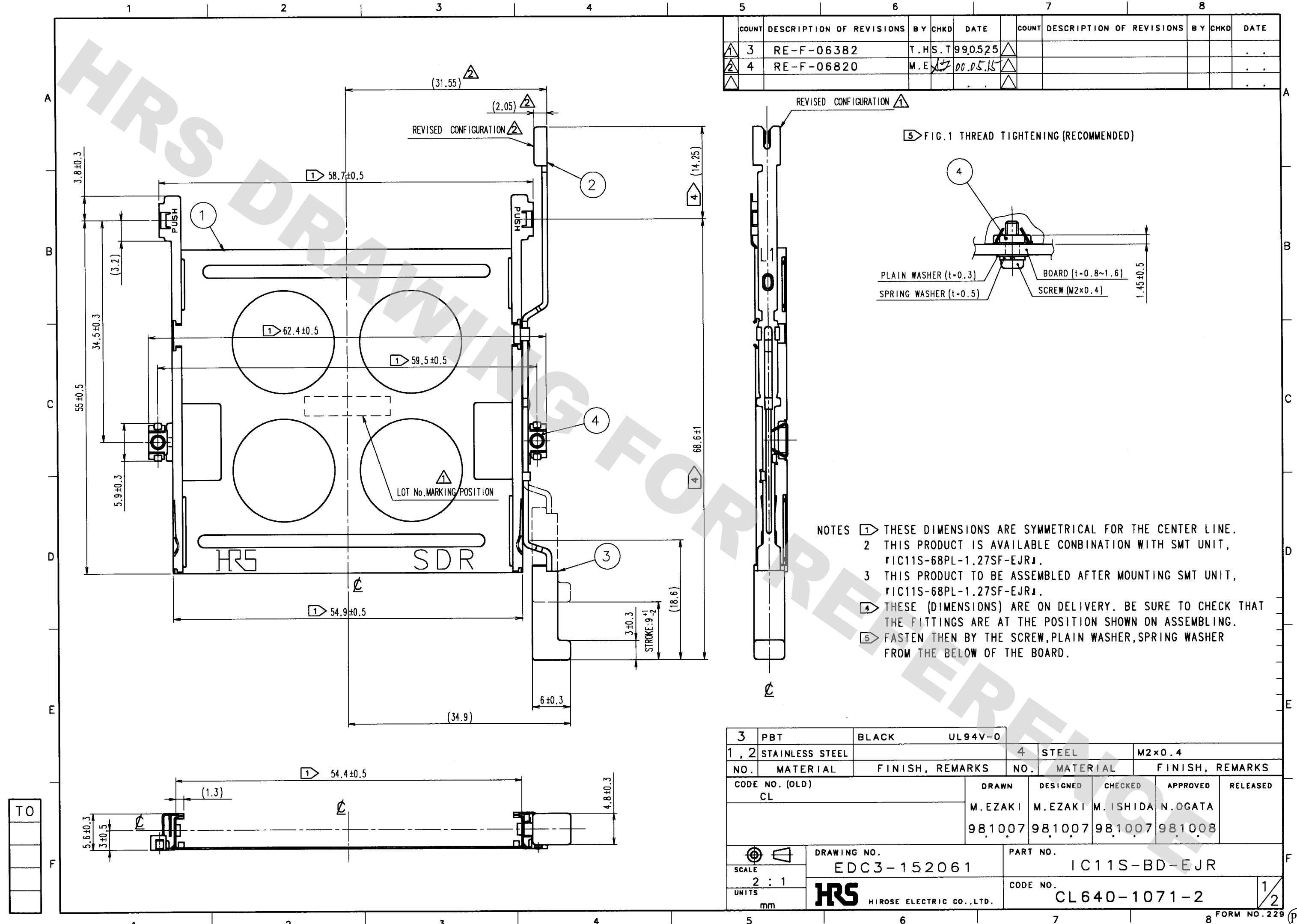
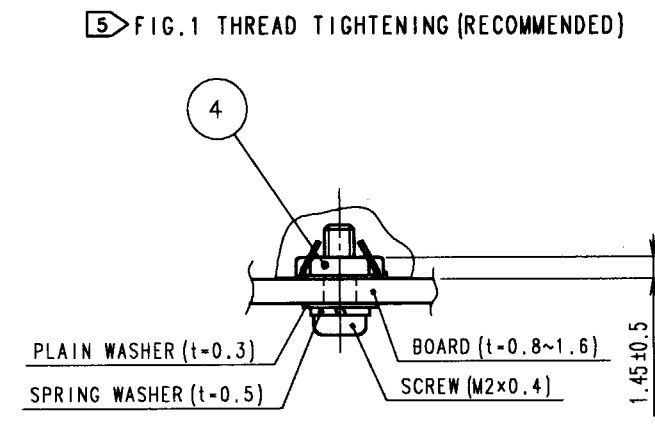


DRAWING FOR REFERENCE: This is subject to change without notice  
08/11/2012



COUNT	DESCRIPTION OF REVISIONS	BY	CHKD	DATE	COUNT	DESCRIPTION OF REVISIONS	BY	CHKD	DATE
3	RE-F-06382	T.H.S.T		99.05.25					
4	RE-F-06820	M.E.		00.05.15					

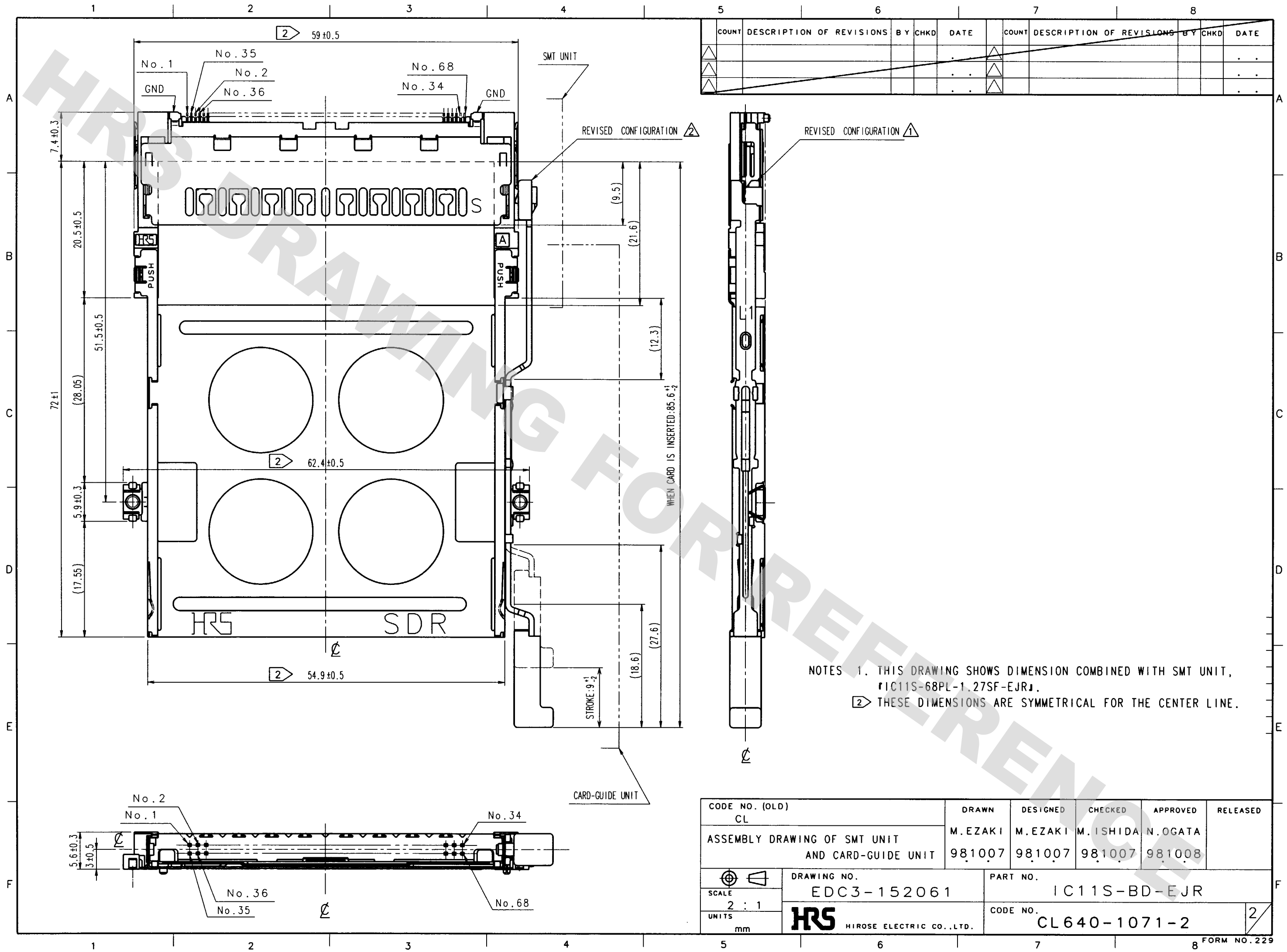
- NOTES
- 1 THESE DIMENSIONS ARE SYMMETRICAL FOR THE CENTER LINE.
  - 2 THIS PRODUCT IS AVAILABLE COMBINATION WITH SMT UNIT, 「IC11S-68PL-1.27SF-EJR」.
  - 3 THIS PRODUCT TO BE ASSEMBLED AFTER MOUNTING SMT UNIT, 「IC11S-68PL-1.27SF-EJR」.
  - 4 THESE (DIMENSIONS) ARE ON DELIVERY. BE SURE TO CHECK THAT THE FITTINGS ARE AT THE POSITION SHOWN ON ASSEMBLING.
  - 5 FASTEN THEN BY THE SCREW, PLAIN WASHER, SPRING WASHER FROM THE BELOW OF THE BOARD.



3	PBT	BLACK	UL94V-0	4	STEEL	M2x0.4	
1, 2	STAINLESS STEEL						
NO.	MATERIAL	FINISH, REMARKS	NO.	MATERIAL	FINISH, REMARKS		
CODE NO. (OLD)	CL		DRAWN	DESIGNED	CHECKED	APPROVED	RELEASED
			M.EZAKI	M.EZAKI	M.ISHIDA	N.OGATA	
			981007	981007	981007	981008	
DRAWING NO. EDC3-152061			PART NO. IC11S-BD-EJR				
SCALE 2:1			CODE NO. CL640-1071-2			1/2	
UNITS mm			HRS HIROSE ELECTRIC CO., LTD.				

DRAWING FOR REFERENCE: This is subject to change without notice  
08/11/2012

TO



COUNT	DESCRIPTION OF REVISIONS	BY	CHKD	DATE	COUNT	DESCRIPTION OF REVISIONS	BY	CHKD	DATE

CODE NO. (OLD) CL	DRAWN M.EZAKI	DESIGNED M.EZAKI	CHECKED M.ISHIDA	APPROVED N.OGATA	RELEASED
ASSEMBLY DRAWING OF SMT UNIT AND CARD-GUIDE UNIT	981007	981007	981007	981008	
SCALE 2 : 1	DRAWING NO. EDC3-152061		PART NO. IC11S-BD-EJR		
UNITS mm	HRS HIROSE ELECTRIC CO.,LTD.		CODE NO. CL640-1071-2		2

## X-ON Electronics

Largest Supplier of Electrical and Electronic Components

*Click to view similar products for [Memory Card Connectors](#) category:*

*Click to view products by [Hirose](#) manufacturer:*

Other Similar products are found below :

[M21-033321-005](#) [6407-249V-25273P](#) [6407-249V-25343P](#) [6426-201-21343](#) [69.920.0553.0](#) [FCN-568P068-G/07-4V](#) [809180410000000](#)  
[N7E50-7516PG-20-WF](#) [21920-5](#) [2041353-2](#) [33CFAE-DN](#) [502431-1011](#) [EN2997S61212BN](#) [EN2997SE61212BN](#) [95622-003LF](#) [N7E50-](#)  
[U516RB-50-SIN0005](#) [95079-00CALF](#) [84648-056HLF](#) [68-580163-21S](#) [33DVIR-29S12R](#) [125A-78C00](#) [MI20A-50PD-SF-EJL\(71\)](#) [KP10S-SF-](#)  
[PEJ\(812\)](#) [504536-0691](#) [504580-0691](#) [CCM03-3109 B LFT](#) [2309923-1](#) [61126-050CAHLF](#) [IC1GA-68PD-1.27DS-EJ\(72\)](#) [GTFP08432B1HR](#)  
[G85DT17001P1EU](#) [G85B21611142HHR](#) [GSD090144HR](#) [G85D1140022P1HR](#) [GMCB05801124EU](#) [112K-TAA0-RA1](#) [115S-ACA2](#) [115S-](#)  
[ACA3](#) [115S-BS00](#) [115S-BT00](#) [115V-AD00](#) [MCSP-Q1-08-A-SG-T/R](#) [503960-0695](#) [101B-TAA0-R](#) [101D-TAAA-R01](#) [101D-TAAB-R01](#)  
[104D-TCA0-R06](#) [104B-TAA0-R](#) [112C-TBAR-R02](#) [114B-40B00-R02](#)