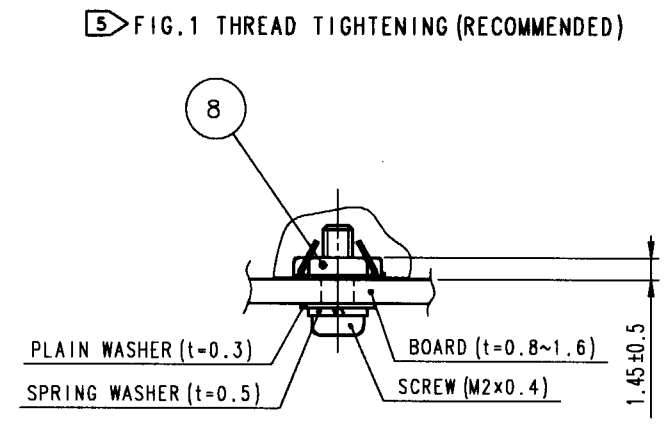
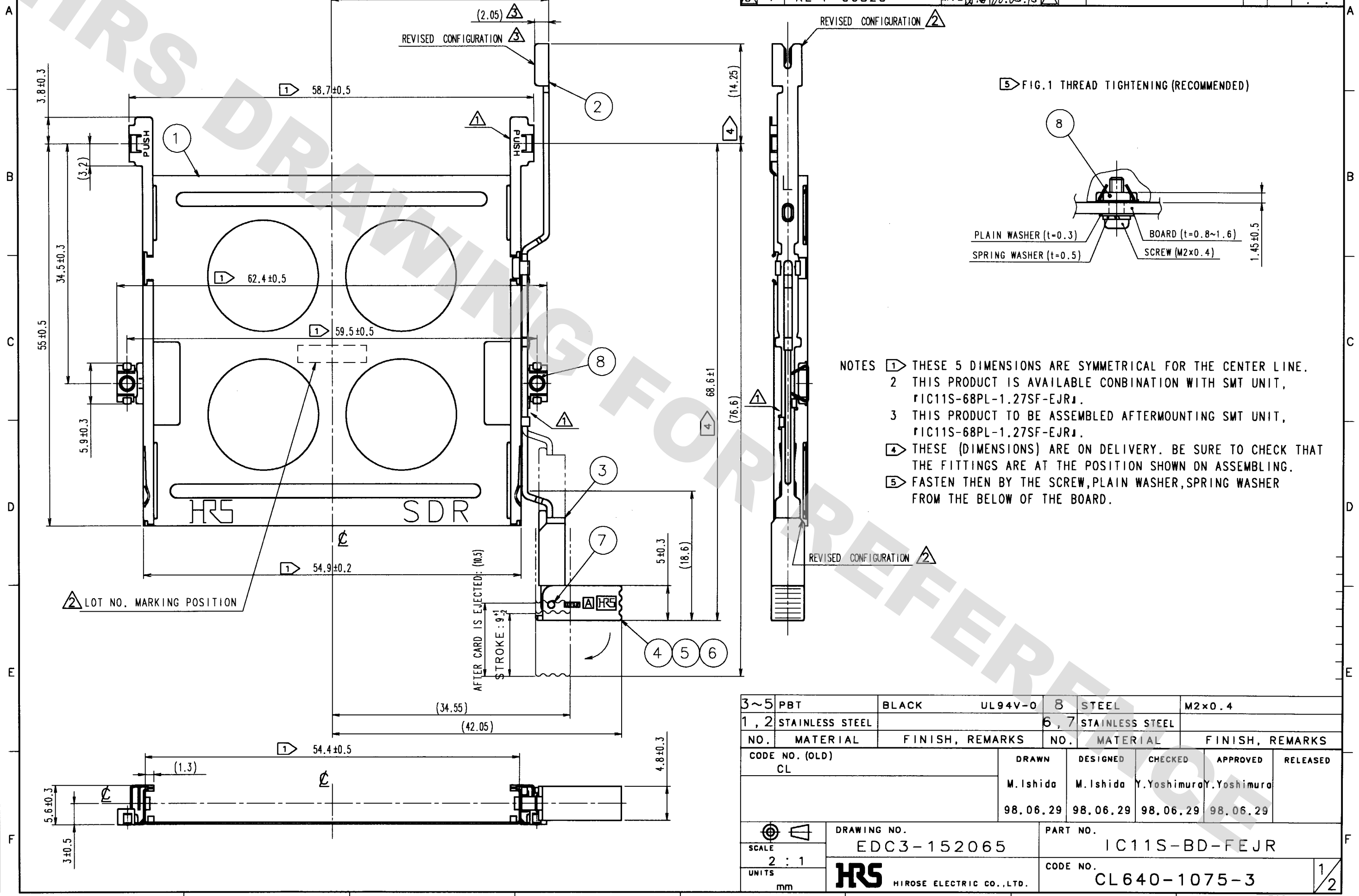


COUNT	DESCRIPTION OF REVISIONS	BY	CHKD	DATE	COUNT	DESCRIPTION OF REVISIONS	BY	CHKD	DATE
6	RE-F-05927	M.I.N.O		98.07.24					
5	RE-F-06376	T.H.S.T		99.04.27					
4	RE-F-06820	M.E.M		00.05.15					



- NOTES
- ① THESE 5 DIMENSIONS ARE SYMMETRICAL FOR THE CENTER LINE.
 - ② THIS PRODUCT IS AVAILABLE COMBINATION WITH SMT UNIT, 「IC11S-68PL-1.27SF-EJR」.
 - ③ THIS PRODUCT TO BE ASSEMBLED AFTER MOUNTING SMT UNIT, 「IC11S-68PL-1.27SF-EJR」.
 - ④ THESE (DIMENSIONS) ARE ON DELIVERY. BE SURE TO CHECK THAT THE FITTINGS ARE AT THE POSITION SHOWN ON ASSEMBLING.
 - ⑤ FASTEN THEN BY THE SCREW, PLAIN WASHER, SPRING WASHER FROM THE BELOW OF THE BOARD.

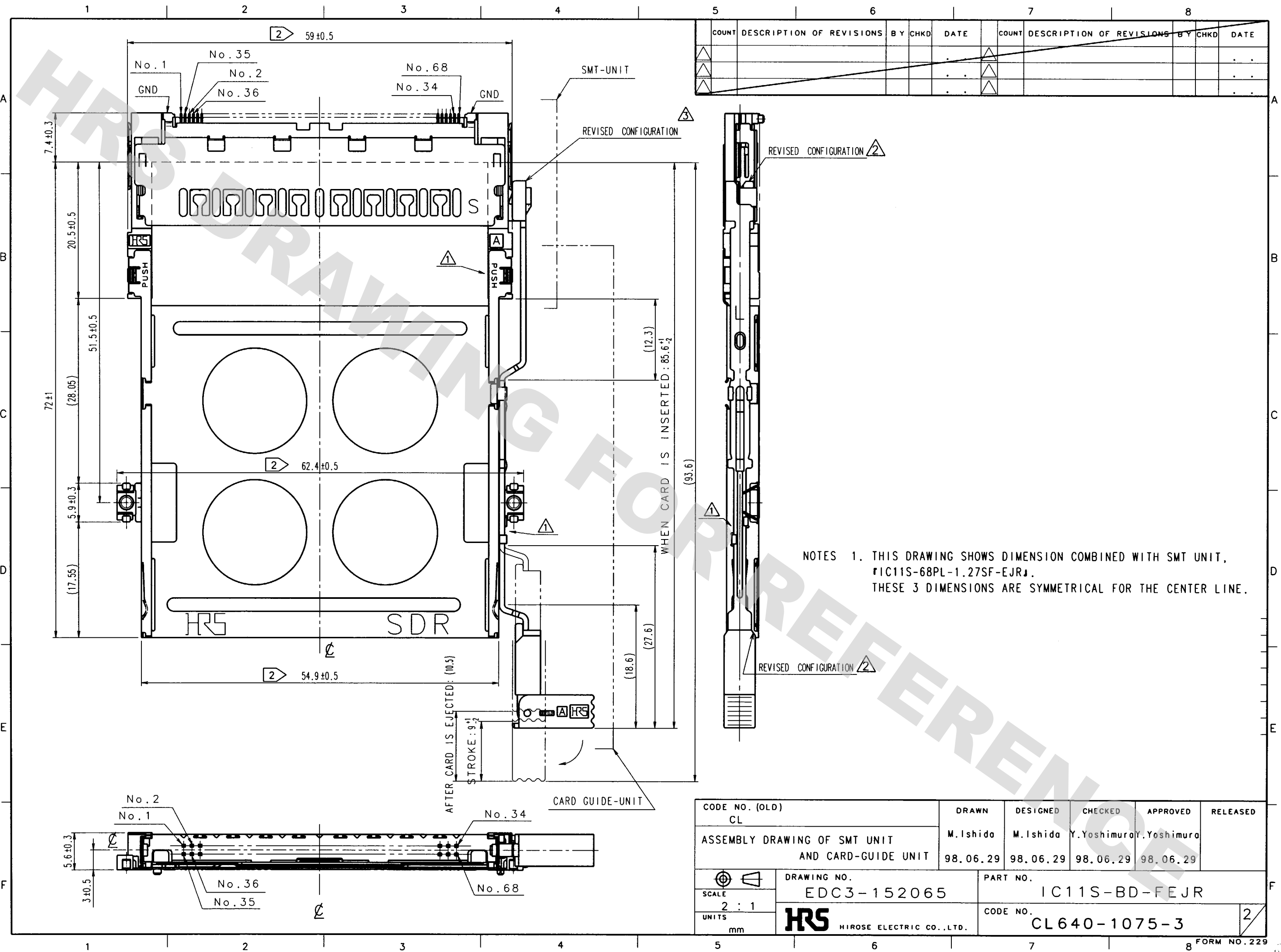
3~5	PBT	BLACK	UL94V-0	8	STEEL	M2x0.4		
1, 2	STAINLESS STEEL			6, 7	STAINLESS STEEL			
NO.	MATERIAL	FINISH, REMARKS		NO.	MATERIAL	FINISH, REMARKS		
CODE NO. (OLD) CL				DRAWN	DESIGNED	CHECKED	APPROVED	RELEASED
				M.Ishida	M.Ishida	Y.Yoshimura	Y.Yoshimura	
				98.06.29	98.06.29	98.06.29	98.06.29	
DRAWING NO. EDC3-152065				PART NO. IC11S-BD-FEJR				
SCALE 2 : 1				CODE NO. CL640-1075-3				
UNITS mm				HRS HIROSE ELECTRIC CO., LTD.				

DRAWING FOR REFERENCE: This is subject to change without notice
08/11/2012

TO

DRAWING FOR REFERENCE: This is subject to change without notice
08/11/2012

TO



COUNT	DESCRIPTION OF REVISIONS	BY	CHKD	DATE	COUNT	DESCRIPTION OF REVISIONS	BY	CHKD	DATE

NOTES 1. THIS DRAWING SHOWS DIMENSION COMBINED WITH SMT UNIT,
「IC11S-68PL-1.27SF-EJR」.
THESE 3 DIMENSIONS ARE SYMMETRICAL FOR THE CENTER LINE.

CODE NO. (OLD) CL	DRAWN M.Ishida	DESIGNED M.Ishida	CHECKED Y.Yoshimura	APPROVED Y.Yoshimura	RELEASED
ASSEMBLY DRAWING OF SMT UNIT AND CARD-GUIDE UNIT	98.06.29	98.06.29	98.06.29	98.06.29	
SCALE 2 : 1	DRAWING NO. EDC3-152065		PART NO. IC11S-BD-FEJR		
UNITS mm	HRS HIROSE ELECTRIC CO.,LTD.		CODE NO. CL640-1075-3		2

X-ON Electronics

Largest Supplier of Electrical and Electronic Components

Click to view similar products for [Memory Card Connectors](#) category:

Click to view products by [Hirose](#) manufacturer:

Other Similar products are found below :

[M21-033321-005](#) [6407-249V-25273P](#) [6407-249V-25343P](#) [6426-201-21343](#) [69.920.0553.0](#) [FCN-568P068-G/07-4V](#) [809180410000000](#)
[N7E50-7516PG-20-WF](#) [21920-5](#) [2041353-2](#) [33CFAE-DN](#) [502431-1011](#) [EN2997S61212BN](#) [EN2997SE61212BN](#) [95622-003LF](#) [N7E50-](#)
[U516RB-50-SIN0005](#) [95079-00CALF](#) [84648-056HLF](#) [68-580163-21S](#) [33DVIR-29S12R](#) [125A-78C00](#) [MI20A-50PD-SF-EJL\(71\)](#) [KP10S-SF-](#)
[PEJ\(812\)](#) [504536-0691](#) [504580-0691](#) [CCM03-3109 B LFT](#) [2309923-1](#) [61126-050CAHLF](#) [IC1GA-68PD-1.27DS-EJ\(72\)](#) [GTFP08432B1HR](#)
[G85DT17001P1EU](#) [G85B21611142HHR](#) [GSD090144HR](#) [G85D1140022P1HR](#) [GMCB05801124EU](#) [112K-TAA0-RA1](#) [115S-ACA2](#) [115S-](#)
[ACA3](#) [115S-BS00](#) [115S-BT00](#) [115V-AD00](#) [MCSP-Q1-08-A-SG-T/R](#) [503960-0695](#) [101B-TAA0-R](#) [101D-TAAA-R01](#) [101D-TAAB-R01](#)
[104D-TCA0-R06](#) [104B-TAA0-R](#) [112C-TBAR-R02](#) [114B-40B00-R02](#)