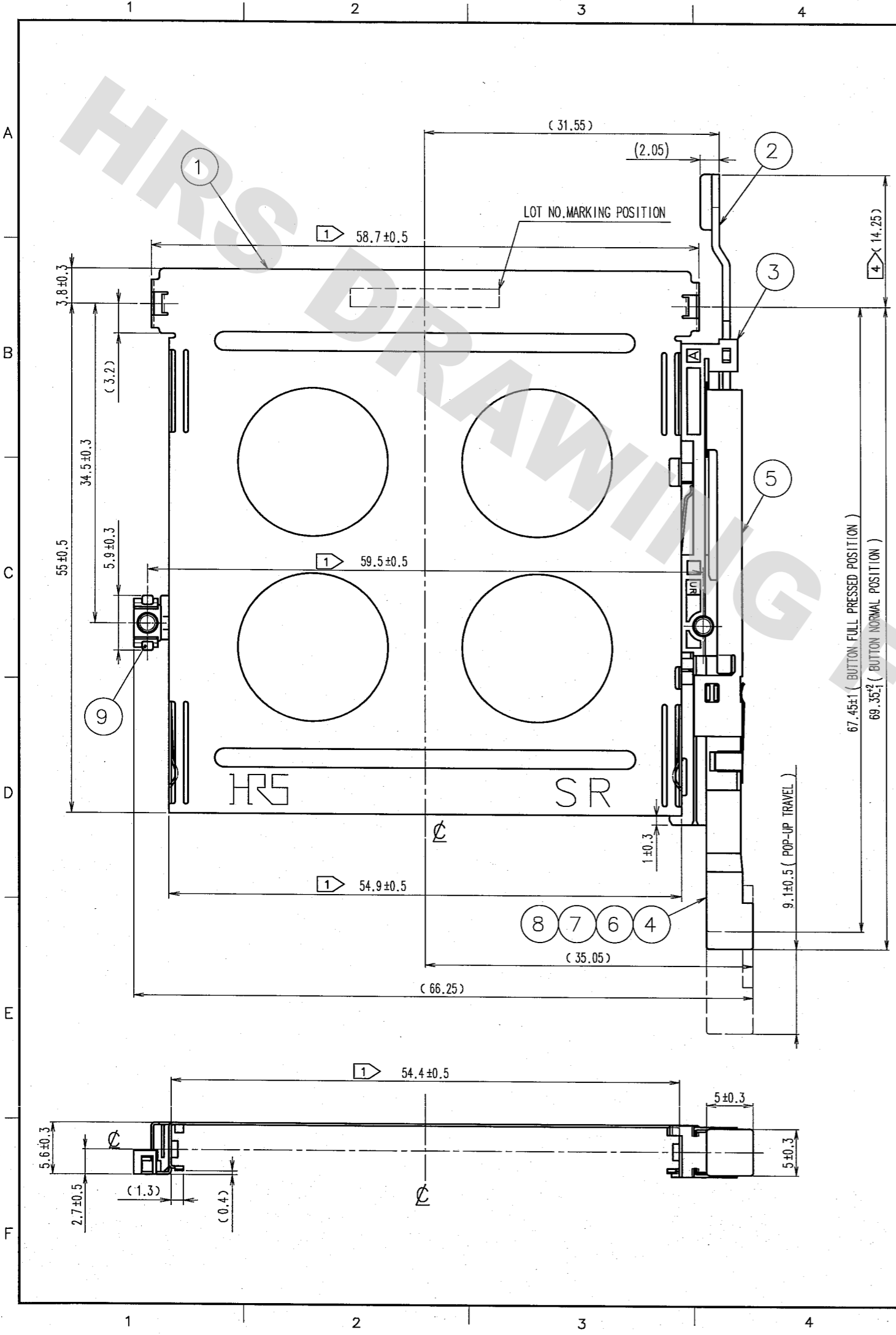


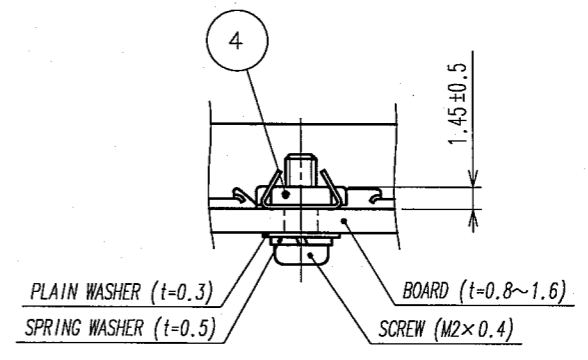
DRAWING FOR REFERENCE: This is subject to change without notice
08/11/2012

TO
PCK



COUNT	DESCRIPTION OF REVISIONS	BY	CHKD	DATE	COUNT	DESCRIPTION OF REVISIONS	BY	CHKD	DATE
△					△				
△					△				
△					△				

5 FIG. 1 THREAD TIGHTENING (RECOMMENDED)

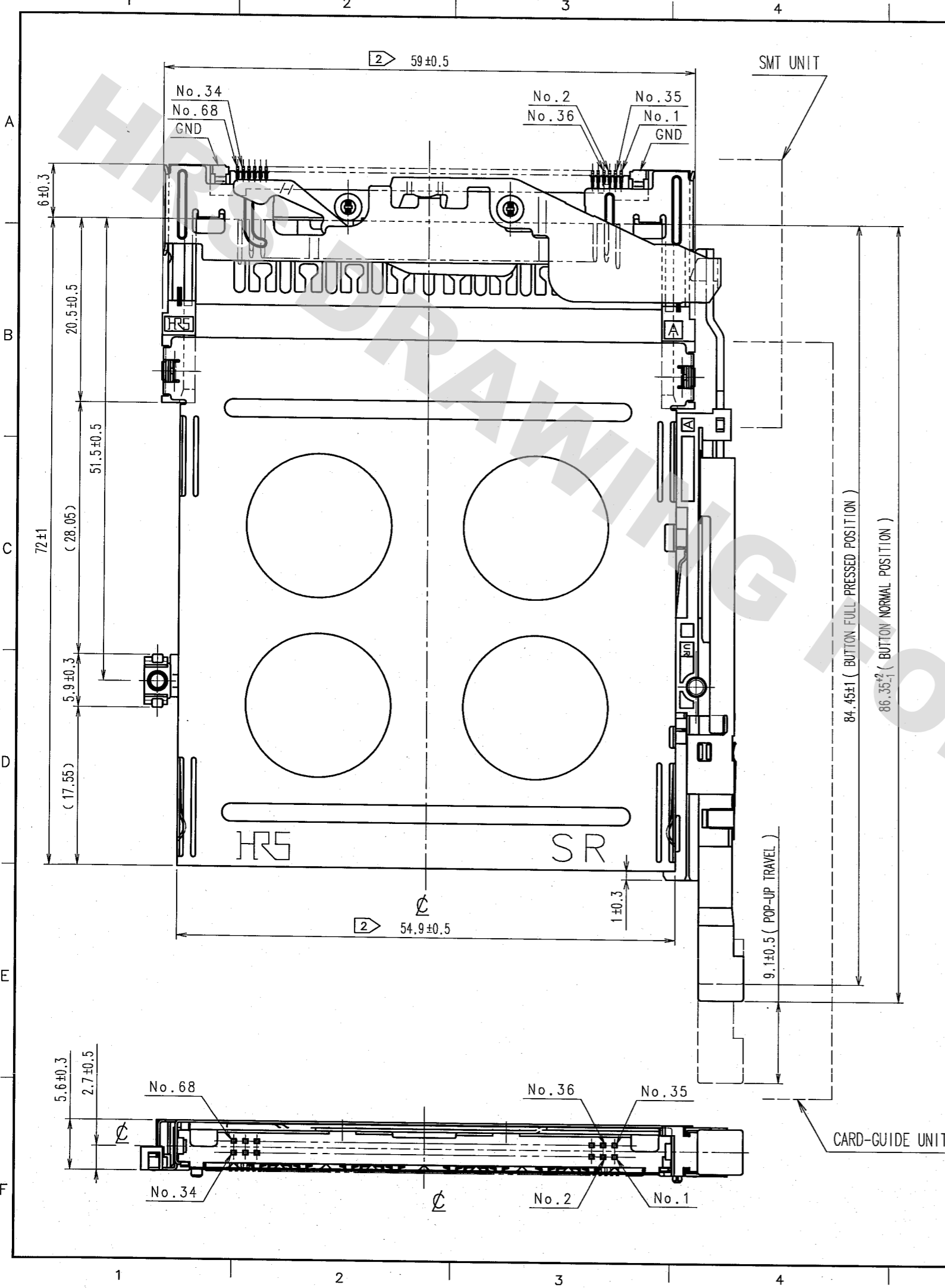


- NOTES
- 1 THESE DIMENSIONS ARE SYMMETRICAL FOR THE CENTER LINE.
 - 2 THIS PRODUCT IS AVAILABLE COMBINATION WITH SMT UNIT, "IC11S-68PLR-1.27SF-EJR".
 - 3 THIS PRODUCT TO BE ASSEMBLED AFTER MOUNTING SMT UNIT, "IC11S-68PLR-1.27SF-EJR".
 - 4 THESE () DIMENSIONS ARE ON DELIVERY. BE SURE TO CHECK THAT THE FITTINGS ARE AT THE POSITION SHOWN ON ASSEMBLING.
 - 5 FASTEN THEN BY SCREW, PLAIN WASHER, SPRING WASHER FROM THE BELOW OF THE BOARD.

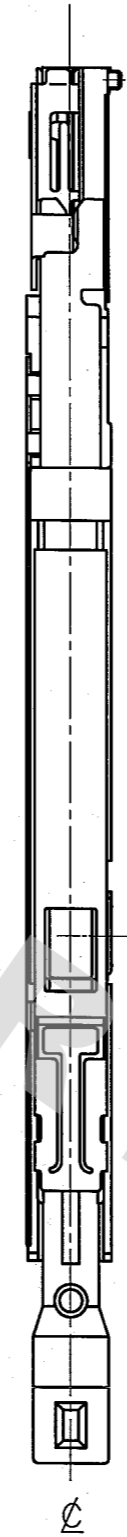
5	STAINLESS STEEL		9	STEEL	M2x0.4
3, 4	PBT	BLACK UL94V-0	8	PBT	BLACK UL94V-0
1, 2	STAINLESS STEEL		7	STEEL	NICKEL
			6	STEEL	NICKEL
NO.	MATERIAL	FINISH, REMARKS	NO.	MATERIAL	FINISH, REMARKS
CODE NO. (OLD) CL			DRAWN	DESIGNED	CHECKED
			H.Saitou	H.Saitou	<i>Tamiko</i>
			06.01.18	06.01.18	06.01.18
					<i>A. Hiyama</i>
					06.01.19
DRAWING NO. EDC3-152015-04		PART NO. IC11S-BUR-PEJR(71)			
SCALE 2 : 1		CODE NO. CL640-1065-0-71		1/2	
UNITS mm		HRS HIROSE ELECTRIC CO., LTD.			

DRAWING FOR REFERENCE: This is subject to change without notice
08/11/2012

TO
PCK



COUNT	DESCRIPTION OF REVISIONS	BY	CHKD	DATE	COUNT	DESCRIPTION OF REVISIONS	BY	CHKD	DATE



NOTES 1 THIS DRAWING SHOWS DIMENSION COMBINED WITH SMT UNIT, "IC11S-68PLR-1.27SF-EJR"
2 THESE DIMENSIONS ARE SYMMETRICAL FOR THE CENTER LINE.

NO.	MATERIAL	FINISH, REMARKS	NO.	MATERIAL	FINISH, REMARKS
CODE NO. (OLD)	CL		DRAWN	DESIGNED	CHECKED
			H.Saitou	H.Saitou	S. Tomioka
ASSEMBLY DRAWING OF SMT UNIT AND CARD-GUIDE UNIT			06.01.18	06.01.18	06.01.18
DRAWING NO.			PART NO.		
EDC3-152015-04			IC11S-BUR-PEJR(71)		
SCALE			CODE NO.		
2 : 1			CL640-1065-0-71		
UNITS			2		
mm			HRS HIROSE ELECTRIC CO., LTD.		

X-ON Electronics

Largest Supplier of Electrical and Electronic Components

Click to view similar products for [Memory Card Connectors](#) category:

Click to view products by [Hirose](#) manufacturer:

Other Similar products are found below :

[M21-033321-005](#) [6407-249V-25273P](#) [6407-249V-25343P](#) [6426-201-21343](#) [69.920.0553.0](#) [FCN-568P068-G/07-4V](#) [809180410000000](#)
[N7E50-7516PG-20-WF](#) [21920-5](#) [2041353-2](#) [33CFAE-DN](#) [502431-1011](#) [EN2997S61212BN](#) [EN2997SE61212BN](#) [95622-003LF](#) [N7E50-](#)
[U516RB-50-SIN0005](#) [95079-00CALF](#) [84648-056HLF](#) [68-580163-21S](#) [33DVIR-29S12R](#) [125A-78C00](#) [MI20A-50PD-SF-EJL\(71\)](#) [KP10S-SF-](#)
[PEJ\(812\)](#) [504536-0691](#) [504580-0691](#) [CCM03-3109 B LFT](#) [2309923-1](#) [61126-050CAHLF](#) [IC1GA-68PD-1.27DS-EJ\(72\)](#) [GTFP08432B1HR](#)
[G85DT17001P1EU](#) [G85B21611142HHR](#) [GSD090144HR](#) [G85D1140022P1HR](#) [GMCB05801124EU](#) [112K-TAA0-RA1](#) [115S-ACA2](#) [115S-](#)
[ACA3](#) [115S-BS00](#) [115S-BT00](#) [115V-AD00](#) [MCSP-Q1-08-A-SG-T/R](#) [503960-0695](#) [101B-TAA0-R](#) [101D-TAAA-R01](#) [101D-TAAB-R01](#)
[104D-TCA0-R06](#) [104B-TAA0-R](#) [112C-TBAR-R02](#) [114B-40B00-R02](#)