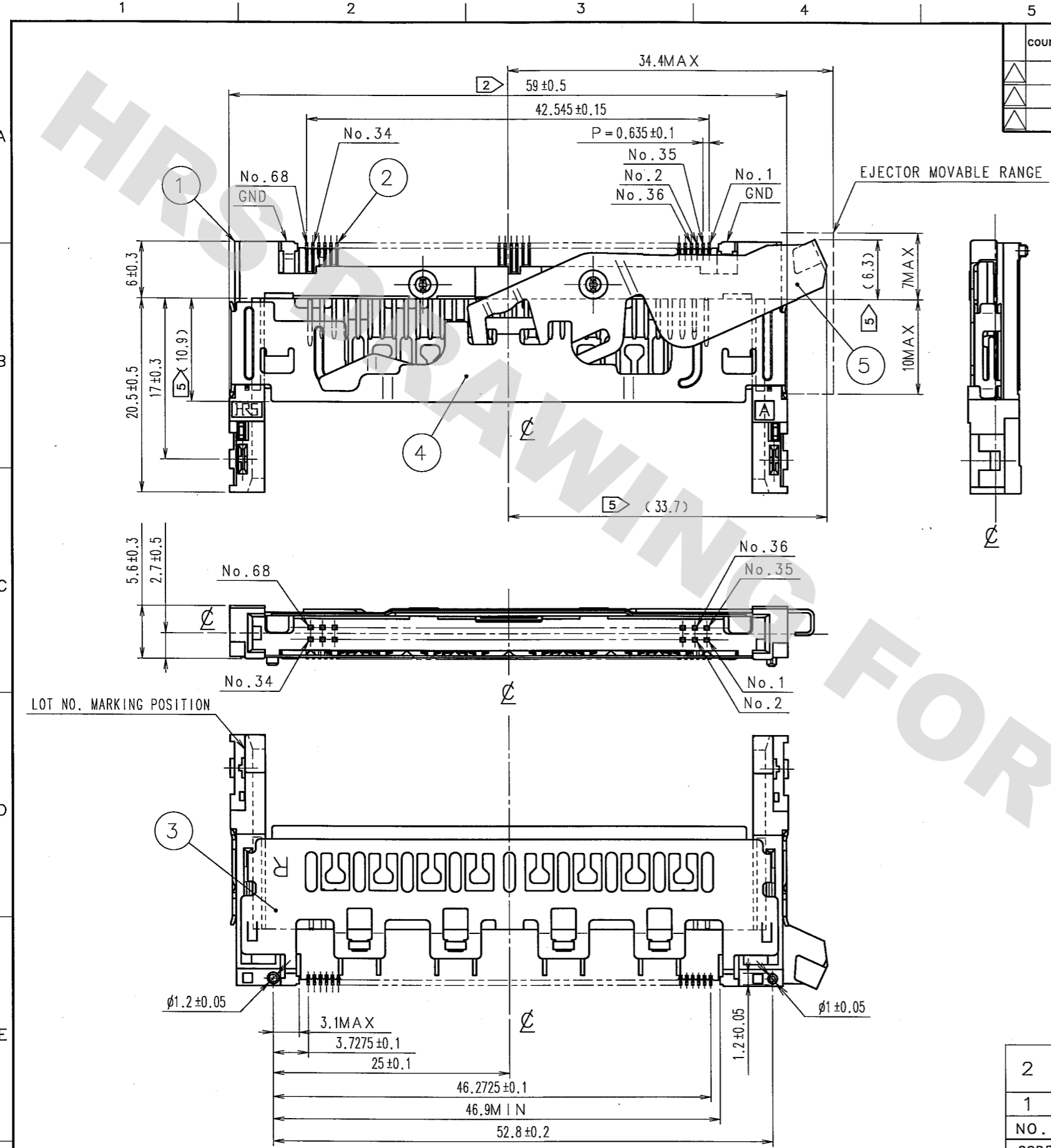
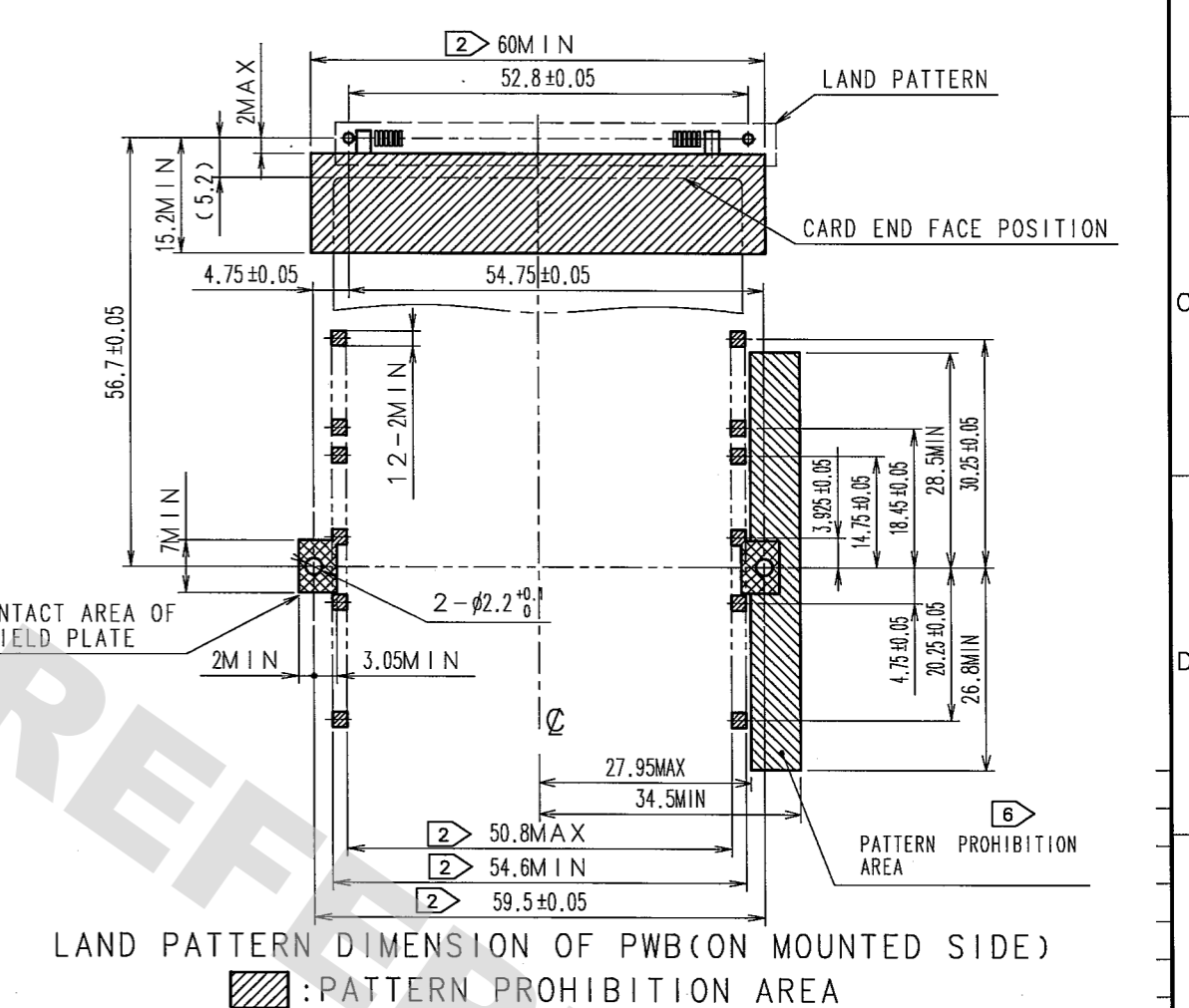
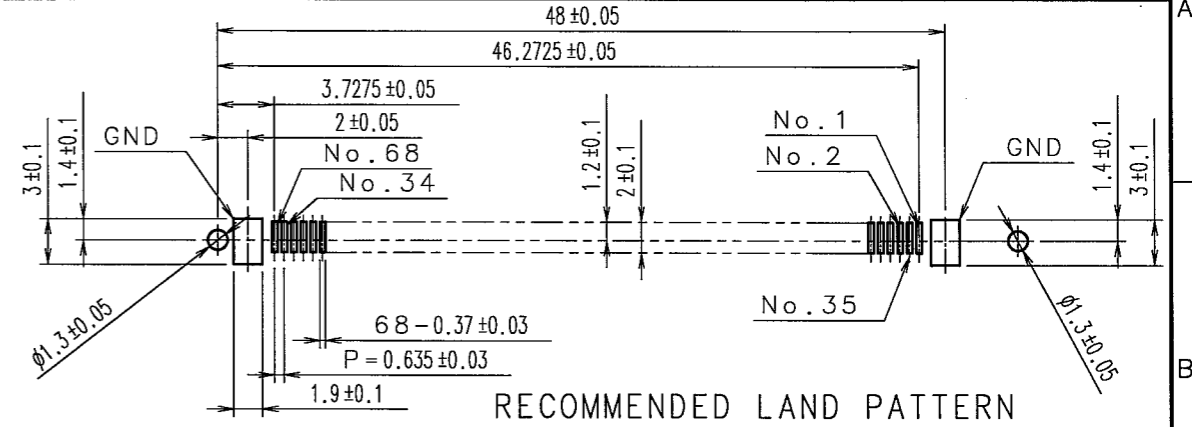


DRAWING FOR REFERENCE: This is subject to change without notice
08/11/2012



COUNT	DESCRIPTION OF REVISIONS	BY	CHKD	DATE	COUNT	DESCRIPTION OF REVISIONS	BY	CHKD	DATE



- NOTES
- PC BOARD INTERFACE DIMENSION CORRESPONDS TO PC Card Standard.
 - THESE 5 DIMENSIONS ARE SYMMETRICAL FOR THE CENTER LINE.
 - THIS PRODUCT IS AVAILABLE IN COMBINATION WITH CARD-GUIDE UNIT, 『IC11S-BUR-***』.
 - CARD-GUIDE UNIT, 『IC11S-BUR-***』 TO BE ASSEMBLED AFTER MOUNTING THIS PRODUCT.
 - THESE (DIMENSIONS) ARE ON DELIVERY.
BE SURE TO CHECK THAT THE FITTINGS ARE AT THE POSITION SHOWN ON ASSEMBLING.
 - THIS PATTERN AREA IS ONLY APPLIED TO CARD-GUIDE UNIT 『IC11S-BUR-PEJR』.

2	BRASS	CONTACT AREA: Ni1.5μm+Au0.1μm MOUNTING AREA: Ni1.5μm+Sn1μm	4, 5	STAINLESS STEEL
1	PPS	BLACK UL94V-0	3	COPPER ALLOY
NO. MATERIAL		FINISH, REMARKS	NO. MATERIAL FINISH, REMARKS	
CODE NO. (OLD) CL		DRAWN H.Saitou	DESIGNED H.Saitou	CHECKED S. Tomoda 05.09.16
		05.09.16	APPROVED K. Hayama 05.09.20	RELEASED
DRAWING NO. EDC3-151863-03		PART NO. IC11S-PLR-SF-EJR(71)		
SCALE 2 : 1		CODE NO. CL640-1003-2-71		
UNITS mm		1/1		

X-ON Electronics

Largest Supplier of Electrical and Electronic Components

Click to view similar products for [Memory Card Connectors](#) category:

Click to view products by [Hirose](#) manufacturer:

Other Similar products are found below :

[M21-033321-005](#) [6407-249V-25273P](#) [6407-249V-25343P](#) [6426-201-21343](#) [69.920.0553.0](#) [FCN-568P068-G/07-4V](#) [809180410000000](#)
[N7E50-7516PG-20-WF](#) [21920-5](#) [2041353-2](#) [33CFAE-DN](#) [502431-1011](#) [EN2997S61212BN](#) [EN2997SE61212BN](#) [95622-003LF](#) [N7E50-](#)
[U516RB-50-SIN0005](#) [95079-00CALF](#) [84648-056HLF](#) [68-580163-21S](#) [33DVIR-29S12R](#) [125A-78C00](#) [MI20A-50PD-SF-EJL\(71\)](#) [KP10S-SF-](#)
[PEJ\(812\)](#) [504536-0691](#) [504580-0691](#) [CCM03-3109 B LFT](#) [2309923-1](#) [61126-050CAHLF](#) [IC1GA-68PD-1.27DS-EJ\(72\)](#) [GTFP08432B1HR](#)
[G85DT17001P1EU](#) [G85B21611142HHR](#) [GSD090144HR](#) [G85D1140022P1HR](#) [GMCB05801124EU](#) [112K-TAA0-RA1](#) [115S-ACA2](#) [115S-](#)
[ACA3](#) [115S-BS00](#) [115S-BT00](#) [115V-AD00](#) [MCSP-Q1-08-A-SG-T/R](#) [503960-0695](#) [101B-TAA0-R](#) [101D-TAAA-R01](#) [101D-TAAB-R01](#)
[104D-TCA0-R06](#) [104B-TAA0-R](#) [112C-TBAR-R02](#) [114B-40B00-R02](#)