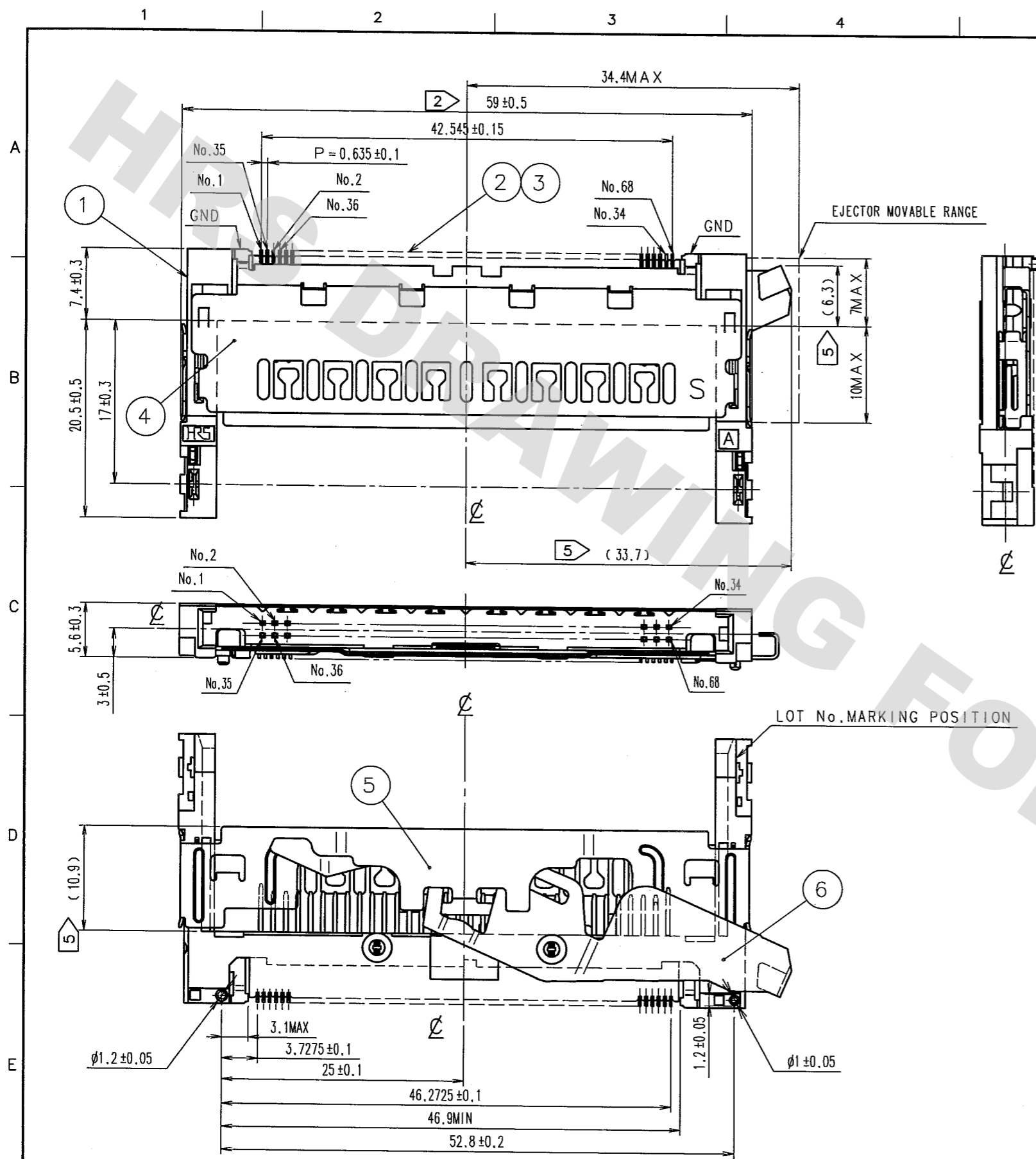
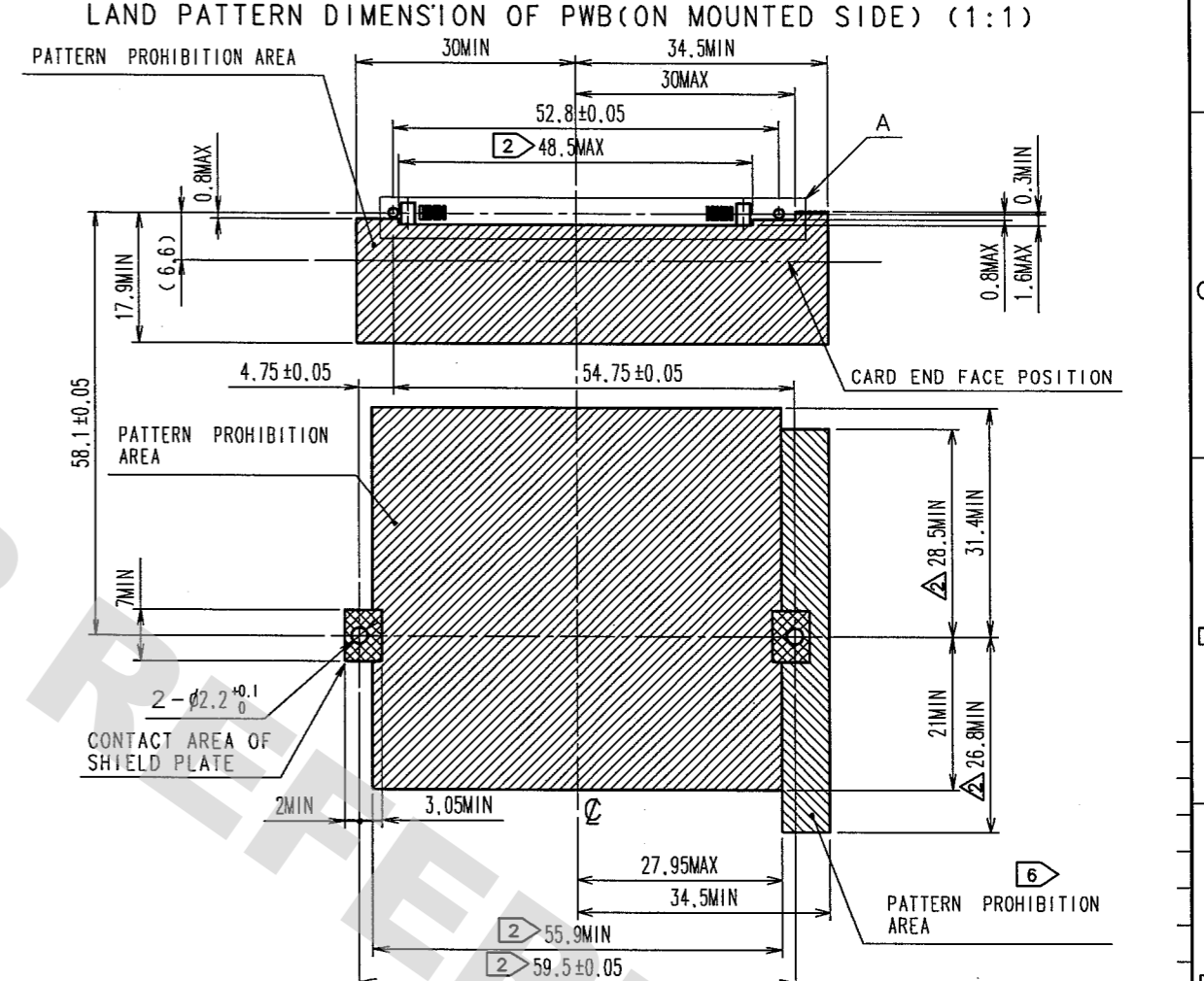
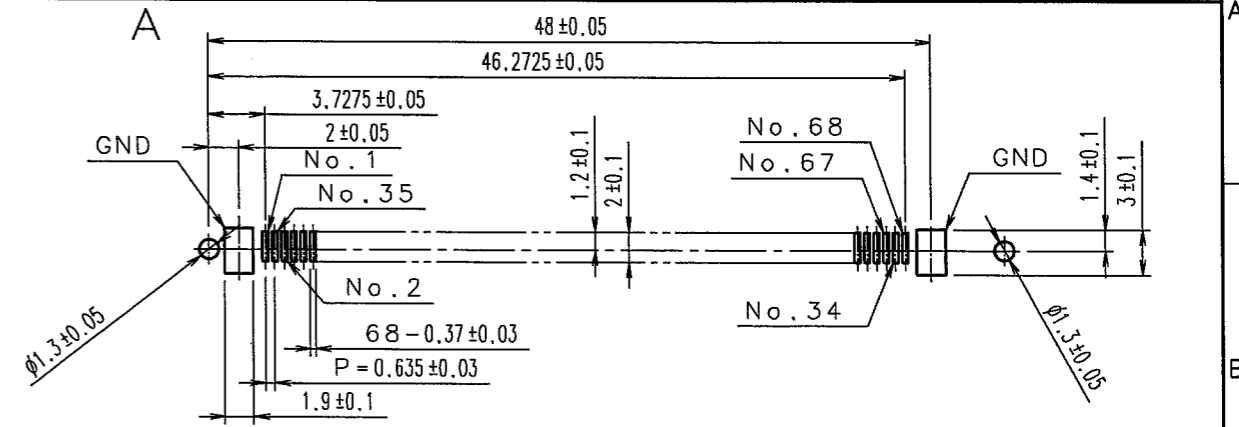


DRAWING FOR REFERENCE: This is subject to change without notice
08/11/2012



COUNT	DESCRIPTION OF REVISIONS	BY	CHKD	DATE	COUNT	DESCRIPTION OF REVISIONS	BY	CHKD	DATE



NO.	MATERIAL	FINISH, REMARKS	NO.	MATERIAL	FINISH, REMARKS
2, 3	BRASS	(CONTACT AREA) Ni 1.5 μm + Au 0.1 μm (DIP AREA) Ni 1.5 μm + Sn 1 μm (OTHERS) Ni 1.5 μm	5, 6	STAINLESS STEEL	
1	PPS	BLACK UL94V-0	4	COPPER ALLOY	(CONTACT AREA) Ni 1 μm + GOLD (FLASH) (DIP AREA) Ni 1 μm + Sn 1 μm (OTHERS) Ni 1 μm

CODE NO. (OLD)	DRAWN	DESIGNED	CHECKED	APPROVED	RELEASED
CL	H.Saitou	H.Saitou	<i>[Signature]</i>	<i>[Signature]</i>	
	05.01.28	05.01.28	05.01.28	05.01.31	

SCALE	DRAWING NO.	PART NO.
2 : 1	EDC3-152057-05	IC11S-PL-SF-EJR(71)
UNITS	CODE NO.	
mm	CL640-1007-3-71	

NOTES

- PC CARD INTERFACE DIMENSION CORRESPONS TO PC Card Standard.
- THESE DIMENSIONS ARE SYMMETRICAL FOR THE CENTER LINE.
- THIS PRODUCT IS AVAILABLE IN COMBINATION WITH CARD-GUIDE UNIT, 『IC11S-BD-★EJR★』.
- CARD-GUIDE UNIT, 『IC11S-BD-★EJR★』 TO BE ASSEMBLED AFTER MOUNTING THIS PRODUCT.
- THESE (DIMENSIONS) ARE ON DELIVERY.
- BE SURE TO CHECK THAT THE FITTINGS ARE AT THE POSITION SHOWN ON ASSEMBLING.
- THIS PATTERN AREA IS ONLY APPLIED TO CARD-GUIDE UNIT 『IC11S-BD-PEJR』.

TO

X-ON Electronics

Largest Supplier of Electrical and Electronic Components

Click to view similar products for [Memory Card Connectors](#) category:

Click to view products by [Hirose](#) manufacturer:

Other Similar products are found below :

[M21-033321-005](#) [6407-249V-25273P](#) [6407-249V-25343P](#) [6426-201-21343](#) [69.920.0553.0](#) [FCN-568P068-G/07-4V](#) [809180410000000](#)
[N7E50-7516PG-20-WF](#) [2041353-2](#) [33CFAE-DN](#) [502431-1011](#) [EN2997S61212BN](#) [EN2997SE61212BN](#) [617230001](#) [95622-003LF](#) [N7E50-](#)
[U516RB-50-SIN0005](#) [95079-00CALF](#) [33DVIR-29S12R](#) [125A-78C00](#) [MI20A-50PD-SF-EJL\(71\)](#) [KP10S-SF-PEJ\(812\)](#) [504536-0691](#) [504580-](#)
[0691](#) [CCM03-3109 B LFT](#) [MI21-50PD-SF\(91\)](#) [2309923-1](#) [61126-050CAHLF](#) [IC1GA-68PD-1.27DS-EJ\(72\)](#) [GTFP08432B1HR](#)
[G85DT17001P1EU](#) [G85B21611142HHR](#) [GSD090144HR](#) [G85D1140022P1HR](#) [GMCB05801124EU](#) [G85C11101152HHR](#)
[G85B231021B1HR](#) [G85D1160022HHR](#) [055036006202862+](#) [112K-TAA0-RA1](#) [115S-ACA2](#) [115S-ACA3](#) [115S-BS00](#) [115S-BT00](#) [115V-](#)
[AD00](#) [MCSP-Q1-08-A-SG-T/R](#) [503960-0695](#) [101B-TAA0-R](#) [101D-TAAA-R01](#) [101D-TAAB-R01](#) [104D-TCA0-R06](#)