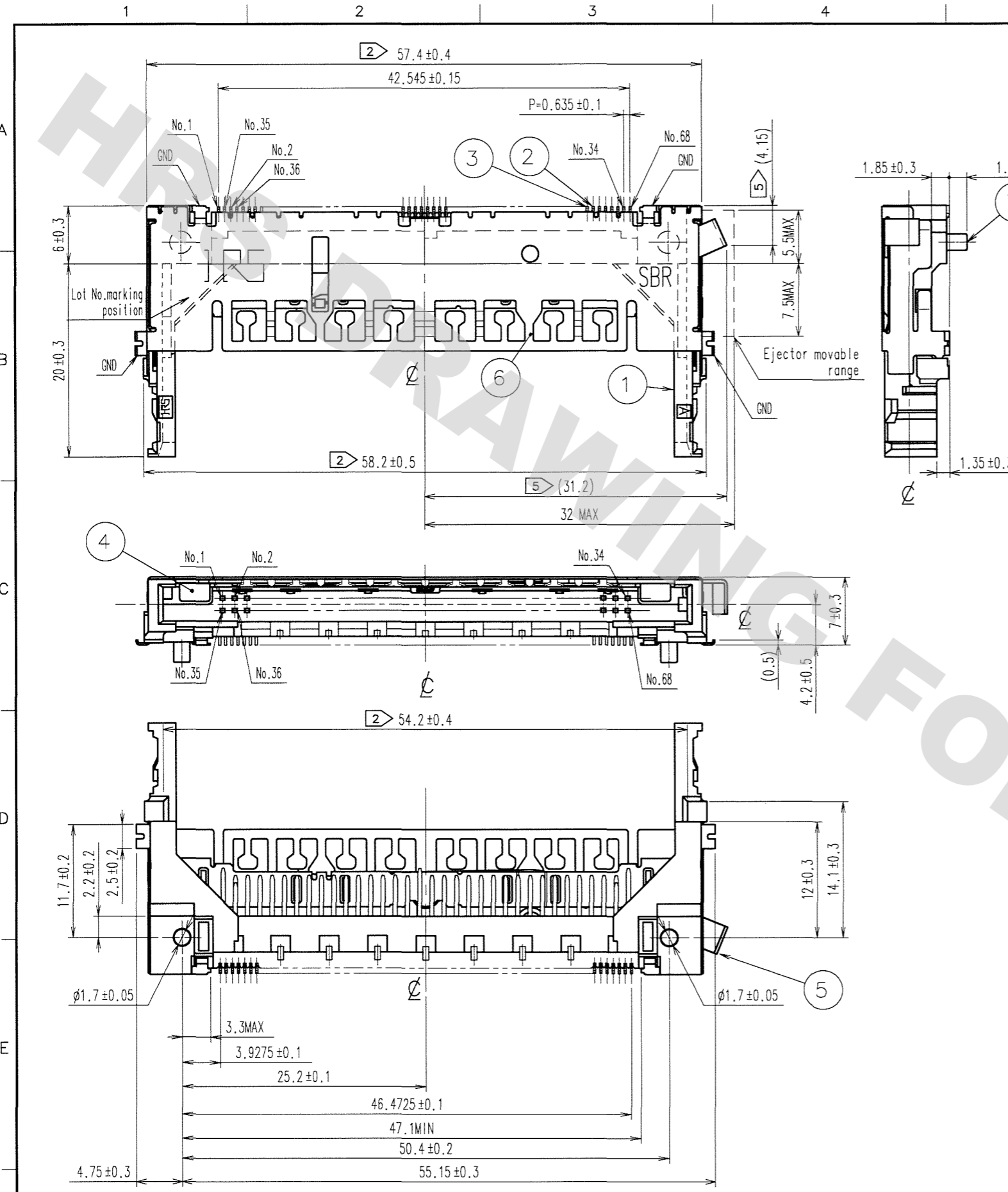
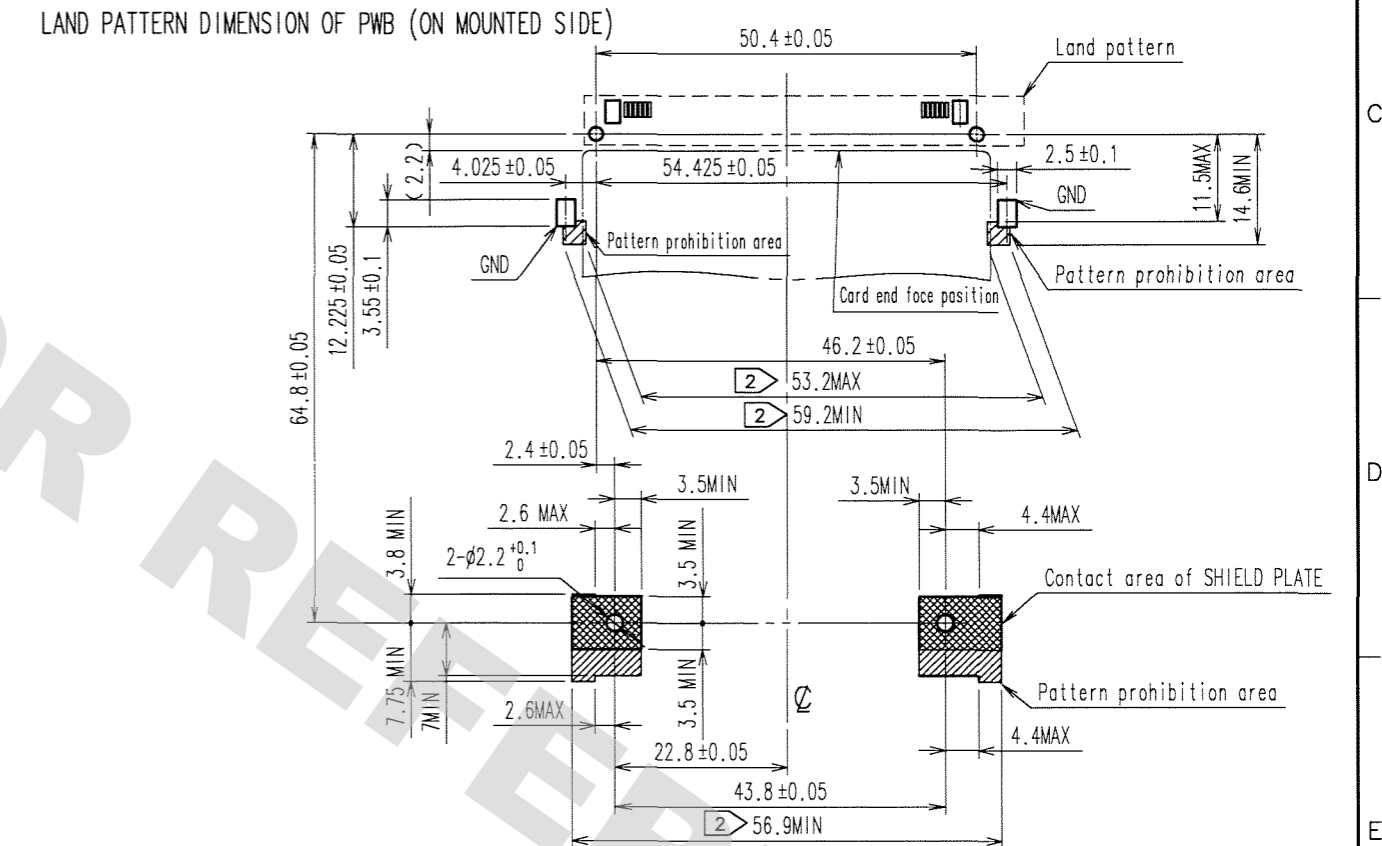
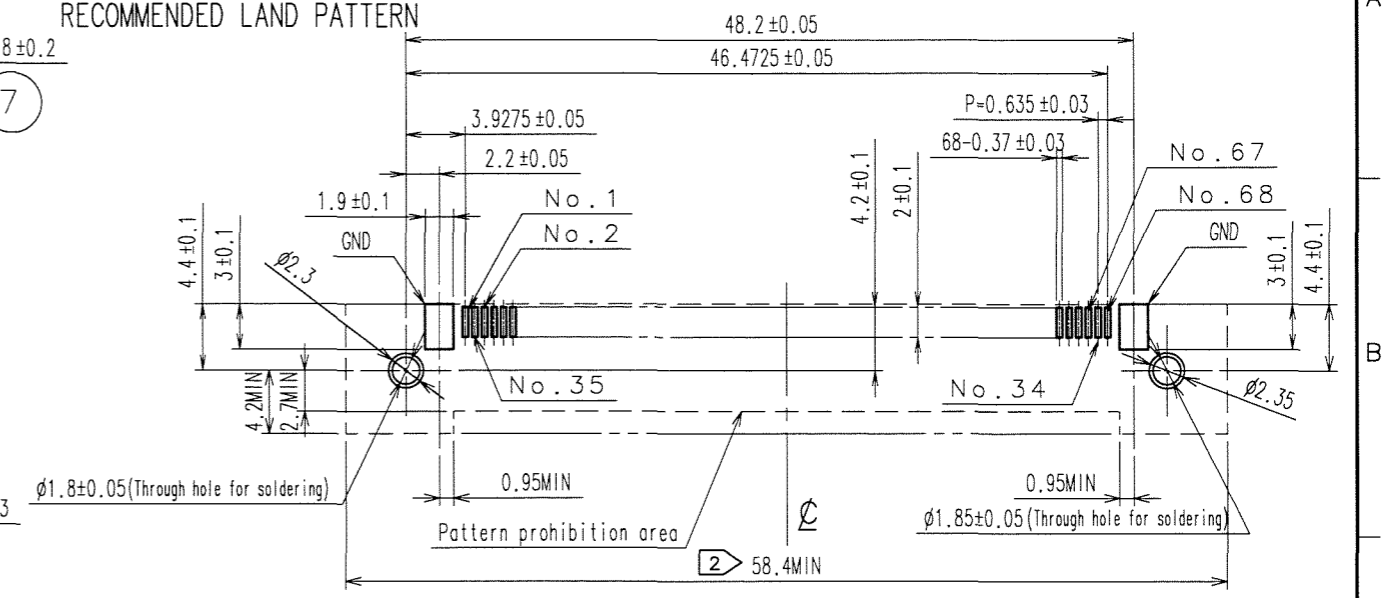


DRAWING FOR REFERENCE: This is subject to change without notice
08/11/2012



COUNT	DESCRIPTION OF REVISIONS	BY	CHKD	DATE	COUNT	DESCRIPTION OF REVISIONS	BY	CHKD	DATE



- Notes
- PC card interface dimension corresponds to 『PC Card Standard』.
 - These 3 dimensions are symmetrical for the center line.
 - This product is available in combination with CARD-GUIDE UNIT, 『IC14BM3-G-PEJR』.
 - CARD-GUIDE UNIT, 『IC14BM3-G-PEJR』 to be assembled after mounting this product.
 - These (dimensions) are on delivey. Be sure to check that the fittings are at the position shown on assembling.

2,3	BRASS	CONTACT AREA : Ni1.5 μ m+Au0.1 μ m DIP AREA : Ni1.5 μ m+Sn1 μ m	7	COPPER ALLOY	Ni1.5 μ m+Sn1 μ m		
1	PA		6	STAINLESS STEEL	Ni		
NO.	MATERIAL	FINISH, REMARKS	NO.	MATERIAL	FINISH, REMARKS		
CODE NO. (OLD)	CL		DRAWN	DESIGNED	CHECKED	APPROVED	RELEASED
			H. SUGIMURA	H. SUGIMURA	<i>[Signature]</i>	<i>[Signature]</i>	
		'Standard, stand off 1.5mm and ejector on right' type	07.07.21	07.07.21	07.07.23	07.07.23	
SCALE	DRAWING NO. EDC3-153545-02		PART NO. IC14B-PL-SF-EJR(71)				
UNITS	mm		CODE NO. CL640-1309-2-71		1/1		

TO
PCK

X-ON Electronics

Largest Supplier of Electrical and Electronic Components

Click to view similar products for [Memory Card Connectors](#) category:

Click to view products by [Hirose](#) manufacturer:

Other Similar products are found below :

[M21-033321-005](#) [6407-249V-25273P](#) [6407-249V-25343P](#) [6426-201-21343](#) [69.920.0553.0](#) [FCN-568P068-G/07-4V](#) [809180410000000](#)
[N7E50-7516PG-20-WF](#) [21920-5](#) [2041353-2](#) [33CFAE-DN](#) [502431-1011](#) [EN2997S61212BN](#) [EN2997SE61212BN](#) [95622-003LF](#) [N7E50-](#)
[U516RB-50-SIN0005](#) [95079-00CALF](#) [84648-056HLF](#) [68-580163-21S](#) [33DVIR-29S12R](#) [125A-78C00](#) [MI20A-50PD-SF-EJL\(71\)](#) [KP10S-SF-](#)
[PEJ\(812\)](#) [504536-0691](#) [504580-0691](#) [CCM03-3109 B LFT](#) [2309923-1](#) [61126-050CAHLF](#) [IC1GA-68PD-1.27DS-EJ\(72\)](#) [GTFP08432B1HR](#)
[G85DT17001P1EU](#) [G85B21611142HHR](#) [GSD090144HR](#) [G85D1140022P1HR](#) [GMCB05801124EU](#) [112K-TAA0-RA1](#) [115S-ACA2](#) [115S-](#)
[ACA3](#) [115S-BS00](#) [115S-BT00](#) [115V-AD00](#) [MCSP-Q1-08-A-SG-T/R](#) [503960-0695](#) [101B-TAA0-R](#) [101D-TAAA-R01](#) [101D-TAAB-R01](#)
[104D-TCA0-R06](#) [104B-TAA0-R](#) [112C-TBAR-R02](#) [114B-40B00-R02](#)