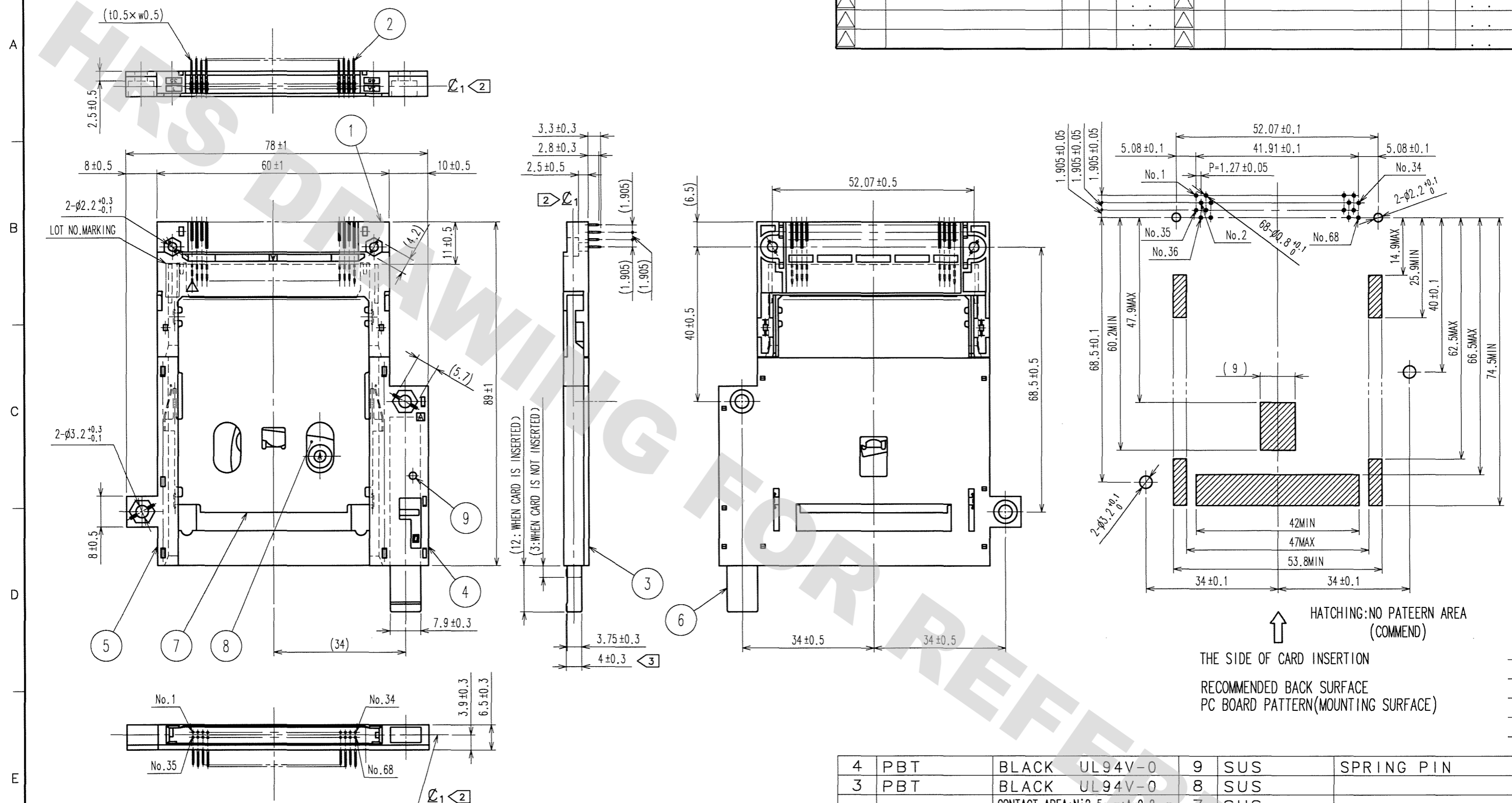


DRAWING FOR REFERENCE: This is subject to change without notice
08/11/2012

TO
PCK

COUNT	DESCRIPTION OF REVISIONS	BY	CHKD	DATE	COUNT	DESCRIPTION OF REVISIONS	BY	CHKD	DATE
△					△				
△					△				
△					△				



HATCHING: NO PATTERN AREA (COMMEND)
↑
THE SIDE OF CARD INSERTION
RECOMMENDED BACK SURFACE
PC BOARD PATTERN (MOUNTING SURFACE)

NOTE 1 DIMENSION OF CARD CONNECTION AREA COMPLIES WITH 「PC Card Standard」
② ϕ_1 INDICATES THE CENTER LINE OF MATING AREA.
③ THE CENTER LINE OF IDENTIFIED DIMENSION (4) CORRESPOND WITH THE ϕ_1 .

4	PBT	BLACK	UL94V-0	9	SUS	SPRING PIN
3	PBT	BLACK	UL94V-0	8	SUS	
2	BRASS	CONTACT AREA: Ni2.5 μ m+Au0.2 μ m		7	SUS	
		MOUNTING AREA: Ni2.5 μ m+Sn2 μ m		6	PBT	BLACK UL94V-0
1	PBT	BLACK	UL94V-0	5	PBT	BLACK UL94V-0
NO.	MATERIAL	FINISH, REMARKS		NO.	MATERIAL	FINISH, REMARKS

CODE NO. (OLD)	DRAWN	DESIGNED	CHECKED	APPROVED	RELEASED
CL	H. SAITOU	H. SAITOU	<i>S. Tomoda</i>	<i>K. Higashimura</i>	
	06.03.16	06.03.16	06.03.16	06.03.16	

SCALE	DRAWING NO.	PART NO.
1 : 1	EDC3-082873-02	IC1G-68PD-1.27DS-EJ(72)
UNITS	HIROSE ELECTRIC CO., LTD	CODE NO.
mm		CL640-0020-6-72

X-ON Electronics

Largest Supplier of Electrical and Electronic Components

Click to view similar products for [Memory Card Connectors](#) category:

Click to view products by [Hirose](#) manufacturer:

Other Similar products are found below :

[M21-033321-005](#) [6407-249V-25273P](#) [6407-249V-25343P](#) [6426-201-21343](#) [69.920.0553.0](#) [FCN-568P068-G/07-4V](#) [809180410000000](#)
[N7E50-7516PG-20-WF](#) [21920-5](#) [2041353-2](#) [33CFAE-DN](#) [502431-1011](#) [EN2997S61212BN](#) [EN2997SE61212BN](#) [95622-003LF](#) [N7E50-](#)
[U516RB-50-SIN0005](#) [95079-00CALF](#) [84648-056HLF](#) [68-580163-21S](#) [33DVIR-29S12R](#) [125A-78C00](#) [MI20A-50PD-SF-EJL\(71\)](#) [KP10S-SF-](#)
[PEJ\(812\)](#) [504536-0691](#) [504580-0691](#) [CCM03-3109 B LFT](#) [2309923-1](#) [61126-050CAHLF](#) [IC1GA-68PD-1.27DS-EJ\(72\)](#) [GTFP08432B1HR](#)
[G85DT17001P1EU](#) [G85B21611142HHR](#) [GSD090144HR](#) [G85D1140022P1HR](#) [GMCB05801124EU](#) [112K-TAA0-RA1](#) [115S-ACA2](#) [115S-](#)
[ACA3](#) [115S-BS00](#) [115S-BT00](#) [115V-AD00](#) [MCSP-Q1-08-A-SG-T/R](#) [503960-0695](#) [101B-TAA0-R](#) [101D-TAAA-R01](#) [101D-TAAB-R01](#)
[104D-TCA0-R06](#) [104B-TAA0-R](#) [112C-TBAR-R02](#) [114B-40B00-R02](#)