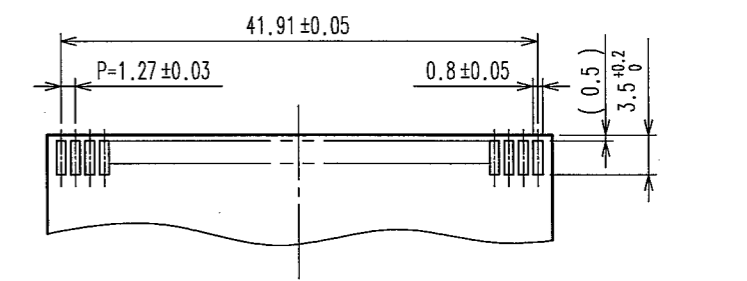
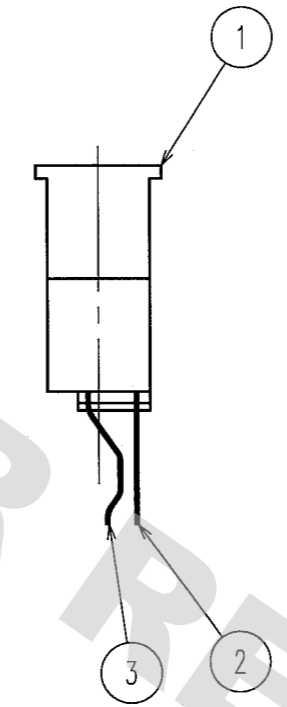
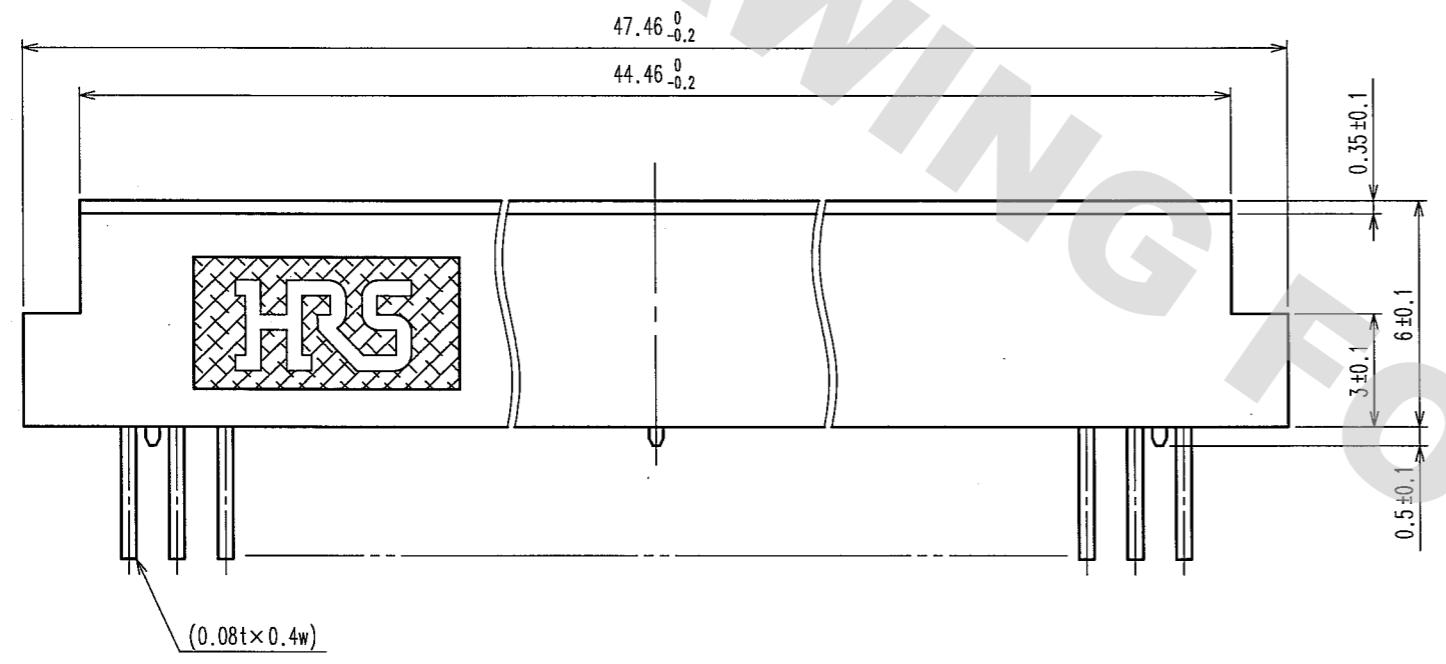
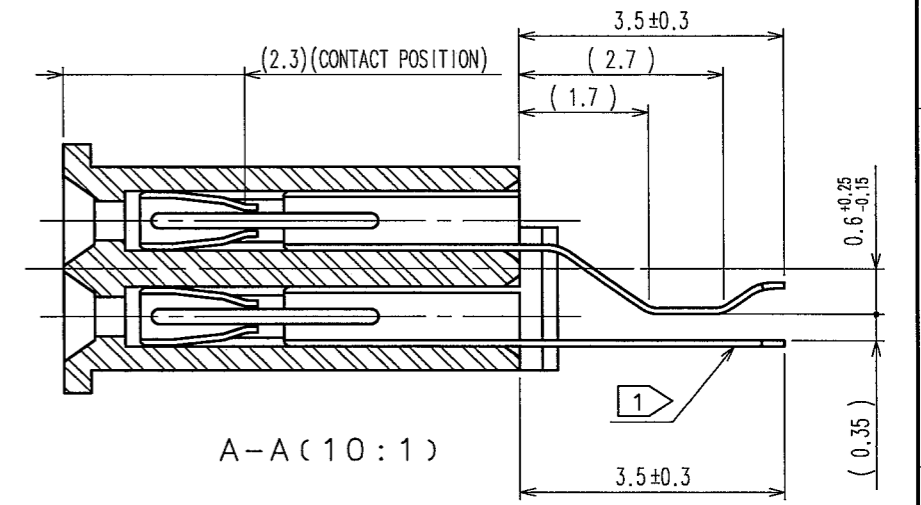
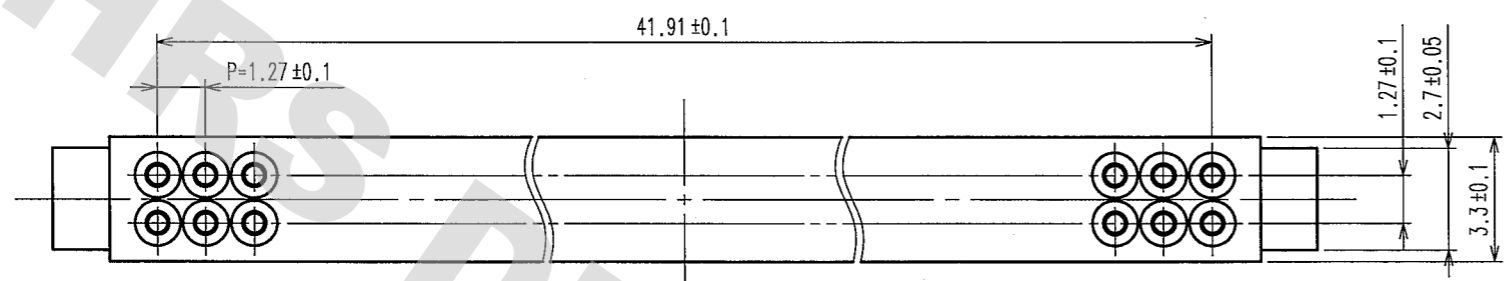
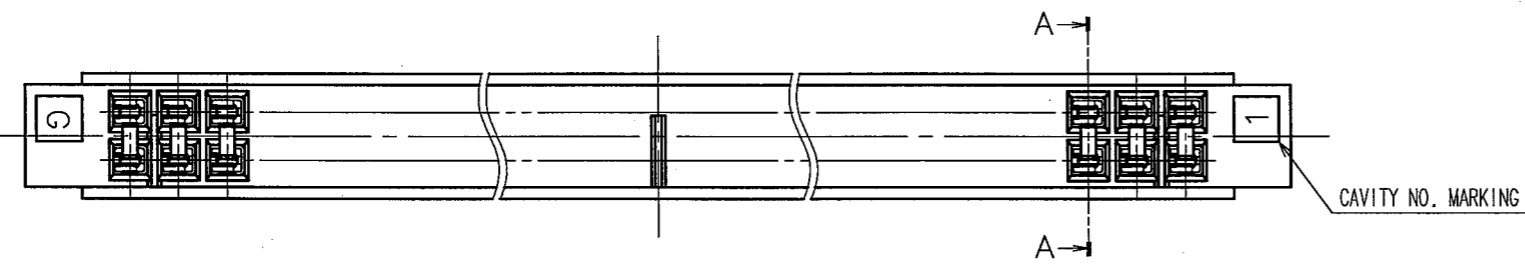


DRAWING FOR REFERENCE: This is subject to change without notice
08/11/2012

COUNT	DESCRIPTION OF REVISIONS	BY	CHKD	DATE	COUNT	DESCRIPTION OF REVISIONS	BY	CHKD	DATE
△					△				
△					△				
△					△				



RECOMMENDED LAND PATTERN DIMENSION OF PWB
(BOTH SURFACE)
(APPLICABLE PWB THICKNESS= 0.4~0.5mm (RECOMMENDED))



2, 3	PHOSPHOR BRONZE	CONTACT AREA: Ni1.5μm + Au0.1μm
		MOUNTING AREA: Ni1.5μm + Au0.03μm
1	PPS	BLACK UL94V-0
NO.	MATERIAL	FINISH, REMARKS

NOTE 1 IF THE PANNEL ON CARD ATTACHED THIS CONNECTOR IS METAL, INSULATION SHEET TO BE ATTACHED AT THE INSIDE OF THE PANNEL NOT TO TOUCH WITH CONTACT.

CODE NO. (OLD) CL	DRAWN H. SAITOU 05.08.26	DESIGNED H. SAITOU 05.08.26	CHECKED <i>J. Tomikida</i> 05.08.30	APPROVED <i>K. Hayama</i> 05.08.30	RELEASED ..
SCALE 5 : 1 UNITS mm	DRAWING NO. EDC3-150303-01		PART NO. IC1HA-68RD-1.27SH(51)		
	HIROSE ELECTRIC CO., LTD		CODE NO. CL640-0044-4-51	1/1	

TO

X-ON Electronics

Largest Supplier of Electrical and Electronic Components

Click to view similar products for [Memory Card Connectors](#) category:

Click to view products by [Hirose](#) manufacturer:

Other Similar products are found below :

[M21-033321-005](#) [6407-249V-25273P](#) [6407-249V-25343P](#) [6426-201-21343](#) [69.920.0553.0](#) [FCN-568P068-G/07-4V](#) [809180410000000](#)
[N7E50-7516PG-20-WF](#) [21920-5](#) [2041353-2](#) [33CFAE-DN](#) [502431-1011](#) [EN2997S61212BN](#) [EN2997SE61212BN](#) [95622-003LF](#) [N7E50-](#)
[U516RB-50-SIN0005](#) [95079-00CALF](#) [84648-056HLF](#) [68-580163-21S](#) [33DVIR-29S12R](#) [125A-78C00](#) [MI20A-50PD-SF-EJL\(71\)](#) [KP10S-SF-](#)
[PEJ\(812\)](#) [504536-0691](#) [504580-0691](#) [CCM03-3109 B LFT](#) [2309923-1](#) [61126-050CAHLF](#) [IC1GA-68PD-1.27DS-EJ\(72\)](#) [GTFP08432B1HR](#)
[G85DT17001P1EU](#) [G85B21611142HHR](#) [GSD090144HR](#) [G85D1140022P1HR](#) [GMCB05801124EU](#) [112K-TAA0-RA1](#) [115S-ACA2](#) [115S-](#)
[ACA3](#) [115S-BS00](#) [115S-BT00](#) [115V-AD00](#) [MCSP-Q1-08-A-SG-T/R](#) [503960-0695](#) [101B-TAA0-R](#) [101D-TAAA-R01](#) [101D-TAAB-R01](#)
[104D-TCA0-R06](#) [104B-TAA0-R](#) [112C-TBAR-R02](#) [114B-40B00-R02](#)