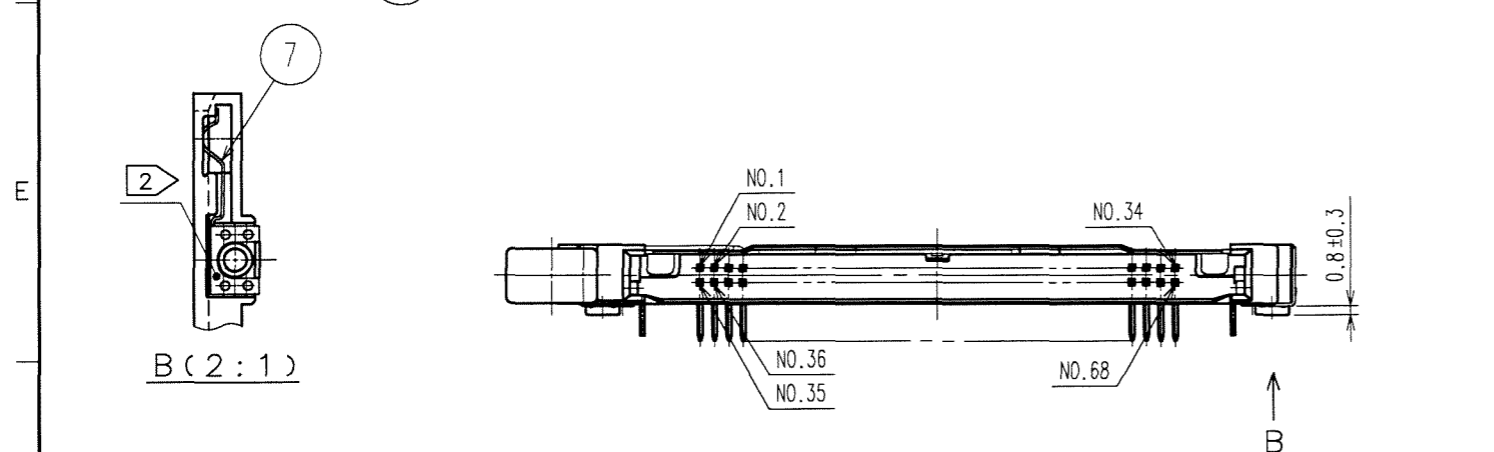
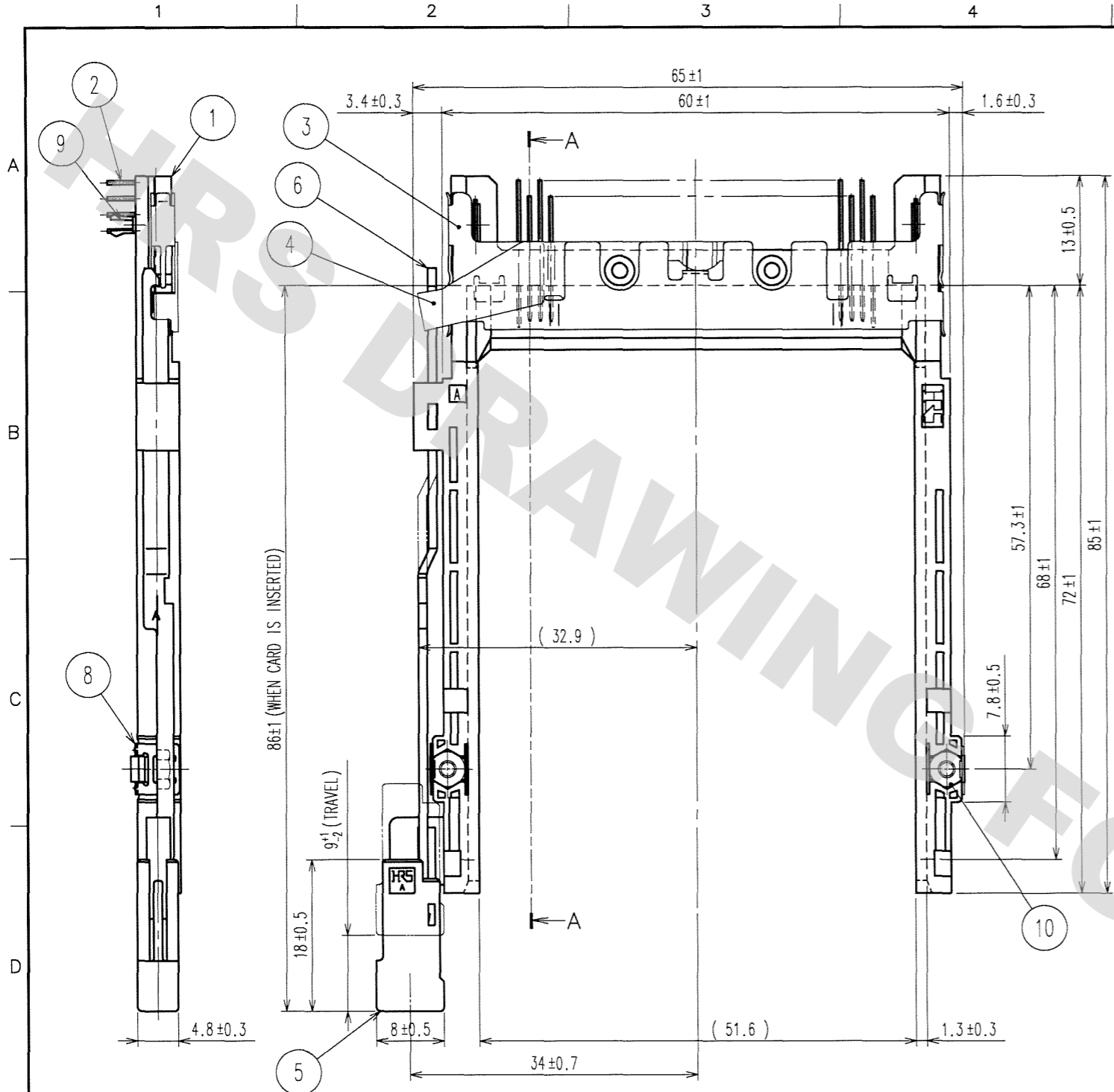


COUNT	DESCRIPTION OF REVISIONS	BY	CHKD	DATE	COUNT	DESCRIPTION OF REVISIONS	BY	CHKD	DATE
△					△				
△					△				
△					△				



NOTES 1. PC BOARD INTERFACE DIMENSION CORRESPONDS TO PC CARD STANDARD.  
 2. FG CONTACT IS CONNECTED TO THE BOARD BY SCREWS THAT HOLD THEM ALL AT THE FG CONTACT MOUNTING AREA. THEREFORE, FASTEN THEM BY THE SCREW (M2x0.4). PLAIN WASHER, SPRING WASHER FROM THE BELOW OF THE BOARD. (SEE FIG.1)

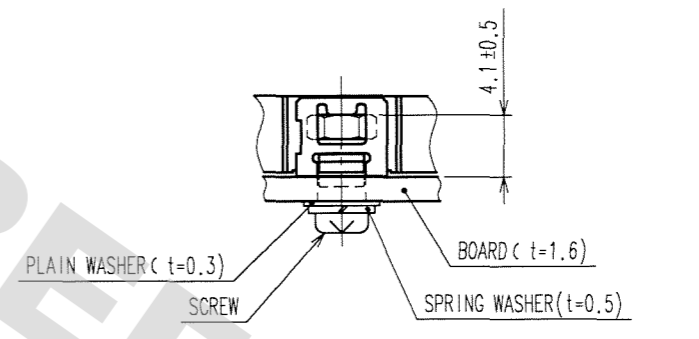
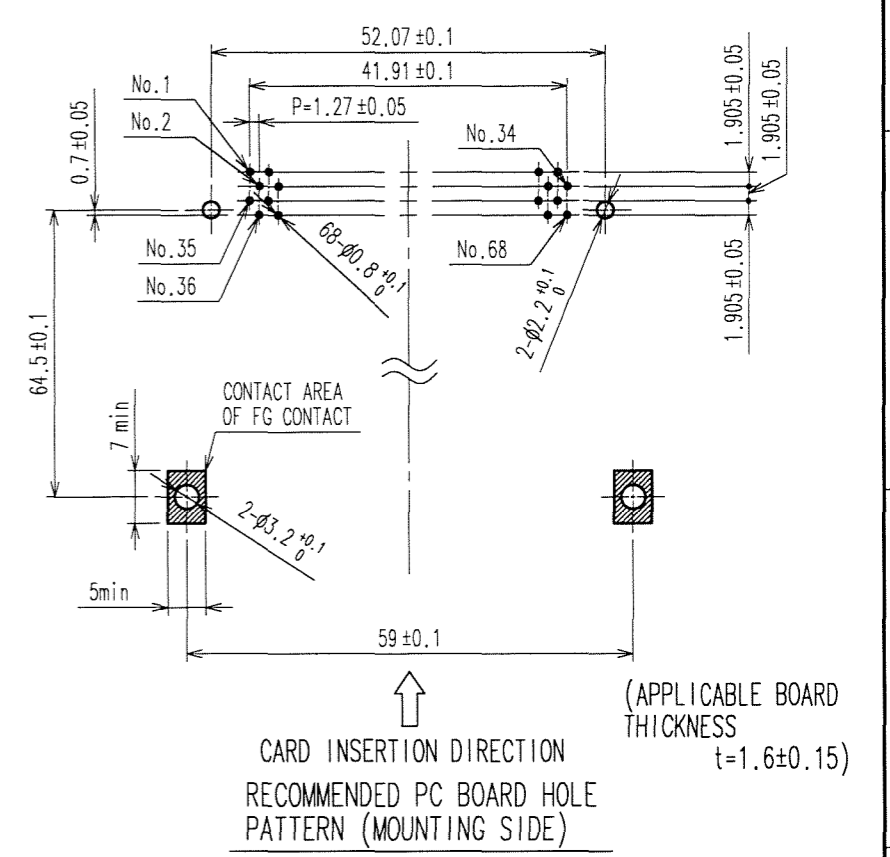
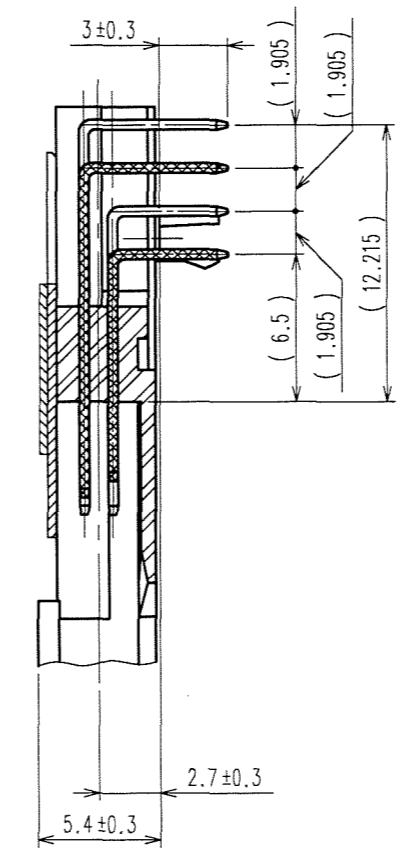


FIG.-1 THREAD TIGHTENING (RECOMMENDED)

NO.	MATERIAL	FINISH, REMARKS	NO.	MATERIAL	FINISH, REMARKS
5	POLYAMIDE	BLACK UL94V-0	10	STEEL	M2x0.4
3,4	SUS		9	PHOSPHOR BRONZE	Ni1μm+Sn1μm
2	BRASS	CONTACT AREA: Ni1.5μm+Au0.2μm DIP AREA: Ni1.5μm+Sn2μm	7,8	PHOSPHOR BRONZE	CONTACT AREA: Ni1μm+Au0.2μm OTHERS: Ni1μm
1	PBT	BLACK UL94V-0	6	SUS	

CODE NO. (OLD)	CL	DRAWN	DESIGNED	CHECKED	APPROVED	RELEASED
		H.Saitou	H.Saitou	<i>[Signature]</i>	<i>[Signature]</i>	
		06.11.20	06.11.20	06.11.20	06.11.20	

DRAWING NO.	PART NO.
EDC3-071628-01	IC7-68PD-1.27DS-EJL(72)
SCALE	UNITS
2:1	mm
CODE NO.	
CL640-0403-5-72	1/1

DRAWING FOR REFERENCE: This is subject to change without notice  
08/11/2012

TO

## X-ON Electronics

Largest Supplier of Electrical and Electronic Components

*Click to view similar products for [Memory Card Connectors](#) category:*

*Click to view products by [Hirose](#) manufacturer:*

Other Similar products are found below :

[M21-033321-005](#) [6407-249V-25273P](#) [6407-249V-25343P](#) [6426-201-21343](#) [69.920.0553.0](#) [FCN-568P068-G/07-4V](#) [809180410000000](#)  
[N7E50-7516PG-20-WF](#) [21920-5](#) [2041353-2](#) [33CFAE-DN](#) [502431-1011](#) [EN2997S61212BN](#) [EN2997SE61212BN](#) [95622-003LF](#) [N7E50-](#)  
[U516RB-50-SIN0005](#) [95079-00CALF](#) [84648-056HLF](#) [68-580163-21S](#) [33DVIR-29S12R](#) [125A-78C00](#) [MI20A-50PD-SF-EJL\(71\)](#) [KP10S-SF-](#)  
[PEJ\(812\)](#) [504536-0691](#) [504580-0691](#) [CCM03-3109 B LFT](#) [2309923-1](#) [61126-050CAHLF](#) [IC1GA-68PD-1.27DS-EJ\(72\)](#) [GTFP08432B1HR](#)  
[G85DT17001P1EU](#) [G85B21611142HHR](#) [GSD090144HR](#) [G85D1140022P1HR](#) [GMCB05801124EU](#) [112K-TAA0-RA1](#) [115S-ACA2](#) [115S-](#)  
[ACA3](#) [115S-BS00](#) [115S-BT00](#) [115V-AD00](#) [MCSP-Q1-08-A-SG-T/R](#) [503960-0695](#) [101B-TAA0-R](#) [101D-TAAA-R01](#) [101D-TAAB-R01](#)  
[104D-TCA0-R06](#) [104B-TAA0-R](#) [112C-TBAR-R02](#) [114B-40B00-R02](#)