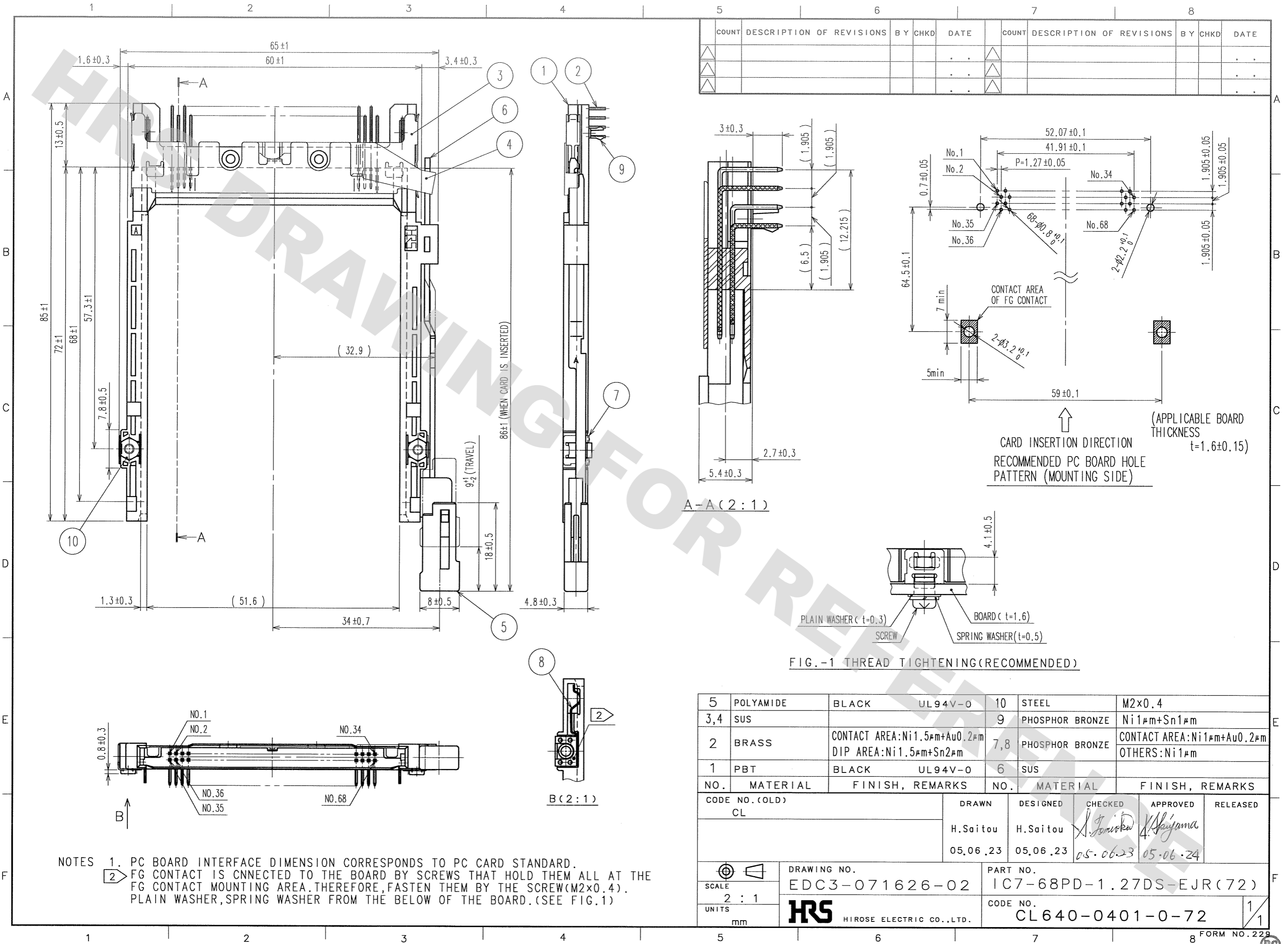


DRAWING FOR REFERENCE: This is subject to change without notice
08/11/2012



COUNT	DESCRIPTION OF REVISIONS	BY	CHKD	DATE	COUNT	DESCRIPTION OF REVISIONS	BY	CHKD	DATE

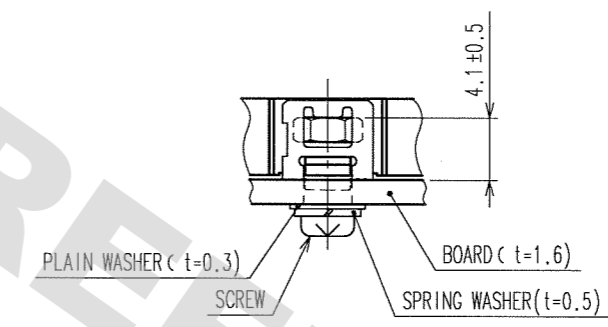
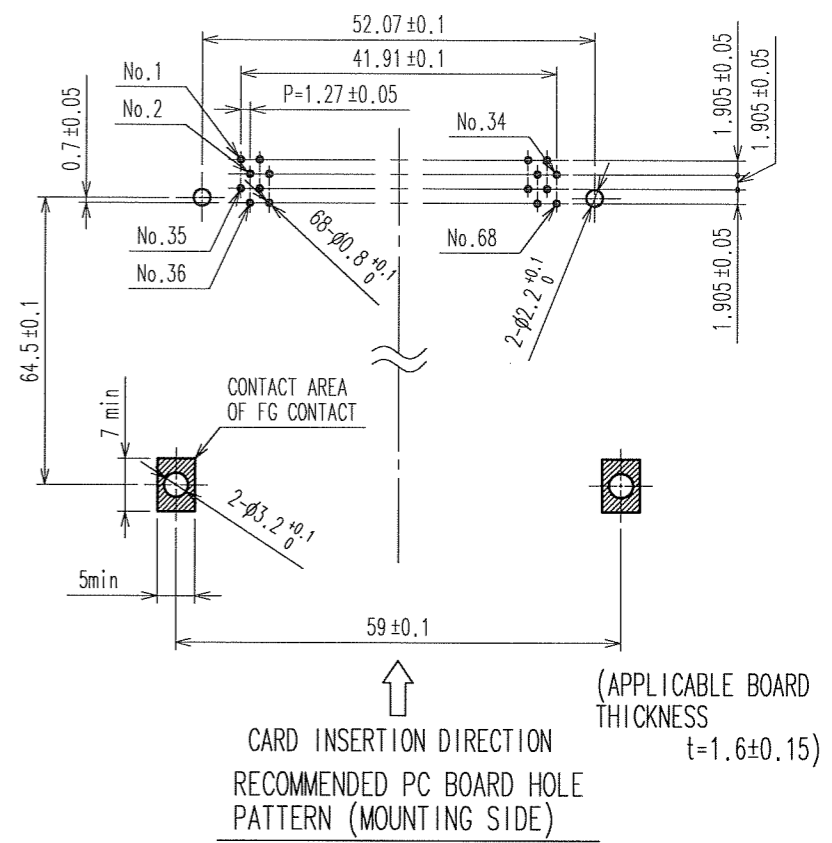
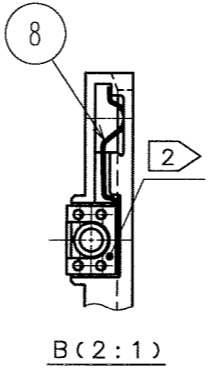
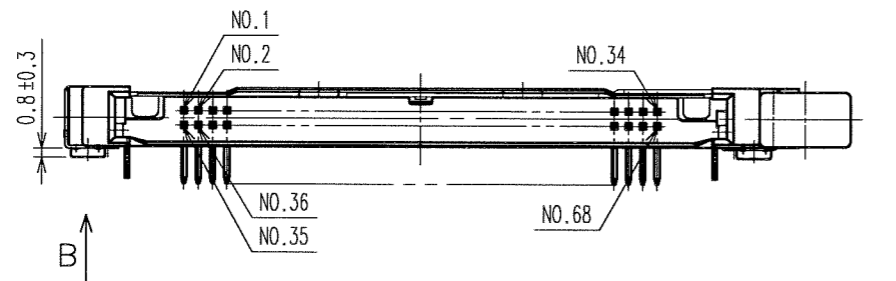


FIG.-1 THREAD TIGHTENING (RECOMMENDED)

5	POLYAMIDE	BLACK	UL94V-0	10	STEEL	M2x0.4	
3,4	SUS			9	PHOSPHOR BRONZE	Ni1µm+Sn1µm	
2	BRASS	CONTACT AREA: Ni1.5µm+Au0.2µm DIP AREA: Ni1.5µm+Sn2µm		7,8	PHOSPHOR BRONZE	CONTACT AREA: Ni1µm+Au0.2µm OTHERS: Ni1µm	
1	PBT	BLACK	UL94V-0	6	SUS		
NO.	MATERIAL	FINISH, REMARKS	NO.	MATERIAL	FINISH, REMARKS		
CODE NO. (OLD)	CL		DRAWN	DESIGNED	CHECKED	APPROVED	RELEASED
			H.Saitou	H.Saitou	<i>S. Tomida</i>	<i>K. Hayama</i>	
			05.06.23	05.06.23	05.06.23	05.06.24	



NOTES
 1. PC BOARD INTERFACE DIMENSION CORRESPONDS TO PC CARD STANDARD.
 2. FG CONTACT IS CONNECTED TO THE BOARD BY SCREWS THAT HOLD THEM ALL AT THE FG CONTACT MOUNTING AREA. THEREFORE, FASTEN THEM BY THE SCREW (M2x0.4). PLAIN WASHER, SPRING WASHER FROM THE BELOW OF THE BOARD. (SEE FIG. 1)

TO
PCK

SCALE	2 : 1	DRAWING NO.	EDC3-071626-02	PART NO.	IC7-68PD-1.27DS-EJR(72)
UNITS	mm	HRS	HIROSE ELECTRIC CO., LTD.	CODE NO.	CL640-0401-0-72

X-ON Electronics

Largest Supplier of Electrical and Electronic Components

Click to view similar products for [Memory Card Connectors](#) category:

Click to view products by [Hirose](#) manufacturer:

Other Similar products are found below :

[M21-033321-005](#) [6407-249V-25273P](#) [6407-249V-25343P](#) [6426-201-21343](#) [69.920.0553.0](#) [FCN-568P068-G/07-4V](#) [809180410000000](#)
[N7E50-7516PG-20-WF](#) [21920-5](#) [2041353-2](#) [33CFAE-DN](#) [502431-1011](#) [EN2997S61212BN](#) [EN2997SE61212BN](#) [95622-003LF](#) [N7E50-](#)
[U516RB-50-SIN0005](#) [95079-00CALF](#) [84648-056HLF](#) [68-580163-21S](#) [33DVIR-29S12R](#) [125A-78C00](#) [MI20A-50PD-SF-EJL\(71\)](#) [KP10S-SF-](#)
[PEJ\(812\)](#) [504536-0691](#) [504580-0691](#) [CCM03-3109 B LFT](#) [2309923-1](#) [61126-050CAHLF](#) [IC1GA-68PD-1.27DS-EJ\(72\)](#) [GTFP08432B1HR](#)
[G85DT17001P1EU](#) [G85B21611142HHR](#) [GSD090144HR](#) [G85D1140022P1HR](#) [GMCB05801124EU](#) [112K-TAA0-RA1](#) [115S-ACA2](#) [115S-](#)
[ACA3](#) [115S-BS00](#) [115S-BT00](#) [115V-AD00](#) [MCSP-Q1-08-A-SG-T/R](#) [503960-0695](#) [101B-TAA0-R](#) [101D-TAAA-R01](#) [101D-TAAB-R01](#)
[104D-TCA0-R06](#) [104B-TAA0-R](#) [112C-TBAR-R02](#) [114B-40B00-R02](#)