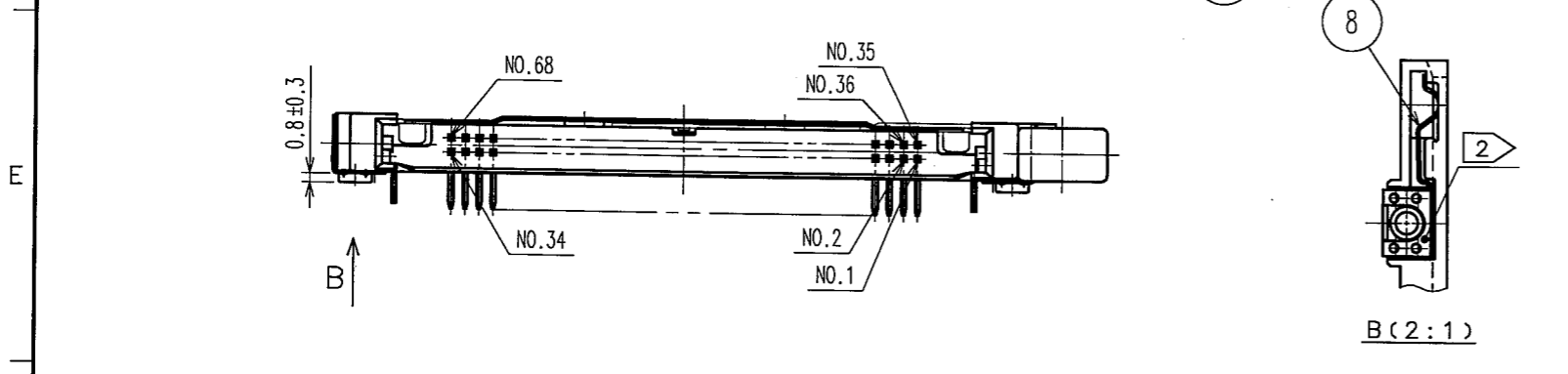
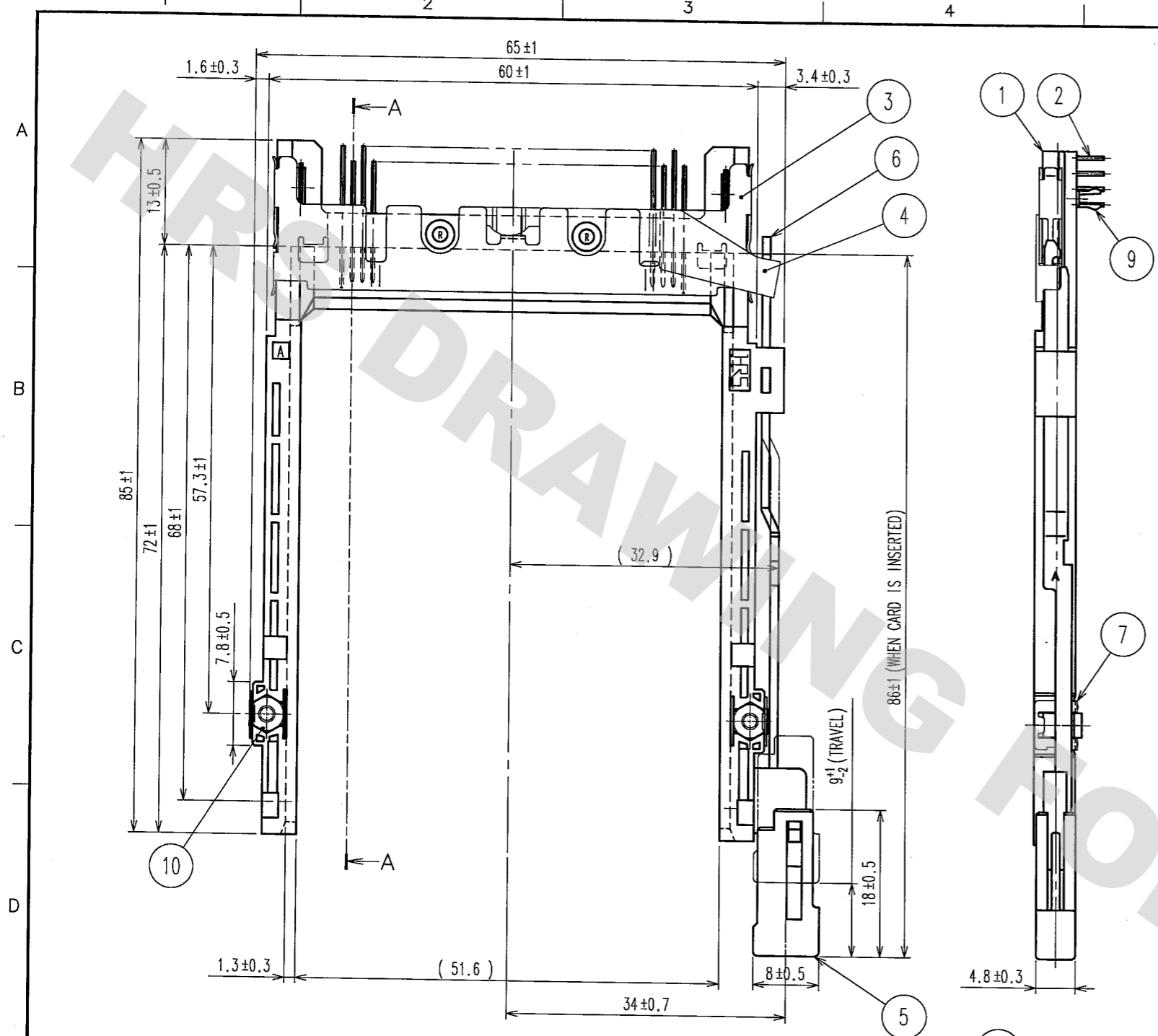


DRAWING FOR REFERENCE: This is subject to change without notice
08/11/2012



COUNT	DESCRIPTION OF REVISIONS	BY	CHKD	DATE	COUNT	DESCRIPTION OF REVISIONS	BY	CHKD	DATE

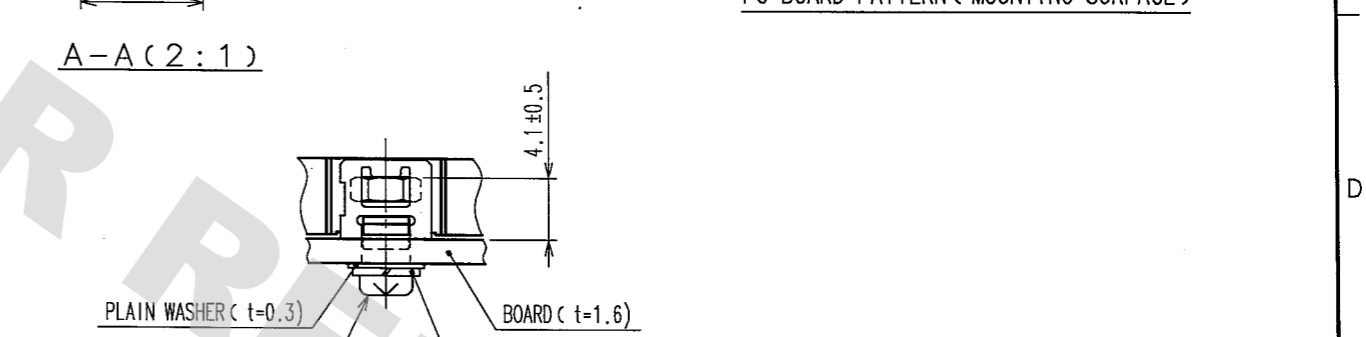
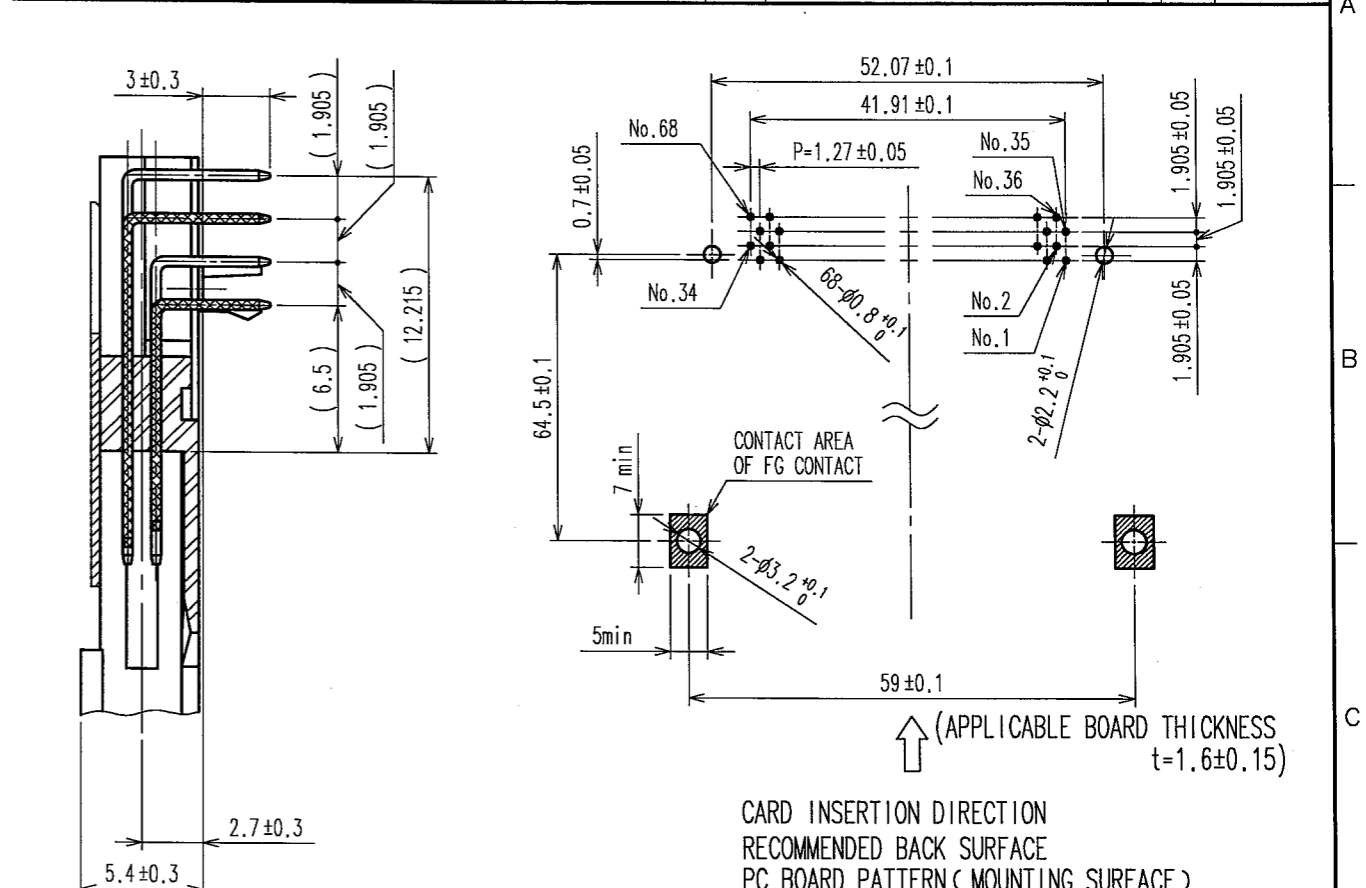


FIG.-1 THREAD TIGHTENING(RECOMMENDED)

NO.	MATERIAL	FINISH, REMARKS	NO.	MATERIAL	FINISH, REMARKS
5	POLYAMIDE	BLACK UL94V-0	10	STEEL	M2×0.4
3, 4	SUS		9	PHOSPHOR BRONZE	Ni1μm+Sn1μm
2	BRASS	CONTACT AREA: Ni1.5μm+Au0.2μm MOUNTING AREA: Ni1.5μm+Sn2μm	7, 8	PHOSPHOR BRONZE	CONTACT AREA: Ni1μm+Au0.2μm OTHER: Ni1μm
1	PBT	BLACK UL94V-0	6	SUS	

NOTES
 1 DIMENSION OF CARD CONNECTION AREA COMPLIES WITH 「PC Card Standard」
 2 FG CONTACT IS CONNECTED TO THE BOARD BY SCREWS THAT HOLD THEM ALL AT THE FG CONTACT MOUNTING AREA. THEREFORE, FASTEN THEM BY THE SCREW(M2×0.4), PLAIN WASHER, SPRING WASHER FROM THE BELOW OF THE BOARD. (SEE FIG.1)
 3 THIS PRODUCT IS A REVERSE TYPE CONNECTOR (REVERSED CARD INSERTION SURFACE) TAKE A CAUTION OF THE CONTACT NO.

CODE NO. (OLD) CL	DRAWN M. OGAWA 05.08.26	DESIGNED H. SAITOU 05.08.26	CHECKED <i>J. Tomisaka</i> 05.08.30	APPROVED <i>K. Akiyama</i> 05.08.30	RELEASED
SCALE FREE	DRAWING NO. EDC3-071627-01		PART NO. IC7-68PDR-1.27DS-EJR(72)		
UNITS mm	HRS HIROSE ELECTRIC CO., LTD		CODE NO. CL640-0402-2-72		

TO

X-ON Electronics

Largest Supplier of Electrical and Electronic Components

Click to view similar products for [Memory Card Connectors](#) category:

Click to view products by [Hirose](#) manufacturer:

Other Similar products are found below :

[M21-033321-005](#) [6407-249V-25273P](#) [6407-249V-25343P](#) [6426-201-21343](#) [69.920.0553.0](#) [FCN-568P068-G/07-4V](#) [809180410000000](#)
[N7E50-7516PG-20-WF](#) [21920-5](#) [2041353-2](#) [33CFAE-DN](#) [502431-1011](#) [EN2997S61212BN](#) [EN2997SE61212BN](#) [95622-003LF](#) [N7E50-](#)
[U516RB-50-SIN0005](#) [95079-00CALF](#) [84648-056HLF](#) [68-580163-21S](#) [33DVIR-29S12R](#) [125A-78C00](#) [MI20A-50PD-SF-EJL\(71\)](#) [KP10S-SF-](#)
[PEJ\(812\)](#) [504536-0691](#) [504580-0691](#) [CCM03-3109 B LFT](#) [2309923-1](#) [61126-050CAHLF](#) [IC1GA-68PD-1.27DS-EJ\(72\)](#) [GTFP08432B1HR](#)
[G85DT17001P1EU](#) [G85B21611142HHR](#) [GSD090144HR](#) [G85D1140022P1HR](#) [GMCB05801124EU](#) [112K-TAA0-RA1](#) [115S-ACA2](#) [115S-](#)
[ACA3](#) [115S-BS00](#) [115S-BT00](#) [115V-AD00](#) [MCSP-Q1-08-A-SG-T/R](#) [503960-0695](#) [101B-TAA0-R](#) [101D-TAAA-R01](#) [101D-TAAB-R01](#)
[104D-TCA0-R06](#) [104B-TAA0-R](#) [112C-TBAR-R02](#) [114B-40B00-R02](#)