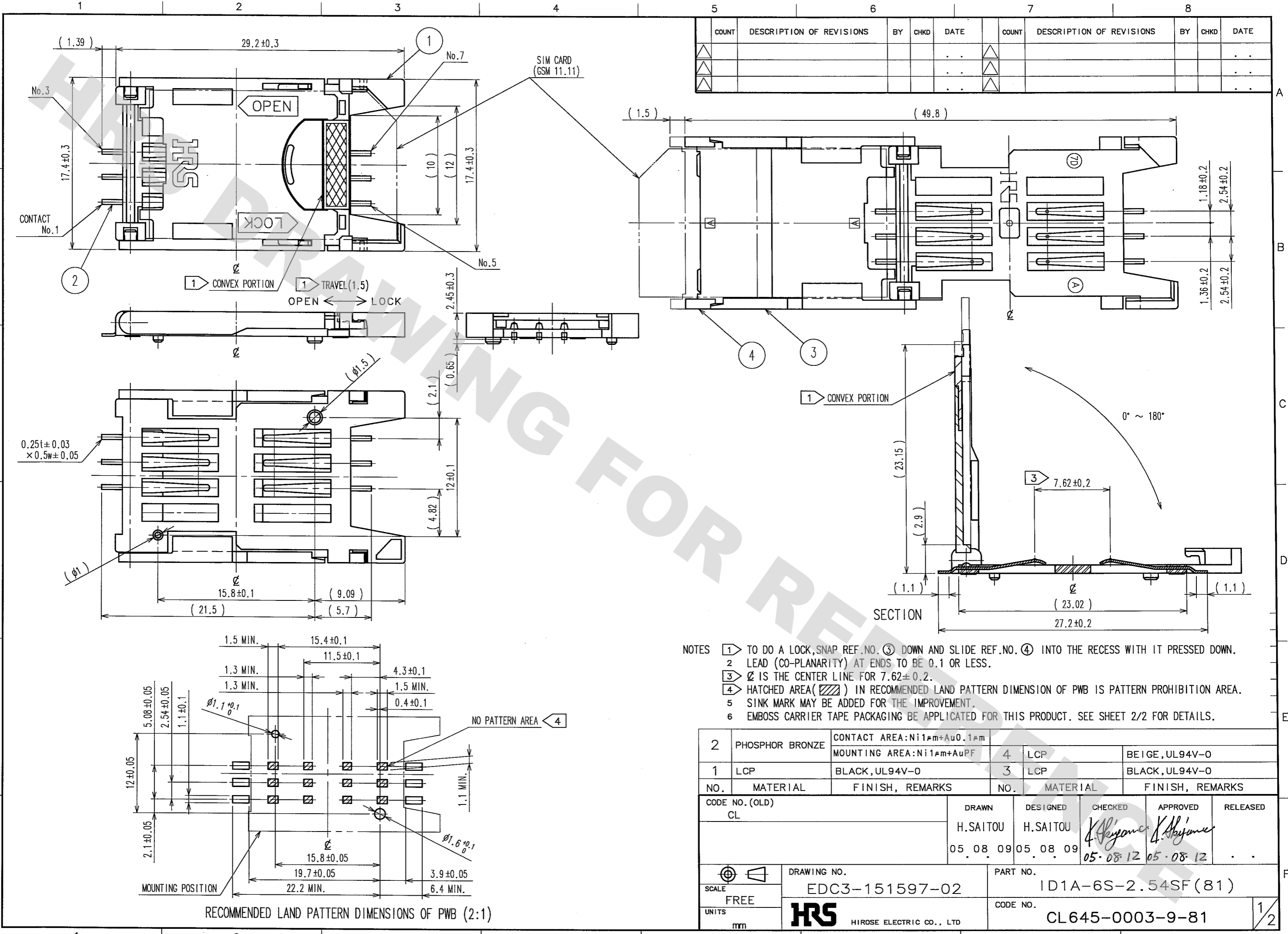


DRAWING FOR REFERENCE: This is subject to change without notice  
08/11/2012

TO
PCK



COUNT	DESCRIPTION OF REVISIONS	BY	CHKD	DATE	COUNT	DESCRIPTION OF REVISIONS	BY	CHKD	DATE

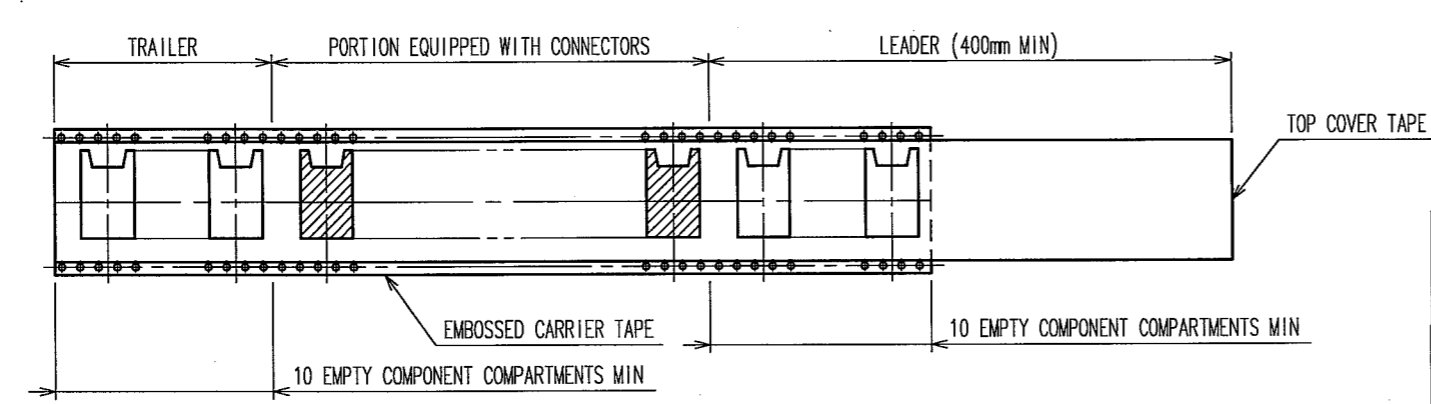
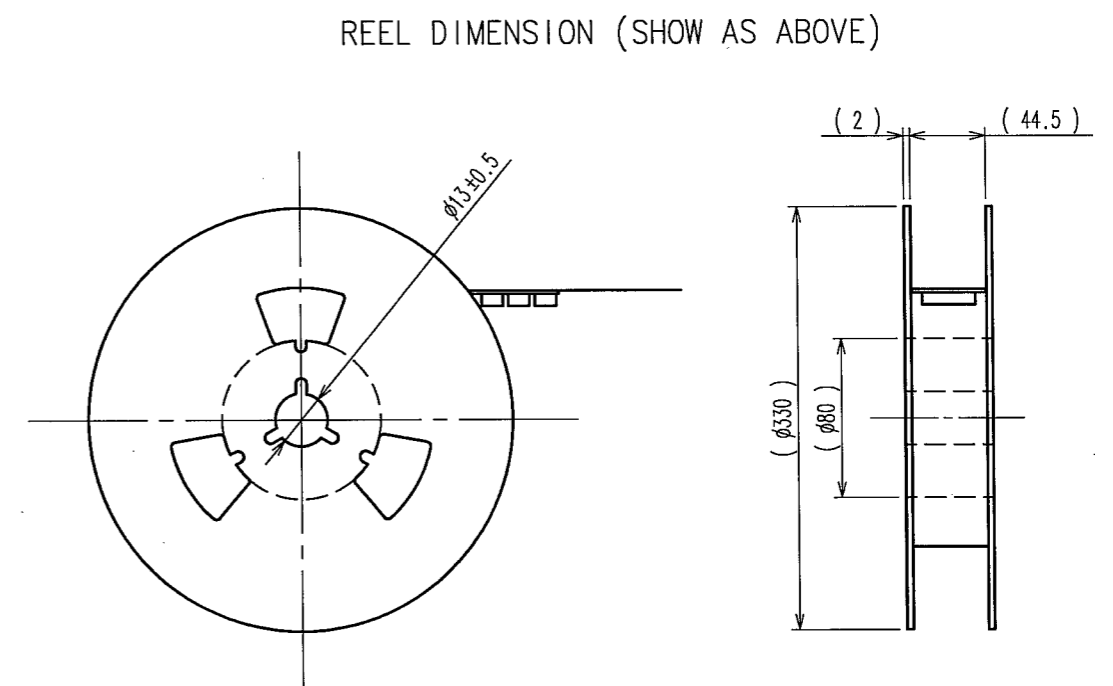
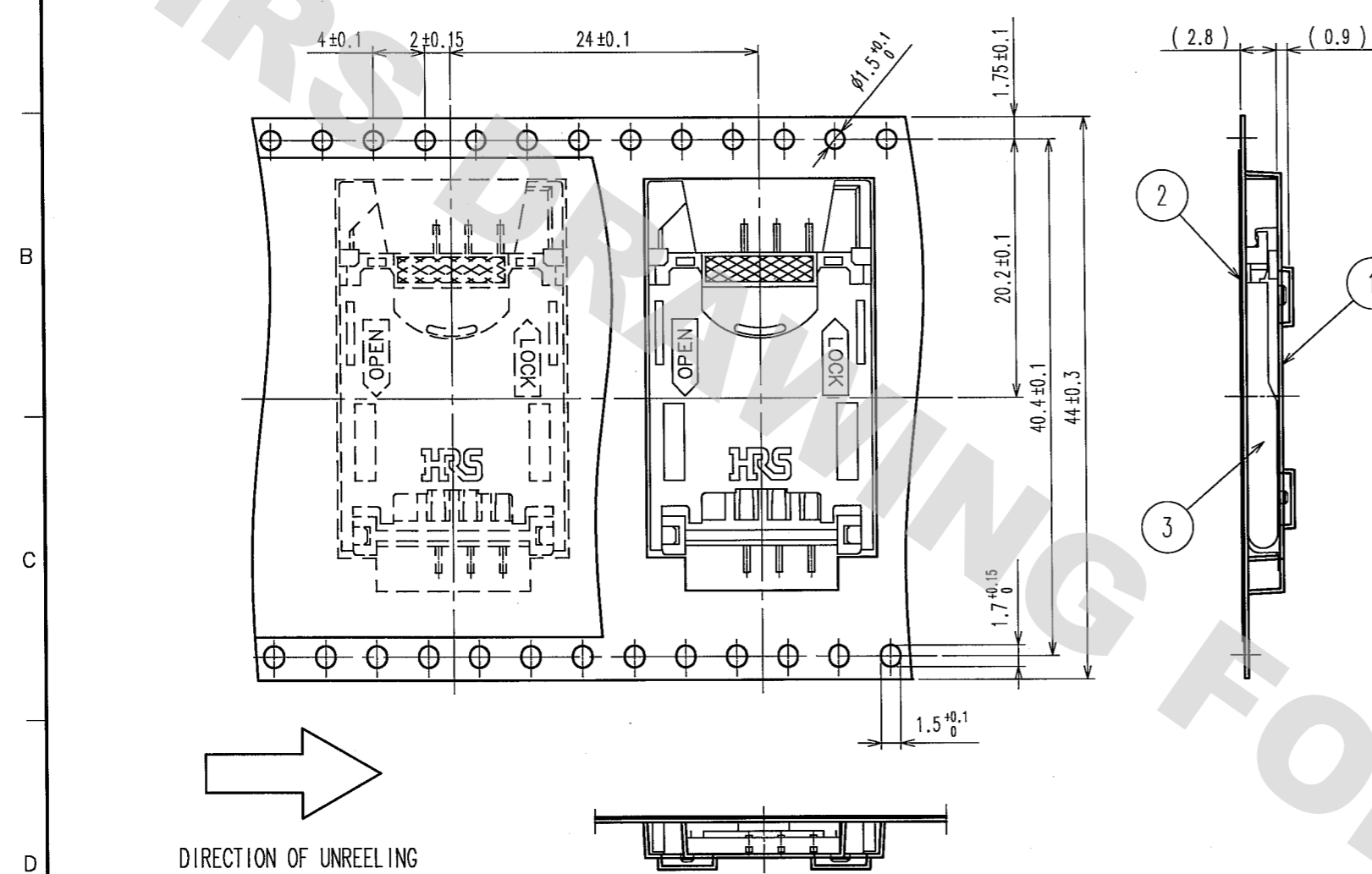
- NOTES
- ① TO DO A LOCK, SNAP REF. NO. ③ DOWN AND SLIDE REF. NO. ④ INTO THE RECESS WITH IT PRESSED DOWN.
  - ② LEAD (CO-PLANARITY) AT ENDS TO BE 0.1 OR LESS.
  - ③  $\varnothing$  IS THE CENTER LINE FOR  $7.62 \pm 0.2$ .
  - ④ HATCHED AREA (▨) IN RECOMMENDED LAND PATTERN DIMENSION OF PWB IS PATTERN PROHIBITION AREA.
  - ⑤ SINK MARK MAY BE ADDED FOR THE IMPROVEMENT.
  - ⑥ EMBOSS CARRIER TAPE PACKAGING BE APPLICATED FOR THIS PRODUCT. SEE SHEET 2/2 FOR DETAILS.

2	PHOSPHOR BRONZE	CONTACT AREA: Ni1 $\mu$ m+Au0.1 $\mu$ m MOUNTING AREA: Ni1 $\mu$ m+AuPF	4	LCP	BEIGE, UL94V-0
1	LCP	BLACK, UL94V-0	3	LCP	BLACK, UL94V-0
NO.	MATERIAL	FINISH, REMARKS	NO.	MATERIAL	FINISH, REMARKS
CODE NO. (OLD) CL		DRAWN H. SAITOU	DESIGNED H. SAITOU	CHECKED <i>K. Hayama</i>	APPROVED <i>K. Hayama</i>
		05.08.09	05.08.09	05.08.12	05.08.12
SCALE FREE		DRAWING NO. EDC3-151597-02		PART NO. ID1A-6S-2.54SF(81)	
UNITS mm		HIROSE ELECTRIC CO., LTD		CODE NO. CL645-0003-9-81	
					1/2

RECOMMENDED LAND PATTERN DIMENSIONS OF PWB (2:1)

DRAWING FOR REFERENCE: This is subject to change without notice  
08/11/2012

COUNT	DESCRIPTION OF REVISIONS	BY	CHKD	DATE	COUNT	DESCRIPTION OF REVISIONS	BY	CHKD	DATE



NOTES 1 THE DIMENSION IN PARENTHESES ARE FOR REFERENCE.  
2 1REEL : 500 SOCKETS.

2	POLYESTER						
1	PS			3	(SOCKET)		
NO.	MATERIAL	FINISH, REMARKS	NO.	MATERIAL	FINISH, REMARKS		
CODE NO. (OLD)	CL		DRAWN	DESIGNED	CHECKED	APPROVED	RELEASED
			H.SAITOU	H.SAITOU	<i>K. Hayama</i>	<i>K. Hayama</i>	
			05.08.09	05.08.09	05.08.12	05.08.12	
DRAWING FOR PACKING			DRAWING NO. EDC3-151597-02		PART NO. ID1A-6S-2.54SF(81)		
SCALE FREE			UNITS mm		CODE NO. CL645-0003-9-81		
HRS HIROSE ELECTRIC CO., LTD					2		

TO
PCK

## X-ON Electronics

Largest Supplier of Electrical and Electronic Components

*Click to view similar products for [Memory Card Connectors](#) category:*

*Click to view products by [Hirose](#) manufacturer:*

Other Similar products are found below :

[M21-033321-005](#) [6407-249V-25273P](#) [6407-249V-25343P](#) [6426-201-21343](#) [69.920.0553.0](#) [FCN-568P068-G/07-4V](#) [809180410000000](#)  
[N7E50-7516PG-20-WF](#) [21920-5](#) [2041353-2](#) [33CFAE-DN](#) [502431-1011](#) [EN2997S61212BN](#) [EN2997SE61212BN](#) [95622-003LF](#) [N7E50-](#)  
[U516RB-50-SIN0005](#) [95079-00CALF](#) [84648-056HLF](#) [68-580163-21S](#) [33DVIR-29S12R](#) [125A-78C00](#) [MI20A-50PD-SF-EJL\(71\)](#) [KP10S-SF-](#)  
[PEJ\(812\)](#) [504536-0691](#) [504580-0691](#) [CCM03-3109 B LFT](#) [2309923-1](#) [61126-050CAHLF](#) [IC1GA-68PD-1.27DS-EJ\(72\)](#) [GTFP08432B1HR](#)  
[G85DT17001P1EU](#) [G85B21611142HHR](#) [GSD090144HR](#) [G85D1140022P1HR](#) [GMCB05801124EU](#) [112K-TAA0-RA1](#) [115S-ACA2](#) [115S-](#)  
[ACA3](#) [115S-BS00](#) [115S-BT00](#) [115V-AD00](#) [MCSP-Q1-08-A-SG-T/R](#) [503960-0695](#) [101B-TAA0-R](#) [101D-TAAA-R01](#) [101D-TAAB-R01](#)  
[104D-TCA0-R06](#) [104B-TAA0-R](#) [112C-TBAR-R02](#) [114B-40B00-R02](#)