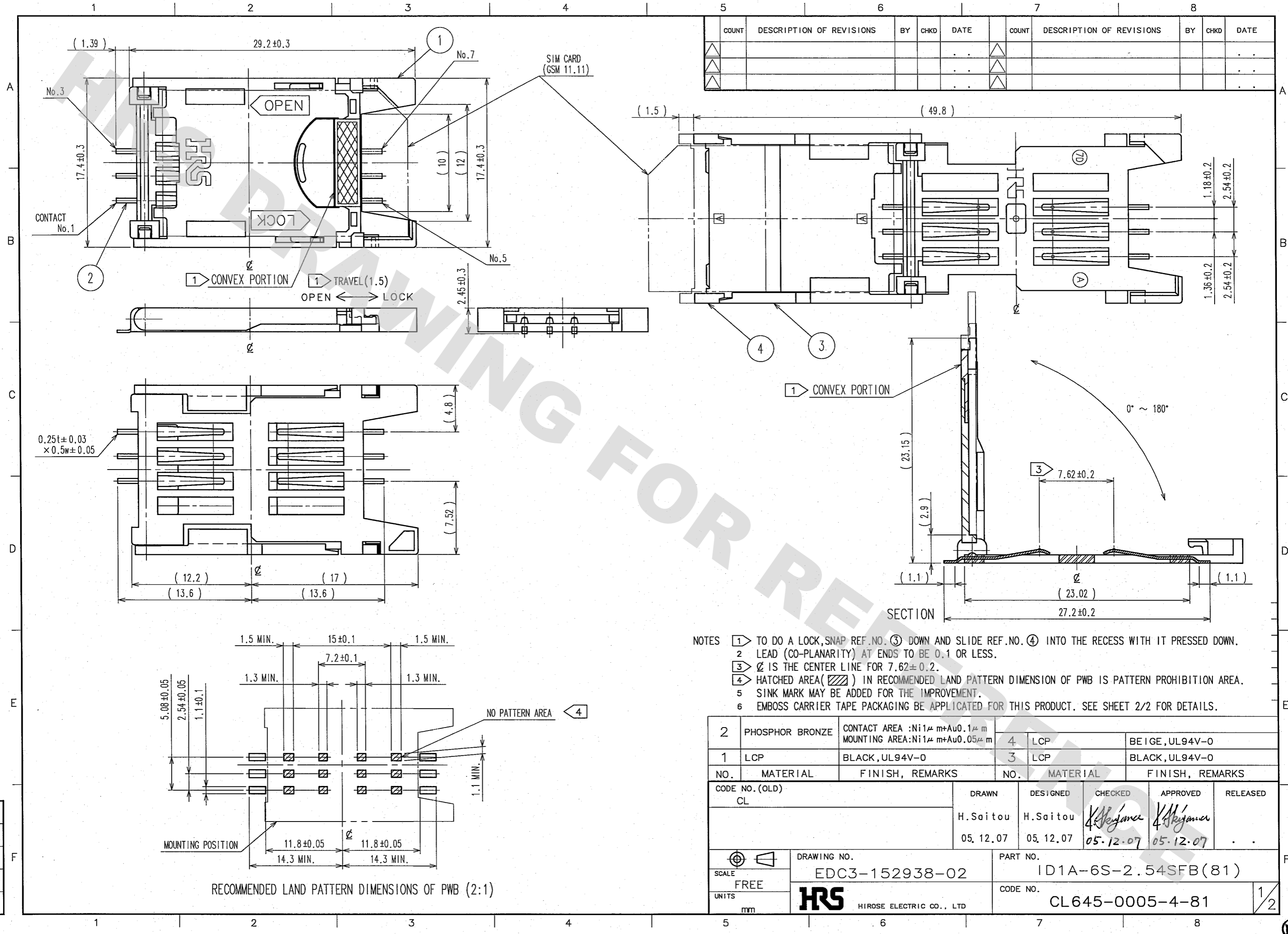


DRAWING FOR REFERENCE: This is subject to change without notice
08/11/2012



COUNT	DESCRIPTION OF REVISIONS	BY	CHKD	DATE	COUNT	DESCRIPTION OF REVISIONS	BY	CHKD	DATE

- NOTES
- ① TO DO A LOCK, SNAP REF. NO. ③ DOWN AND SLIDE REF. NO. ④ INTO THE RECESS WITH IT PRESSED DOWN.
 - ② LEAD (CO-PLANARITY) AT ENDS TO BE 0.1 OR LESS.
 - ③ ϕ IS THE CENTER LINE FOR 7.62 ± 0.2 .
 - ④ HATCHED AREA (▨) IN RECOMMENDED LAND PATTERN DIMENSION OF PWB IS PATTERN PROHIBITION AREA.
 - ⑤ SINK MARK MAY BE ADDED FOR THE IMPROVEMENT.
 - ⑥ EMBOSS CARRIER TAPE PACKAGING BE APPLICATED FOR THIS PRODUCT. SEE SHEET 2/2 FOR DETAILS.

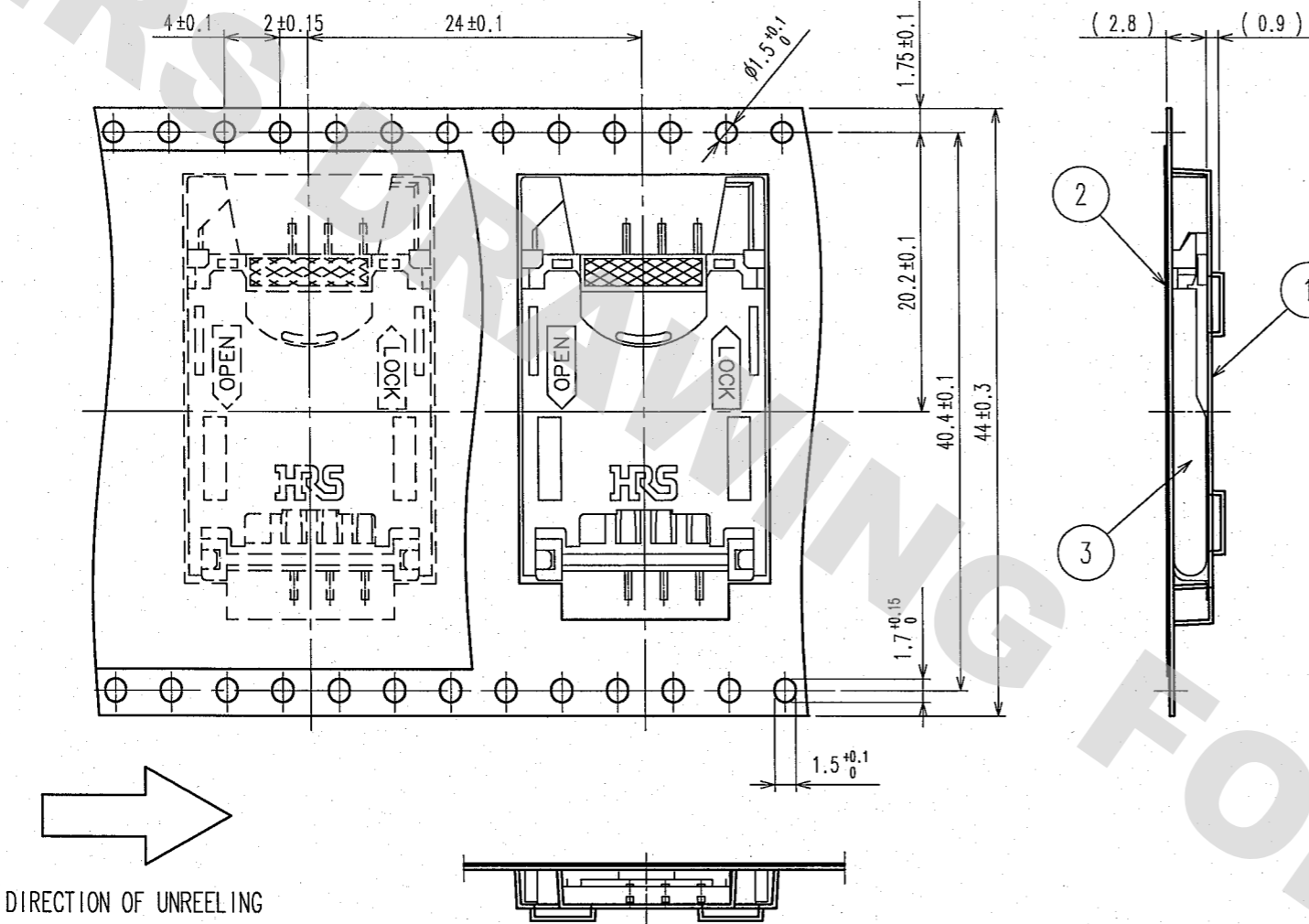
2	PHOSPHOR BRONZE	CONTACT AREA : Ni1 μ m+Au0.1 μ m MOUNTING AREA: Ni1 μ m+Au0.05 μ m	4	LCP	BEIGE, UL94V-0		
1	LCP	BLACK, UL94V-0	3	LCP	BLACK, UL94V-0		
NO.	MATERIAL	FINISH, REMARKS	NO.	MATERIAL	FINISH, REMARKS		
CODE NO. (OLD) CL			DRAWN	DESIGNED	CHECKED	APPROVED	RELEASED
			H. Saitou	H. Saitou	<i>K. Kojima</i>	<i>K. Kojima</i>	
			05.12.07	05.12.07	05.12.07	05.12.07	
DRAWING NO. EDC3-152938-02			PART NO. ID1A-6S-2.54SFB(81)				
SCALE FREE			CODE NO. CL645-0005-4-81				
UNITS mm			HRS HIROSE ELECTRIC CO., LTD				

TO
PCK

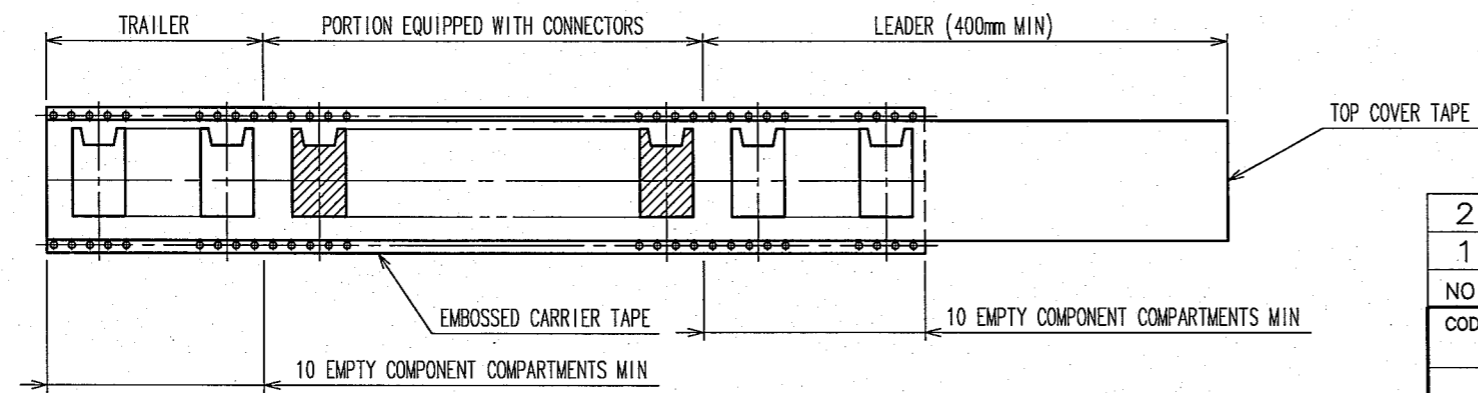
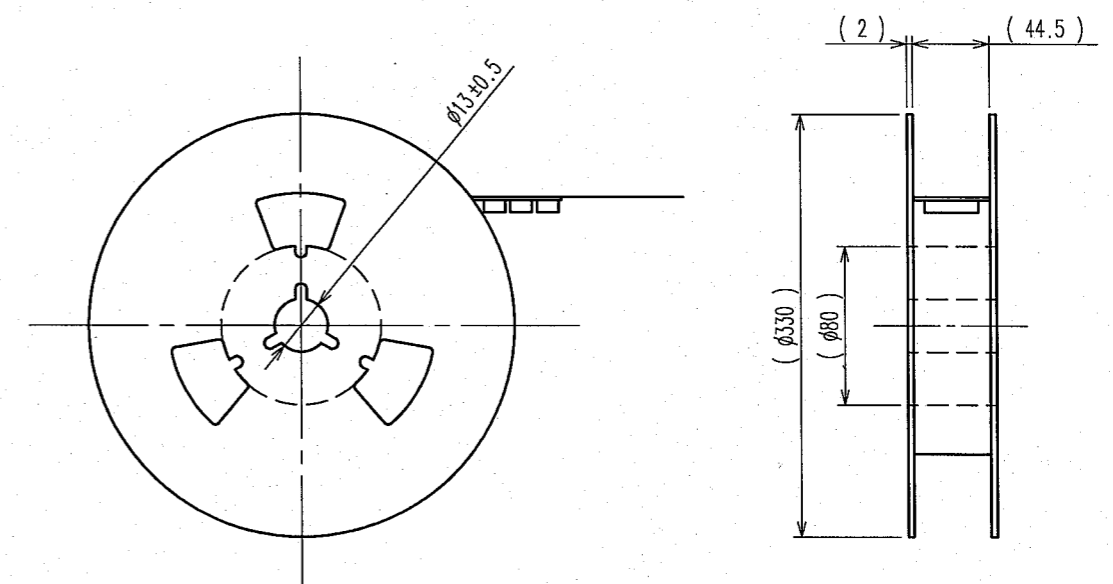
DRAWING FOR REFERENCE: This is subject to change without notice
08/11/2012

TO
PCK

COUNT	DESCRIPTION OF REVISIONS	BY	CHKD	DATE	COUNT	DESCRIPTION OF REVISIONS	BY	CHKD	DATE



REEL DIMENSION (SHOW AS ABOVE)



NOTES 1 THE DIMENSION IN PARENTHESES ARE FOR REFERENCE.
2 1REEL : 500 SOCKETS.

2	POLYESTER		3	(SOCKET)	
1	PS				
NO.	MATERIAL	FINISH, REMARKS	NO.	MATERIAL	FINISH, REMARKS
CODE NO. (OLD) CL			DRAWN	DESIGNED	CHECKED
DRAWING FOR PACKING			H.Saitou	H.Saitou	K. Hayama
			05.12.07	05.12.07	05.12.07
DRAWING NO. EDC3-152938-02			PART NO. ID1A-6S-2.54SFB(81)		
SCALE FREE			CODE NO. CL645-0005-4-81		
UNITS mm			HRS HIROSE ELECTRIC CO., LTD		
					2/2



X-ON Electronics

Largest Supplier of Electrical and Electronic Components

Click to view similar products for [Memory Card Connectors](#) category:

Click to view products by [Hirose](#) manufacturer:

Other Similar products are found below :

[M21-033321-005](#) [6407-249V-25273P](#) [6407-249V-25343P](#) [6426-201-21343](#) [69.920.0553.0](#) [FCN-568P068-G/07-4V](#) [809180410000000](#)
[N7E50-7516PG-20-WF](#) [21920-5](#) [2041353-2](#) [33CFAE-DN](#) [502431-1011](#) [EN2997S61212BN](#) [EN2997SE61212BN](#) [95622-003LF](#) [N7E50-](#)
[U516RB-50-SIN0005](#) [95079-00CALF](#) [84648-056HLF](#) [68-580163-21S](#) [33DVIR-29S12R](#) [125A-78C00](#) [MI20A-50PD-SF-EJL\(71\)](#) [KP10S-SF-](#)
[PEJ\(812\)](#) [504536-0691](#) [504580-0691](#) [CCM03-3109 B LFT](#) [2309923-1](#) [61126-050CAHLF](#) [IC1GA-68PD-1.27DS-EJ\(72\)](#) [GTFP08432B1HR](#)
[G85DT17001P1EU](#) [G85B21611142HHR](#) [GSD090144HR](#) [G85D1140022P1HR](#) [GMCB05801124EU](#) [112K-TAA0-RA1](#) [115S-ACA2](#) [115S-](#)
[ACA3](#) [115S-BS00](#) [115S-BT00](#) [115V-AD00](#) [MCSP-Q1-08-A-SG-T/R](#) [503960-0695](#) [101B-TAA0-R](#) [101D-TAAA-R01](#) [101D-TAAB-R01](#)
[104D-TCA0-R06](#) [104B-TAA0-R](#) [112C-TBAR-R02](#) [114B-40B00-R02](#)