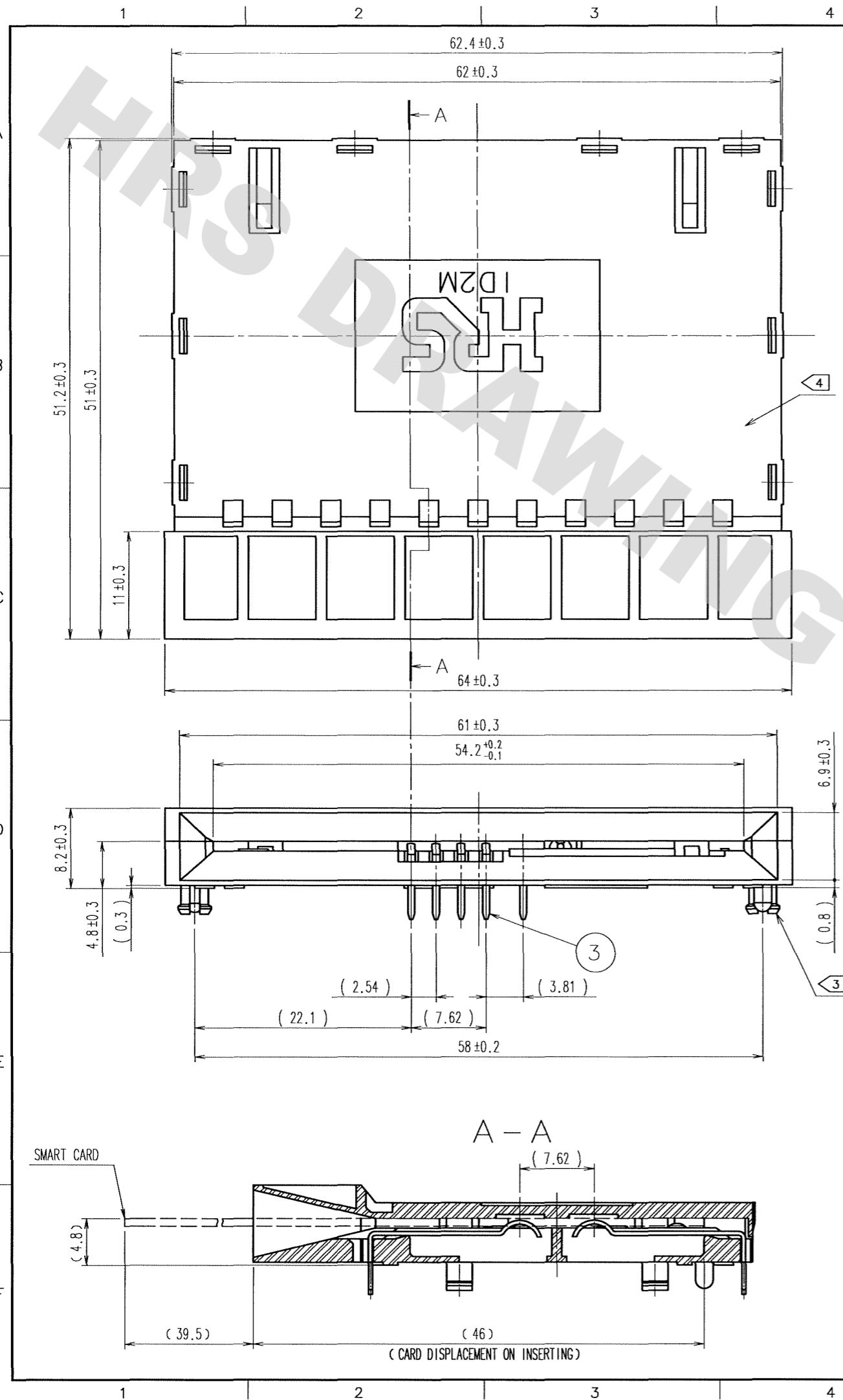
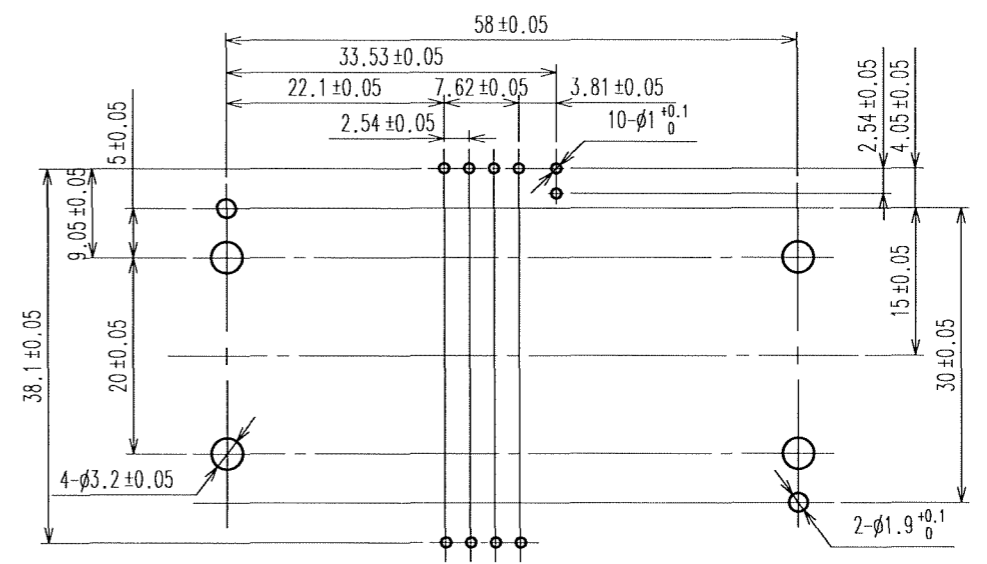


DRAWING FOR REFERENCE: This is subject to change without notice
08/11/2012

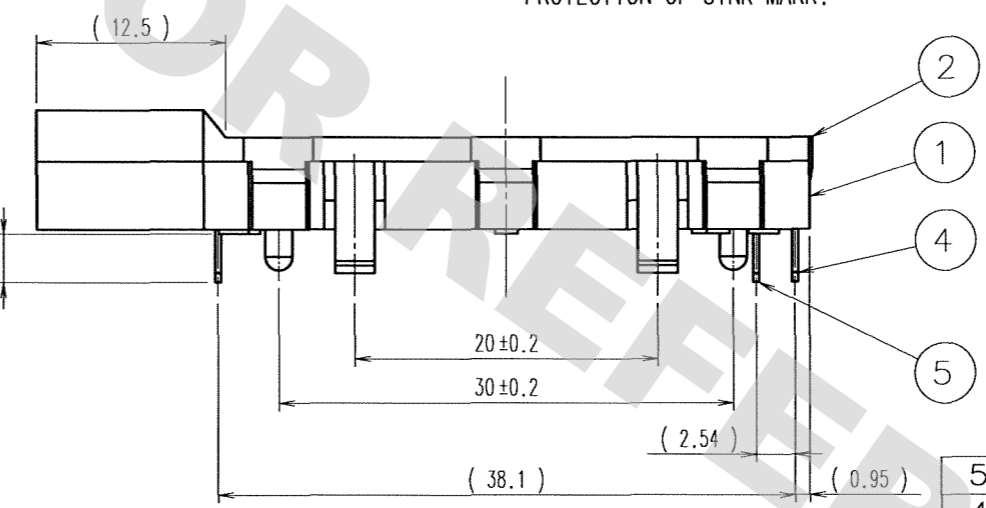


COUNT	DESCRIPTION OF REVISIONS	BY	CHKD	DATE	COUNT	DESCRIPTION OF REVISIONS	BY	CHKD	DATE

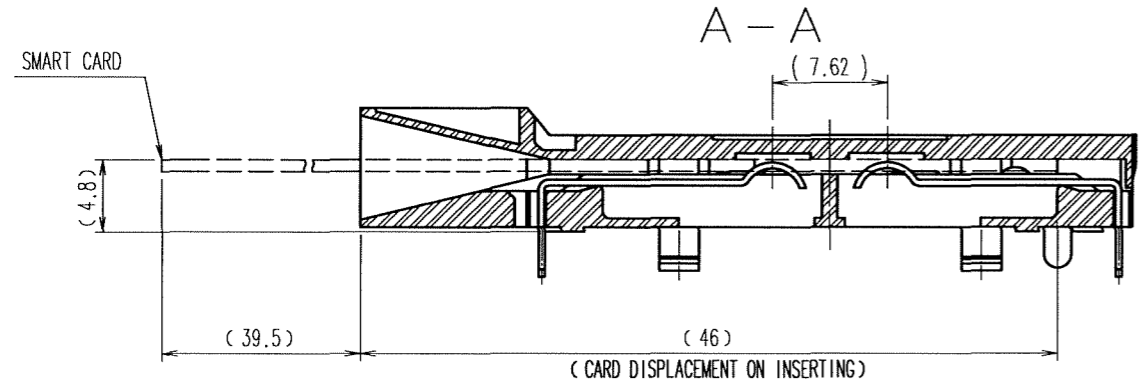
P.C.B LAYOUT (Free)



- NOTE
- 1 THIS CONNECTOR IS APPLICABLE FOR SMART CARD(ISO-7810).
 - 2 THIS PART IS APPLIED DETECTING SWITCH OF SMART CARD AND THE POSITION WHERE THE CARD APPROPRIATELY MATED IS OFF SETTING.
 - 3 (4X)BOSSES ON BOTTOM FACE ARE APPLICABLE FOR THE BOARD, THICKNESS 1.6mm.
 - 4 THE PORTIONS SHOWN OTHER THAN OPENING END AND SUNK HRS MARKING TO BE MATTE FINISH.
 - 5 HOLE AND/OR CUT OUT NOT EFFECTING ON CHARACTERISTICS MAY BE APPLIED FOR THE PROTECTION OF SINK MARK.



NO.	MATERIAL	FINISH, REMARKS
5	BRASS	Ni2μ m+Au0.2μ m
4	PHOSPHOR BRONZE	Ni2μ m+Au0.2μ m
3	PHOSPHOR BRONZE	CONTACT AREA: Ni1.5μ m+Au0.2μ m OTHERS: Ni1.5μ m+Sn2μ m
1,2	PBT-M	BLACK UL94V-0



CODE NO. (OLD) CL	DRAWN H.Saitou 05.11.14	DESIGNED H.Saitou 05.11.14	CHECKED K. Akijama 05.11.15	APPROVED K. Akijama 05.11.15	RELEASED
SCALE 2 : 1 UNITS mm	DRAWING NO. EDC3-151601-01		PART NO. ID2M-8S-2.54DS(72)		
	DRAWING NO. HRS HIROSE ELECTRIC CO., LTD		CODE NO. CL645-0151-6-72		

TO
PCK

X-ON Electronics

Largest Supplier of Electrical and Electronic Components

Click to view similar products for [Memory Card Connectors](#) category:

Click to view products by [Hirose](#) manufacturer:

Other Similar products are found below :

[M21-033321-005](#) [6407-249V-25273P](#) [6407-249V-25343P](#) [6426-201-21343](#) [69.920.0553.0](#) [FCN-568P068-G/07-4V](#) [809180410000000](#)
[N7E50-7516PG-20-WF](#) [21920-5](#) [2041353-2](#) [33CFAE-DN](#) [502431-1011](#) [EN2997S61212BN](#) [EN2997SE61212BN](#) [95622-003LF](#) [N7E50-](#)
[U516RB-50-SIN0005](#) [95079-00CALF](#) [84648-056HLF](#) [68-580163-21S](#) [33DVIR-29S12R](#) [125A-78C00](#) [MI20A-50PD-SF-EJL\(71\)](#) [KP10S-SF-](#)
[PEJ\(812\)](#) [504536-0691](#) [504580-0691](#) [CCM03-3109 B LFT](#) [2309923-1](#) [61126-050CAHLF](#) [IC1GA-68PD-1.27DS-EJ\(72\)](#) [GTFP08432B1HR](#)
[G85DT17001P1EU](#) [G85B21611142HHR](#) [GSD090144HR](#) [G85D1140022P1HR](#) [GMCB05801124EU](#) [G85C11101152HHR](#)
[G85B231021B1HR](#) [G85D1160022HHR](#) [112K-TAA0-RA1](#) [115S-ACA2](#) [115S-ACA3](#) [115S-BS00](#) [115S-BT00](#) [115V-AD00](#) [MCSP-Q1-08-A-](#)
[SG-T/R](#) [503960-0695](#) [101B-TAA0-R](#) [101D-TAAA-R01](#) [101D-TAAB-R01](#) [104D-TCA0-R06](#)