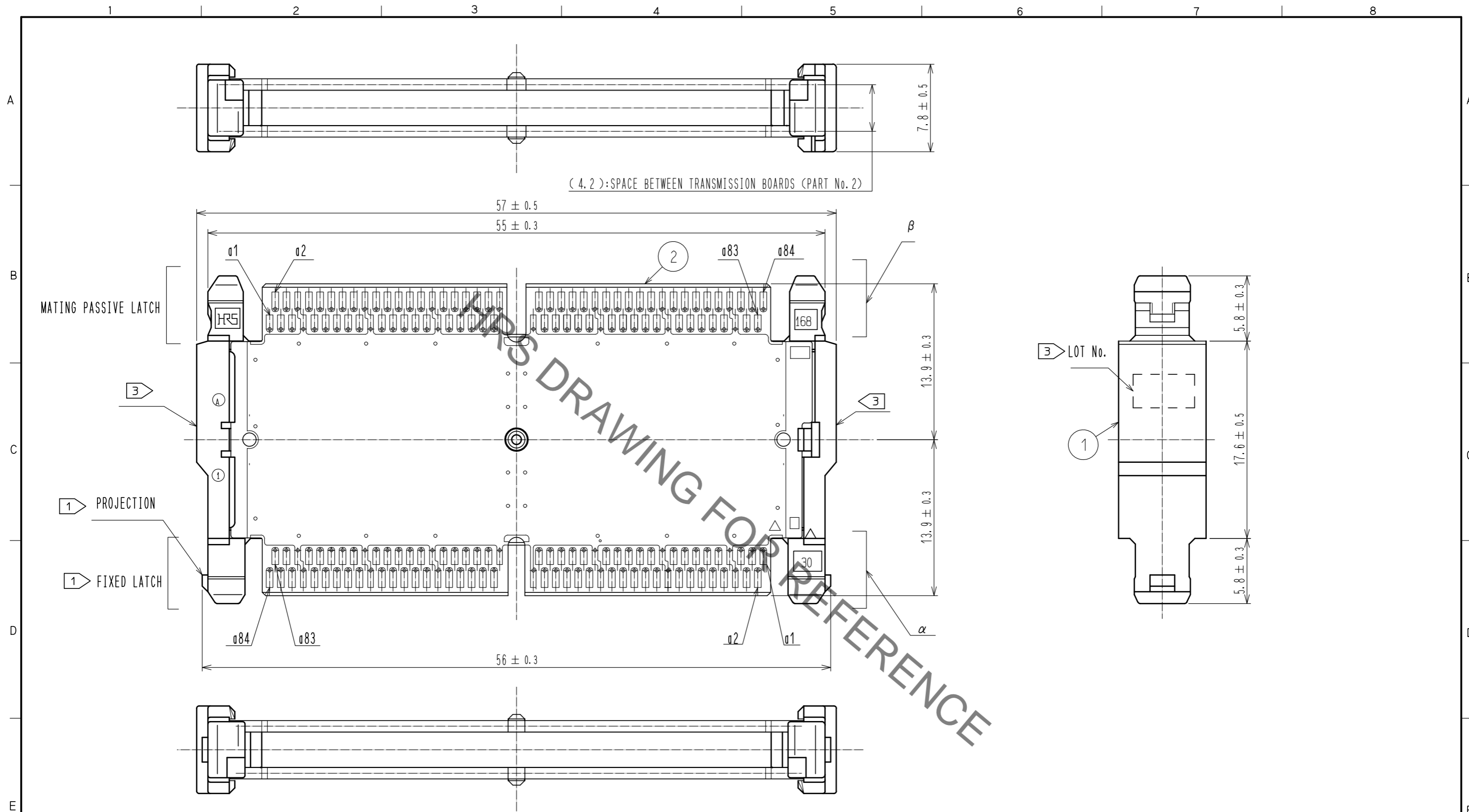


Jun.1.2019 Copyright 2019 HIROSE ELECTRIC CO., LTD. All Rights Reserved.
 In case of consideration for using Automotive equipment / device which demand high reliability, kindly contact our sales window correspondents.



- NOTE.
- 1 ONCE FIXING PART IS MATED WITH THE RECEPTACLE: IT1-168S-SV(**), IT IS NOT DETACHABLE, BECAUSE THE RECEPTACLE CATCHES ON THE PROJECTION.
 - 2 THE INDICATED BOARD A AND B SHALL BE FASTENED TO THE ADDITIONAL REINFORCEMENTS TO PREVENT THE STRESS ON IT1-168S-SV(**) SOLDER JOINTS.
 - 3 LOT No. SHALL BE MARKED ON ONE OF THE TWO INDICATED POSITIONS.
 - 4 PIN ASSIGNMENT IS SHOWN IN THE SHEET 2.
 5. THE DIMENSION IN () : PARENTHESES INDICATES THE NOMINAL VALUE , AND THOSE DIMENSIONS ARE FOR REFERENCE ONLY.
 6. DESIGN GUIDELINE AND OTHER REQUIREMENTS ARE SHOWN IN 「INSTALLATION AND USE INSTRUCTION MANUAL (ETAD-F0265)」.

1	PBT	BLACK UL94V-0	2	GLASS-BASE EPOXY (FR4)	CONTACT AREA: Ni3μm + Au0.05μm
NO.	MATERIAL	FINISH . REMARKS	NO.	MATERIAL	FINISH . REMARKS
UNITS mm		SCALE 3 : 1	COUNT	DESCRIPTION OF REVISIONS	DESIGNED
HRS HIROSE ELECTRIC CO., LTD.		APPROVED : TM. MATSUO	18.06.11	DRAWING NO.	EDC-153724-00-00
		CHECKED : MK. EZAKI	18.06.07	PART NO.	IT1-168P/28-30H
		DESIGNED : AS. MATSUZAWA	18.06.07	CODE NO.	CL641-0303-7-00
		DRAWN : AS. MATSUZAWA	18.06.07		

Jun.1.2019 Copyright 2019 HIROSE ELECTRIC CO., LTD. All Rights Reserved.
 In case of consideration for using Automotive equipment / device which demand high reliability, kindly contact our sales window correspondents.

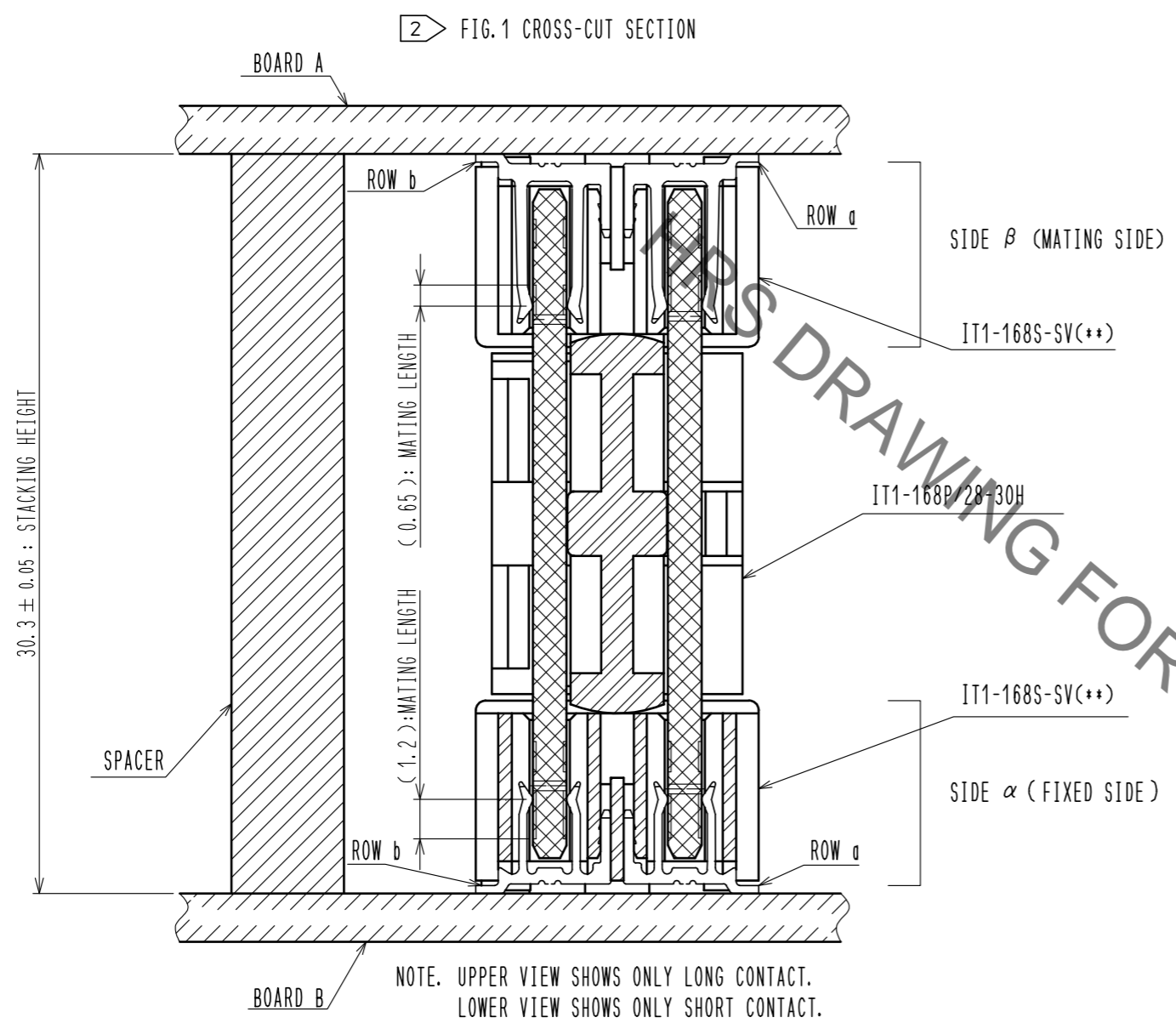


TABLE.1 α-β PIN ASSIGNMENT (FOR ROW a AND ROW b)

ROW a				ROW b			
	α - β		α - β		α - β		α - β
SIGNAL	a 1 - a 84	SIGNAL	a 44 - a 41	SIGNAL	b 1 - b 84	SIGNAL	b 44 - b 41
	a 2 - a 83				b 2 - b 83		
	a 3 - a 82				b 3 - b 82		
	a 4 - a 81				b 4 - b 81		
	a 5 - a 80				b 5 - b 80		b 53 - b 32
GROUND	a 6 - a 79	GROUND	a 54 - a 31	GROUND	b 6 - b 79	GROUND	b 54 - b 31
	a 7 - a 78		a 55 - a 30		b 7 - b 78		b 55 - b 30
SIGNAL	a 8 - a 77	SIGNAL	a 56 - a 29	SIGNAL	b 8 - b 77	SIGNAL	b 56 - b 29
GROUND	a 17 - a 68	GROUND	a 65 - a 20	GROUND	b 17 - b 68	GROUND	b 65 - b 20
	a 18 - a 67		a 66 - a 19		b 18 - b 67		b 66 - b 19
	a 19 - a 66		a 67 - a 18		b 19 - b 66		b 67 - b 18
SIGNAL	a 20 - a 65	SIGNAL	a 68 - a 17	SIGNAL	b 20 - b 65	SIGNAL	b 68 - b 17
GROUND	a 29 - a 56	GROUND	a 77 - a 8	GROUND	b 29 - b 56	GROUND	b 77 - b 8
	a 30 - a 55		a 78 - a 7		b 30 - b 55		b 78 - b 7
	a 31 - a 54		a 79 - a 6		b 31 - b 54		b 79 - b 6
SIGNAL	a 32 - a 53	SIGNAL	a 80 - a 5	SIGNAL	b 32 - b 53	SIGNAL	b 80 - b 5
			a 81 - a 4				b 81 - b 4
			a 82 - a 3				b 82 - b 3
			a 83 - a 2				b 83 - b 2
GROUND	a 41 - a 44	GROUND	a 84 - a 1	GROUND	b 41 - b 44	GROUND	b 84 - b 1
	a 42 - a 43				b 42 - b 43		
	a 43 - a 42				b 43 - b 42		

HRS	DRAWING NO.	EDC-153724-00-00
	PART NO.	IT1-168P/28-30H
	CODE NO.	CL641-0303-7-00

2/2

X-ON Electronics

Largest Supplier of Electrical and Electronic Components

Click to view similar products for [Board to Board & Mezzanine Connectors](#) category:

Click to view products by [Hirose](#) manufacturer:

Other Similar products are found below :

[589158040000018](#) [MDF7C-18P-2.54DSA\(55\)](#) [FCN-230C068-11](#) [FCN-268F012-G/BD](#) [FCN-268F036-G/BD](#) [FCN-268M012-G/0D](#) [FCN-268M024-G/1D](#) [FCN-723J004/1](#) [MIS-048-01-F-D-DP-K](#) [832-10-034-10-001000](#) [FX4C-80S-1.27DSA](#) [FCN-214Q030-G/0](#) [FCN-234P048-G/0](#) [FCN-235D050-G/C](#) [210-93-314-41-105000](#) [2-22603-0](#) [MDF7-40DP-2.54DSA\(55\)](#) [AXG720047](#) [MIT-114-03-F-D-K](#) [55323-1519](#) [DF33-2P-3.3DSA\(24\)](#) [YFT-20-05-H-03-SB-K](#) [503308-3040](#) [026-6203-PDB](#) [027-6203-PDB](#) [069159702701000](#) [10123981-102LF](#) [101A10019X](#) [55650-0588-C](#) [68682-310LF](#) [68684-306](#) [75140-7012](#) [87471-650](#) [YTW-30-07-H-Q-410-140](#) [FCN-268F024-G0D](#) [10124054-515LF](#) [68685-603](#) [8-1616154-3](#) [MIS-019-01-F-D](#) [FCN-268M024-G/3D](#) [FCN-268M036-G/BD](#) [20021832-06016C1LF](#) [KX15-20KLDL-E1000E](#) [AXE810124](#) [FCN-214J100-G/0](#) [FCN-230C068-E/S](#) [AXE812124](#) [AXE816124](#) [AXE720127](#) [354184](#)