

COUNT	DESCRIPTION OF REVISIONS	BY	CHKD	DATE	COUNT	DESCRIPTION OF REVISIONS	BY	CHKD	DATE
△					△				
△					△				
△					△				

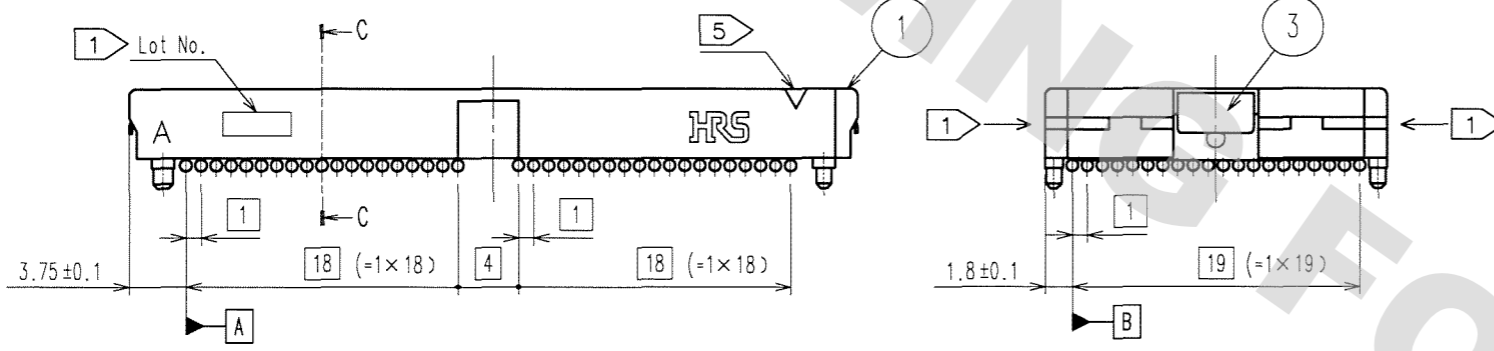
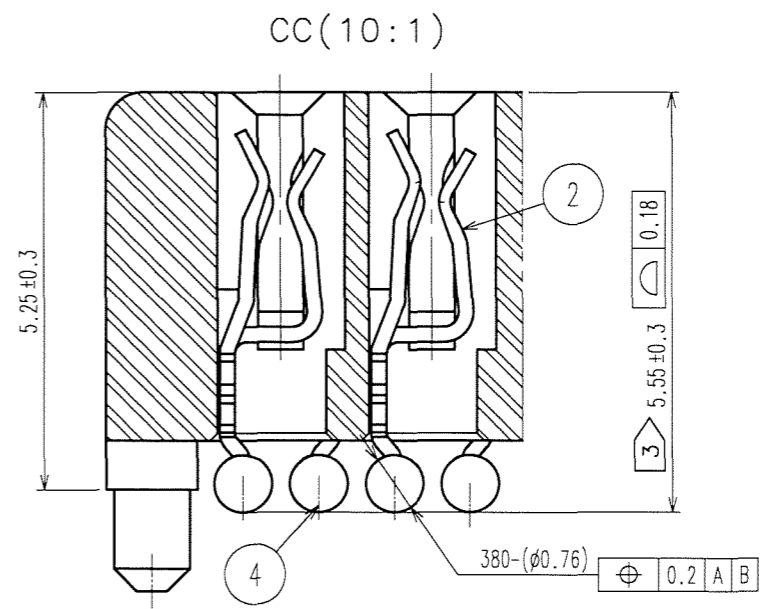
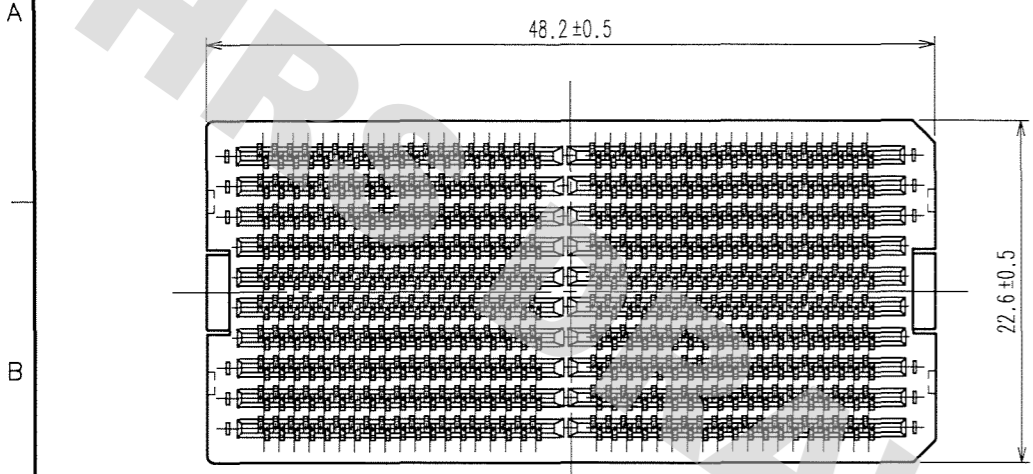
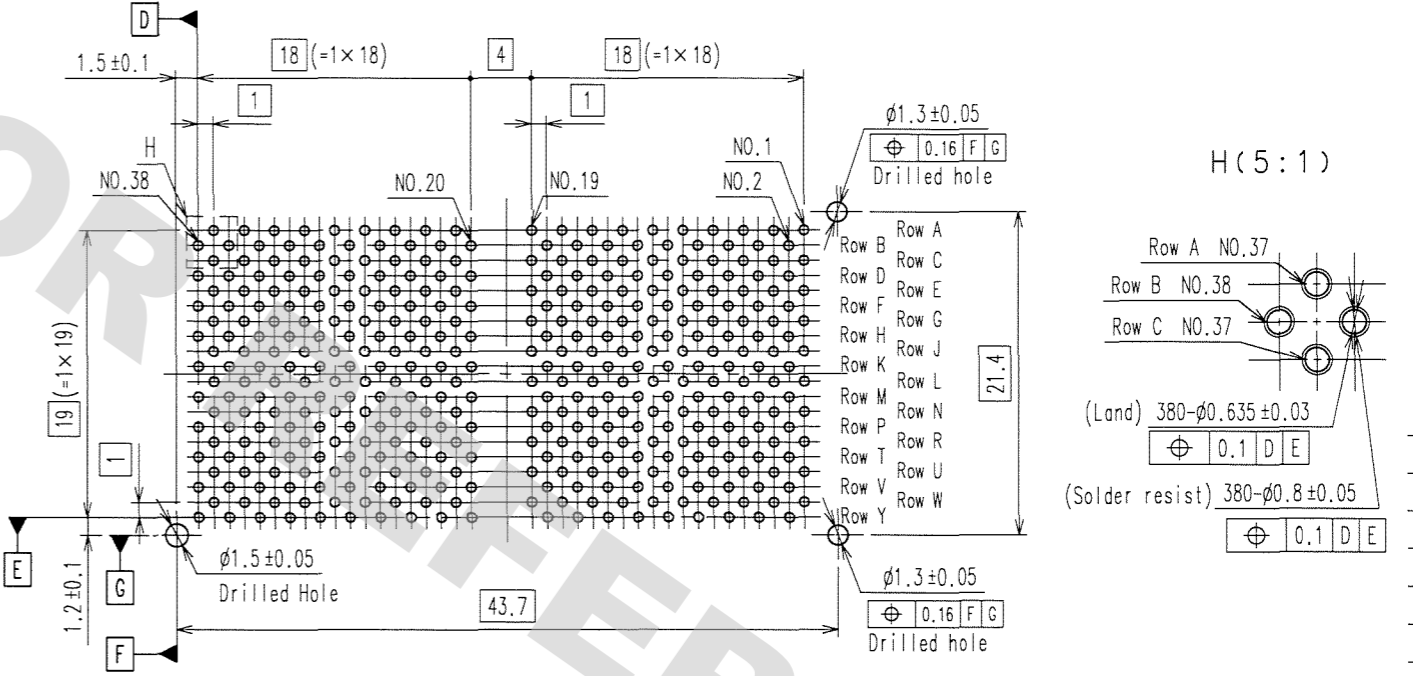
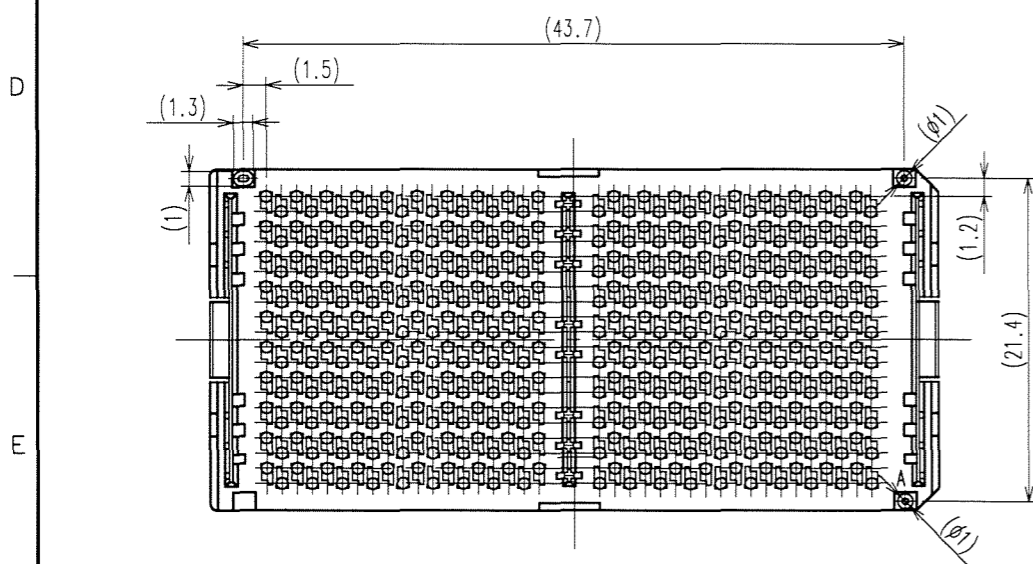


FIG.1 Recommended Land Pattern (2:1)
(Top view of PCboard)



2	PHOSPHOR BRONZE	CONTACT AREA : NICKEL(1.5μm)+GOLD(0.2μm)	4	TIN	Sn-Ag(3.0)-Cu(0.5)
1	LCP	BLACK, UL94V-0	3	PHOSPHOR BRONZE	TIN PLATING
NO.	MATERIAL	FINISH, REMARKS	NO.	MATERIAL	FINISH, REMARKS

CODE NO. (OLD) CL	DRAWN H.Saitou 07.01.25	DESIGNED H.Saitou 07.01.25	CHECKED J.Tomita 07.01.29	APPROVED K.Suzuki 07.01.29	RELEASED
----------------------	-------------------------------	----------------------------------	---------------------------------	----------------------------------	----------

SCALE 2 : 1	DRAWING NO. EDC3-154422-10	PART NO. IT2-380S-BGA
UNITS mm	HRS HIROSE ELECTRIC CO., LTD	CODE NO. CL641-2001-9

- NOTE.
- Lot no. be marked on either side of the connector.
 - Recommended land pattern of IT2-380S-BGA be shown in the FIG.1 .
 - Solder balls' co-planarity of IT2-380S-BGA be 0.18mm max.
 - Details are shown in 『IT2 Design Guideline:ETAD-F0276』 .
 - Guide marks are depressed on receptacle sockets and interposer assemblies for alignment. The closest contact to the guide mark of this product is 'Row W_1'

DRAWING FOR REFERENCE: This is subject to change without notice
08/11/2012

TO
PCK

X-ON Electronics

Largest Supplier of Electrical and Electronic Components

Click to view similar products for [Board to Board & Mezzanine Connectors](#) category:

Click to view products by [Hirose](#) manufacturer:

Other Similar products are found below :

[589158040000018](#) [MDF7C-18P-2.54DSA\(55\)](#) [FCN-230C068-11](#) [FCN-268F012-G/BD](#) [FCN-268F036-G/BD](#) [FCN-268M012-G/0D](#) [FCN-268M024-G/1D](#) [FCN-723J004/1](#) [MIS-048-01-F-D-DP-K](#) [832-10-034-10-001000](#) [FX4C-80S-1.27DSA](#) [FCN-214Q030-G/0](#) [FCN-234P048-G/0](#) [FCN-235D050-G/C](#) [210-93-314-41-105000](#) [2-22603-0](#) [MDF7-40DP-2.54DSA\(55\)](#) [AXG720047](#) [MIT-114-03-F-D-K](#) [55323-1519](#) [DF33-2P-3.3DSA\(24\)](#) [YFT-20-05-H-03-SB-K](#) [503308-3040](#) [026-6203-PDB](#) [027-6203-PDB](#) [069159702701000](#) [10123981-102LF](#) [101A10019X](#) [55650-0588-C](#) [68682-310LF](#) [68684-306](#) [75140-7012](#) [87471-650](#) [YTW-30-07-H-Q-410-140](#) [FCN-268F024-G0D](#) [10124054-515LF](#) [68685-603](#) [8-1616154-3](#) [MIS-019-01-F-D](#) [FCN-268M024-G/3D](#) [FCN-268M036-G/BD](#) [20021832-06016C1LF](#) [KX15-20KLDL-E1000E](#) [AXE810124](#) [FCN-214J100-G/0](#) [FCN-230C068-E/S](#) [AXE812124](#) [AXE816124](#) [AXE720127](#) [354184](#)